

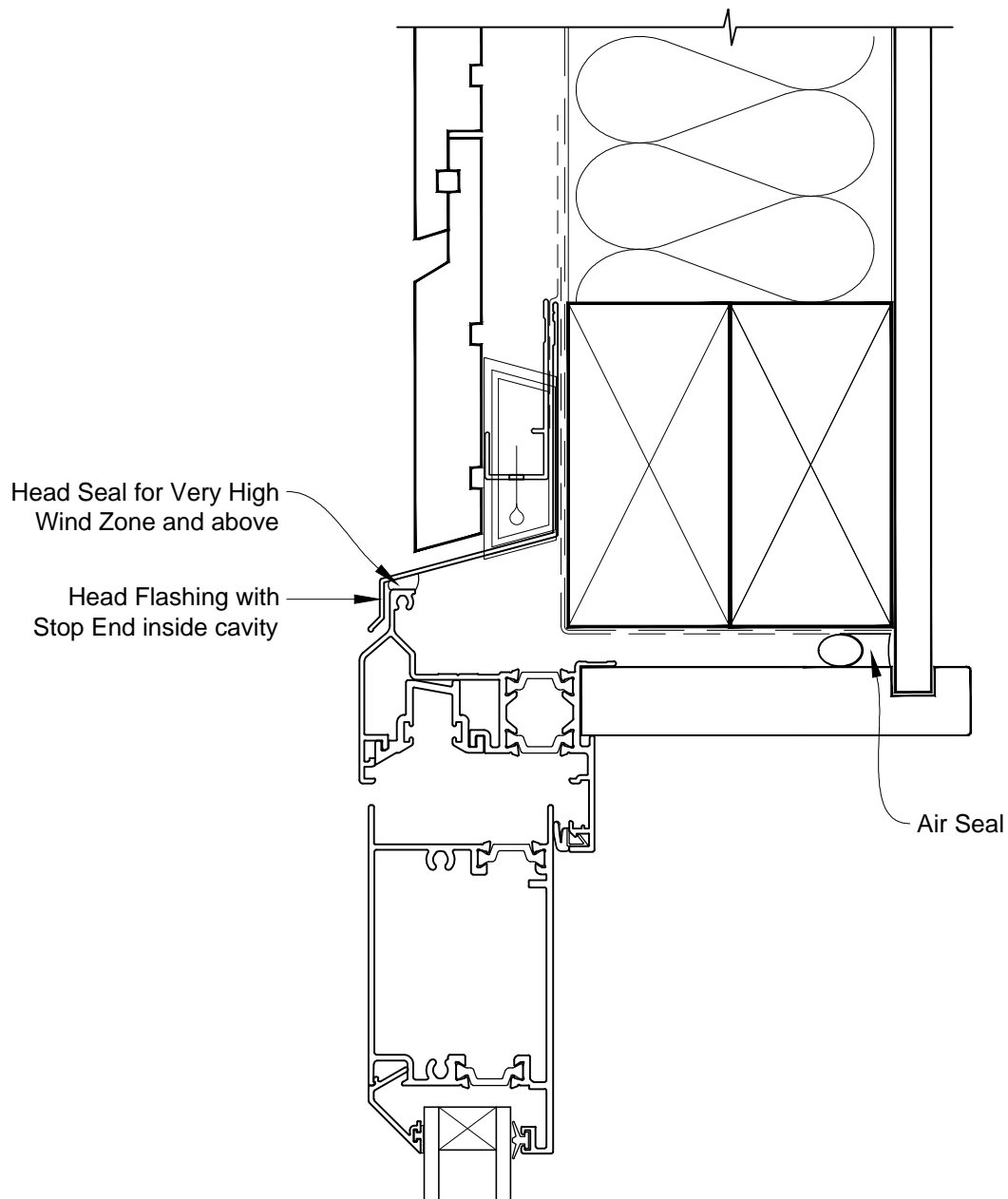


# INSTALLATION DETAIL - VANTAGE RESIDENTIAL THERMAL HEART - BIFOLD DOOR OPEN OUT ON RUSTICATED WEATHERBOARD - CAVITY CONSTRUCTION

Date: 01.03.14

Scale: 1:2

CAD Ref.: VTBDRW-CH



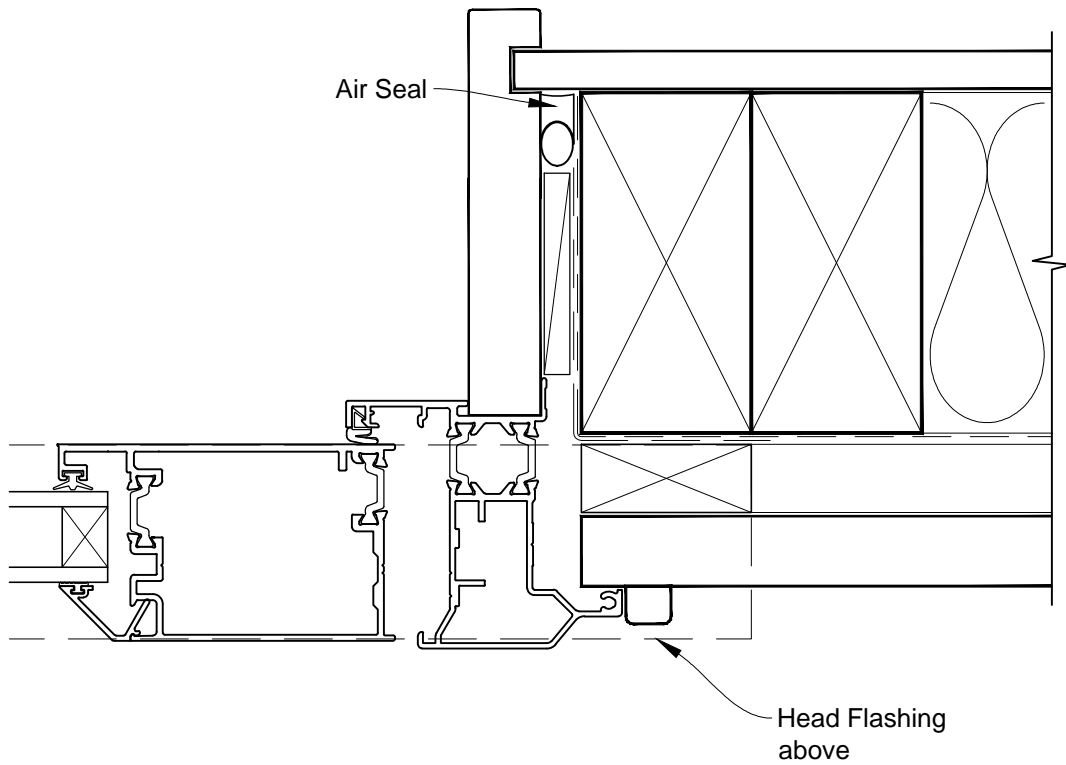


# INSTALLATION DETAIL - VANTAGE RESIDENTIAL THERMAL HEART - BIFOLD DOOR OPEN OUT ON RUSTICATED WEATHERBOARD - CAVITY CONSTRUCTION

Date: 01.03.14

Scale: 1:2

CAD Ref.: VTBDRW-CJ



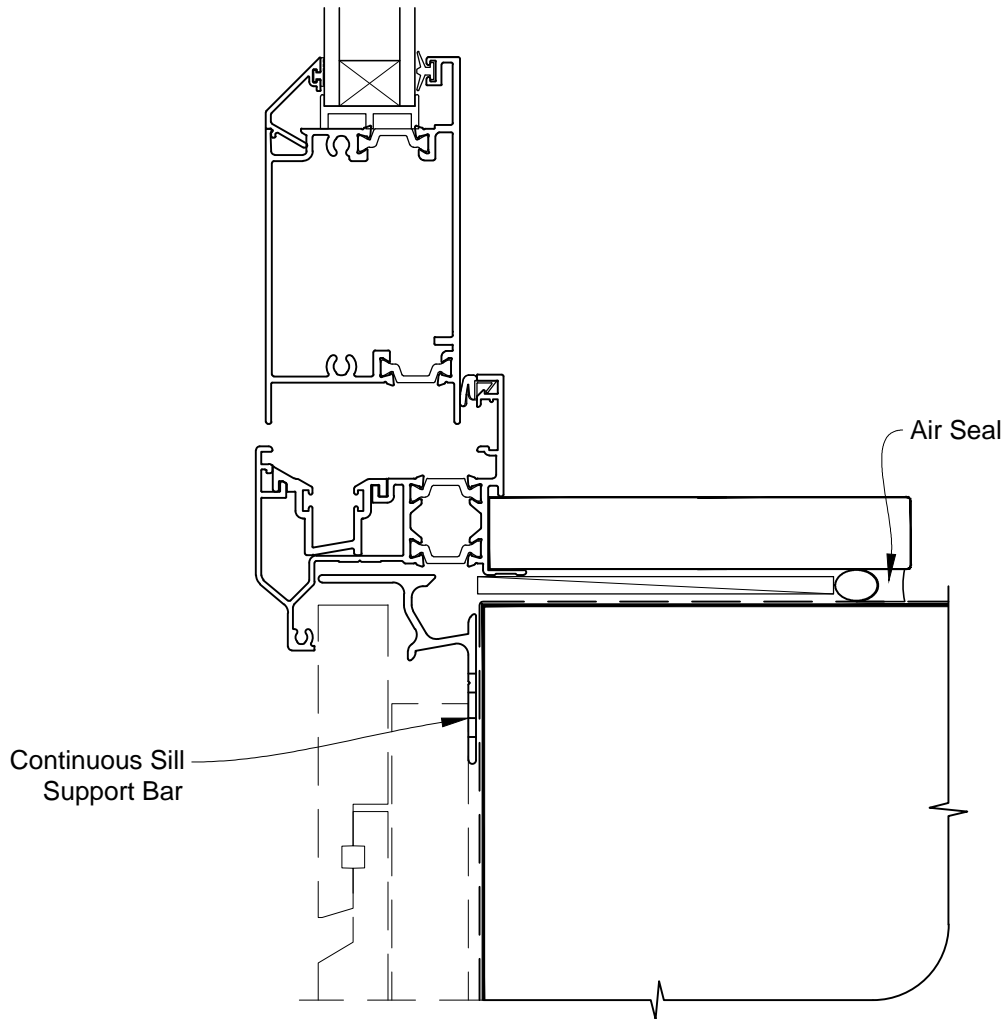


# INSTALLATION DETAIL - VANTAGE RESIDENTIAL THERMAL HEART - BIFOLD DOOR OPEN OUT ON RUSTICATED WEATHERBOARD - CAVITY CONSTRUCTION

Date: 01.03.14

Scale: 1:2

CAD Ref.: VTBDRW-CS



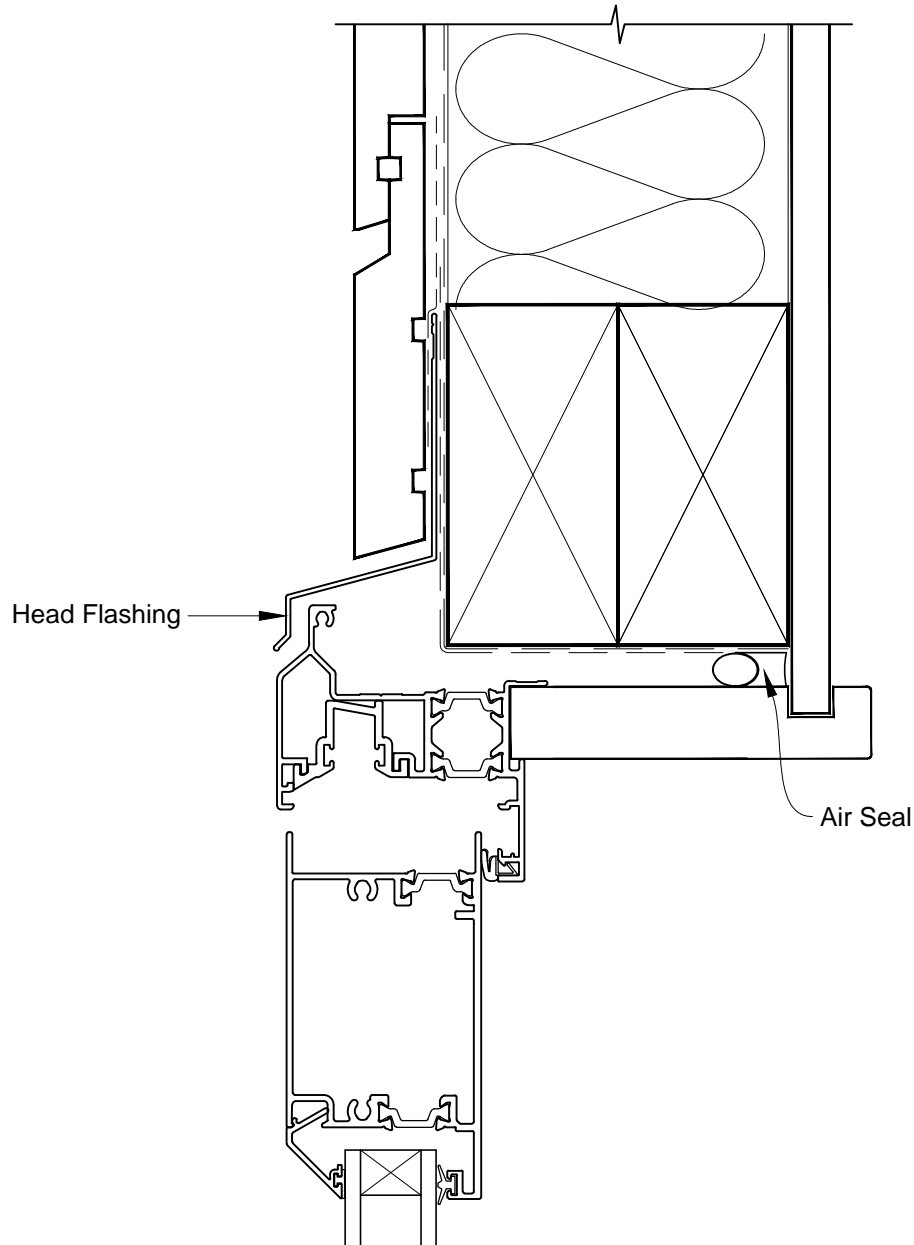


# INSTALLATION DETAIL - VANTAGE RESIDENTIAL THERMAL HEART - BIFOLD DOOR OPEN OUT ON RUSTICATED WEATHERBOARD - DIRECT FIXED CLADDING

Date: 01.03.14

Scale: 1:2

CAD Ref.: VTBDRW-DH



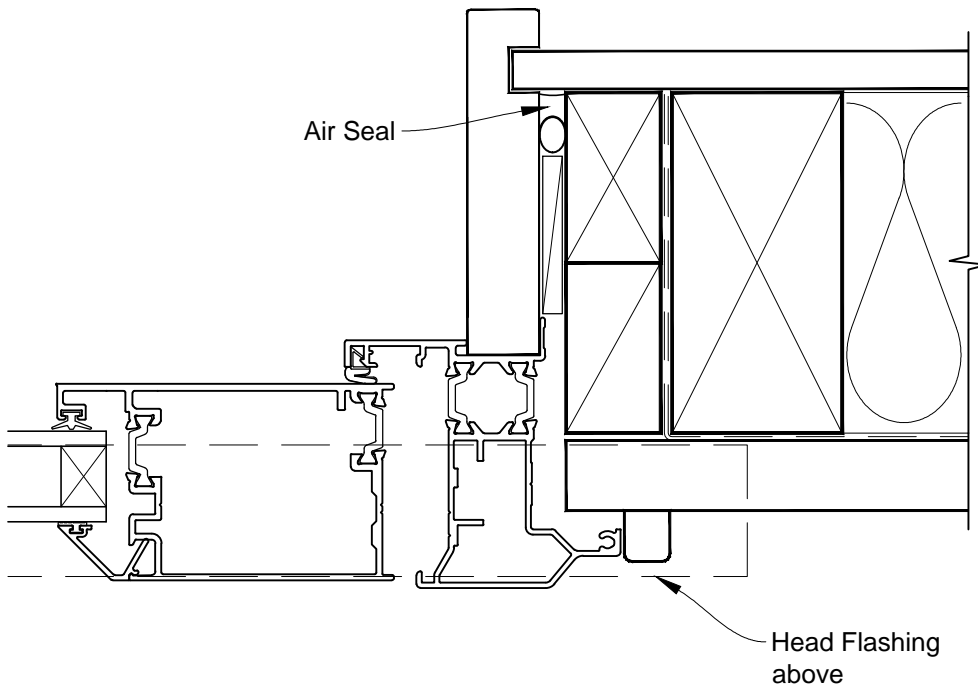


**INSTALLATION DETAIL - VANTAGE RESIDENTIAL THERMAL  
HEART - BIFOLD DOOR OPEN OUT ON RUSTICATED  
WEATHERBOARD - DIRECT FIXED CLADDING**

Date: 01.03.14

Scale: 1:2

CAD Ref.: VTBDRW-DJ





# INSTALLATION DETAIL - VANTAGE RESIDENTIAL THERMAL HEART - BIFOLD DOOR OPEN OUT ON RUSTICATED WEATHERBOARD - DIRECT FIXED CLADDING

Date: 01.03.14

Scale: 1:2

CAD Ref.: VTBDRW-DS

