

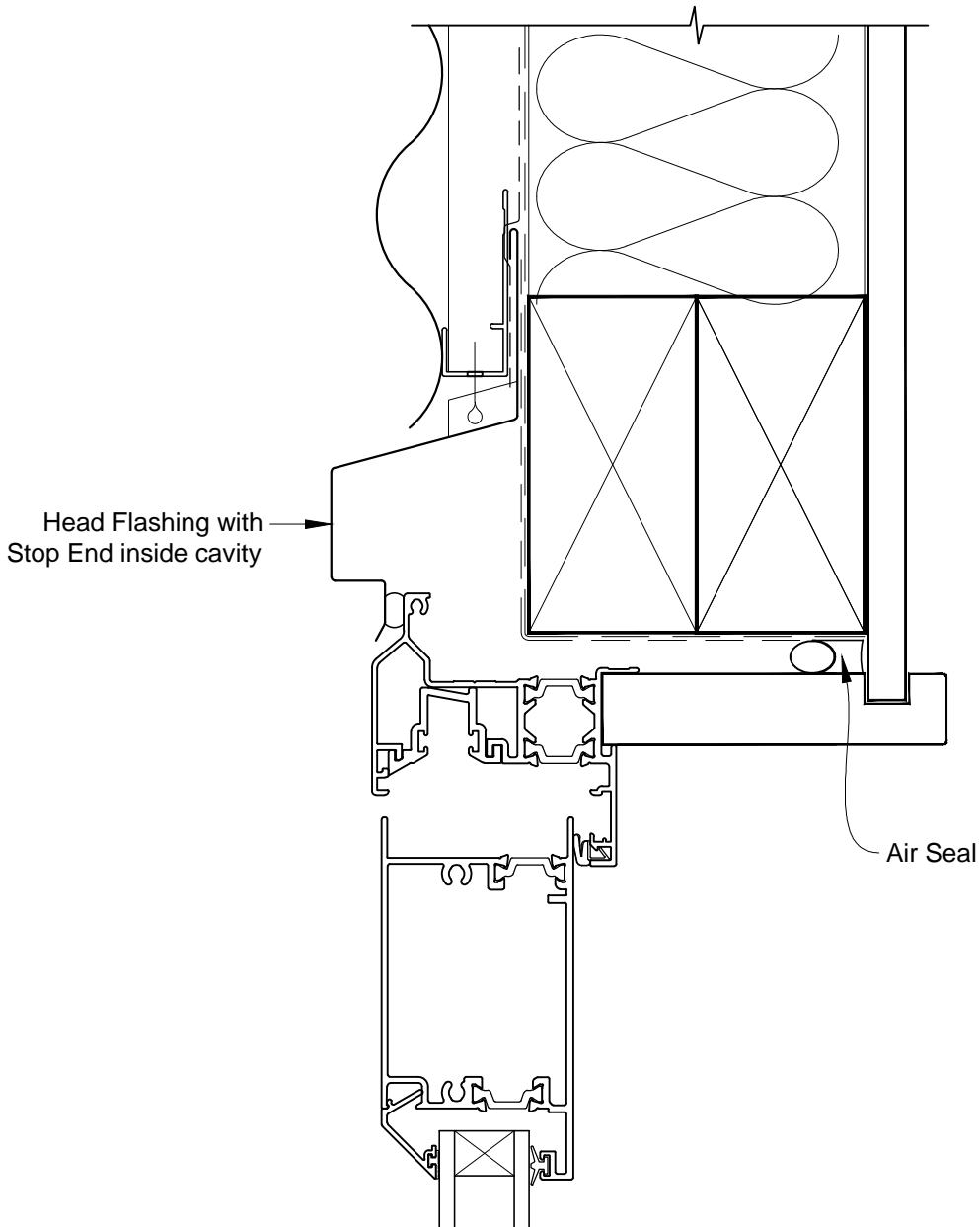


INSTALLATION DETAIL - VANTAGE RESIDENTIAL THERMAL HEART - BIFOLD DOOR OPEN OUT ON PROFILE METAL CAVITY CONSTRUCTION

Date: 01.03.14

Scale: 1:2

CAD Ref.: VTBDPM-CH



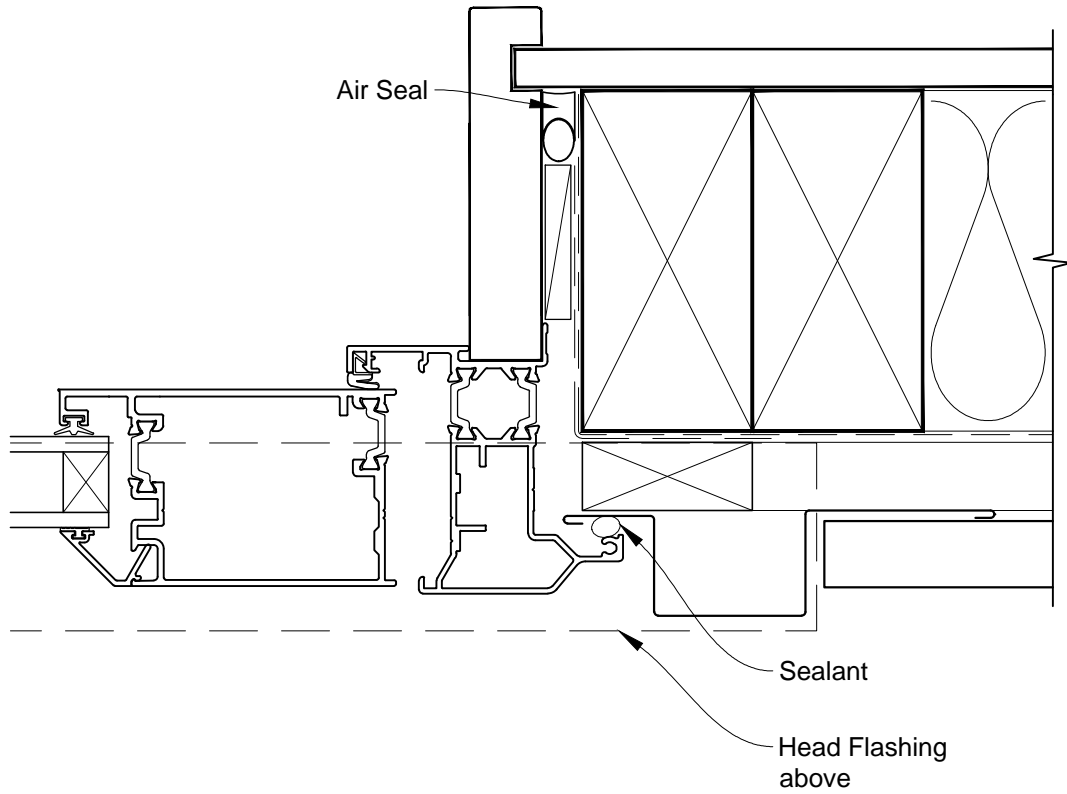


INSTALLATION DETAIL - VANTAGE RESIDENTIAL THERMAL HEART - BIFOLD DOOR OPEN OUT ON PROFILE METAL CAVITY CONSTRUCTION

Date: 01.03.14

Scale: 1:2

CAD Ref.: VTBDPM-CJ



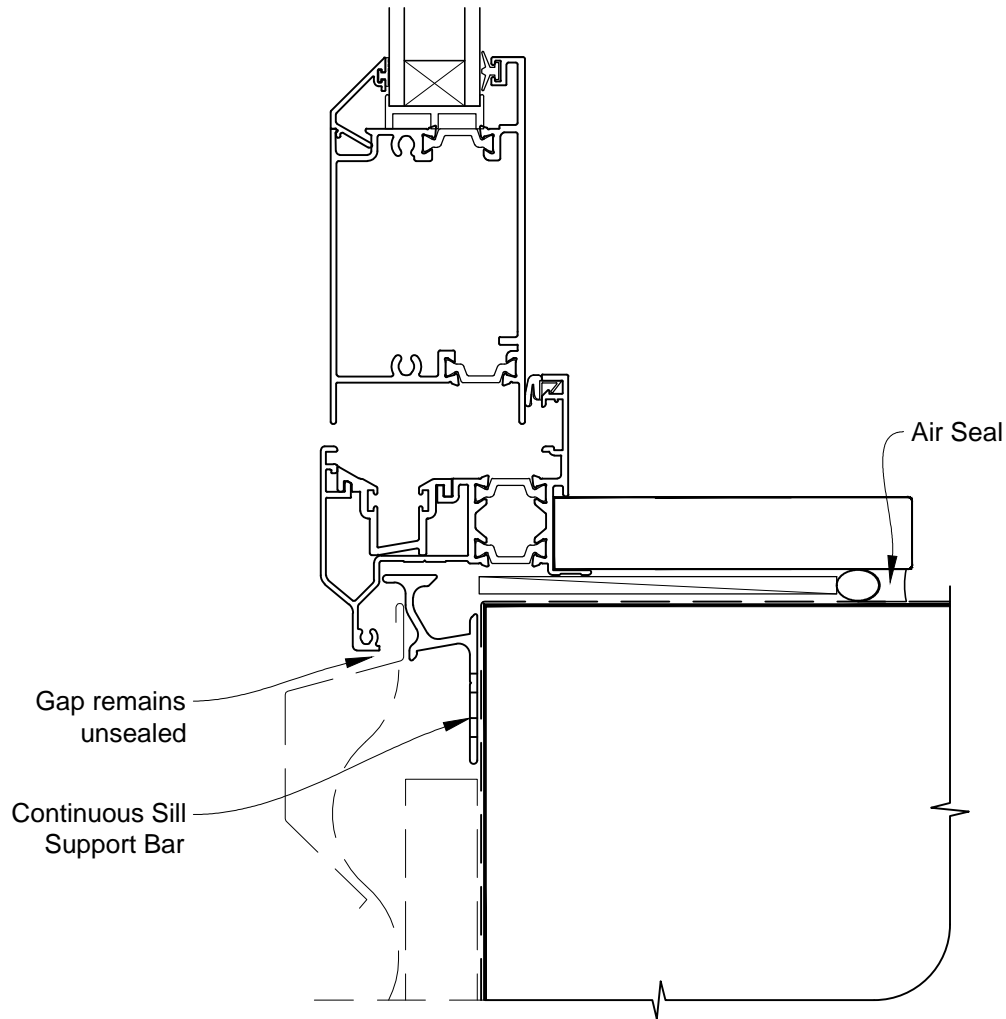


INSTALLATION DETAIL - VANTAGE RESIDENTIAL THERMAL HEART - BIFOLD DOOR OPEN OUT ON PROFILE METAL CAVITY CONSTRUCTION

Date: 01.03.14

Scale: 1:2

CAD Ref.: VTBDPM-CS



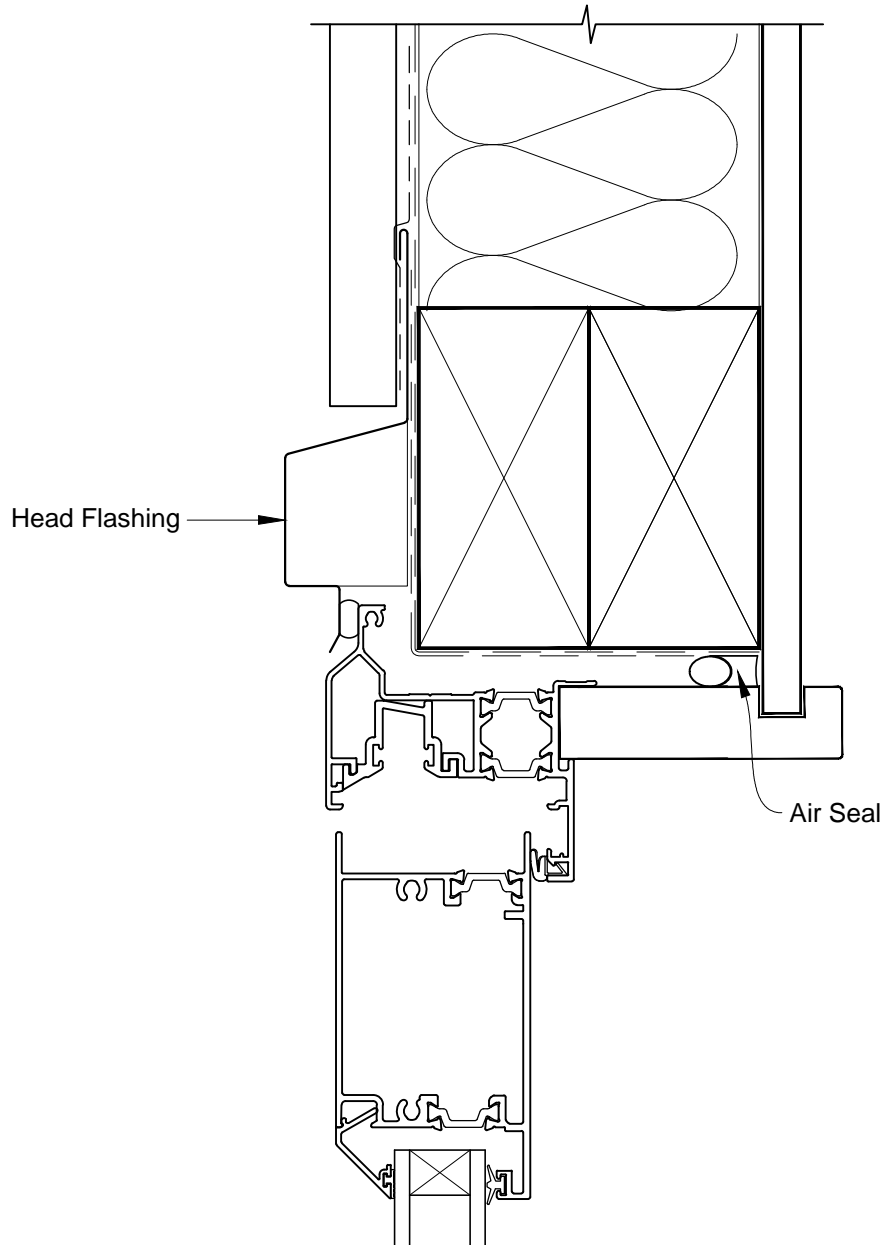


INSTALLATION DETAIL - VANTAGE RESIDENTIAL THERMAL HEART - BIFOLD DOOR OPEN OUT ON PROFILE METAL DIRECT FIXED CLADDING

Date: 01.03.14

Scale: 1:2

CAD Ref.: VTBDPM-DH



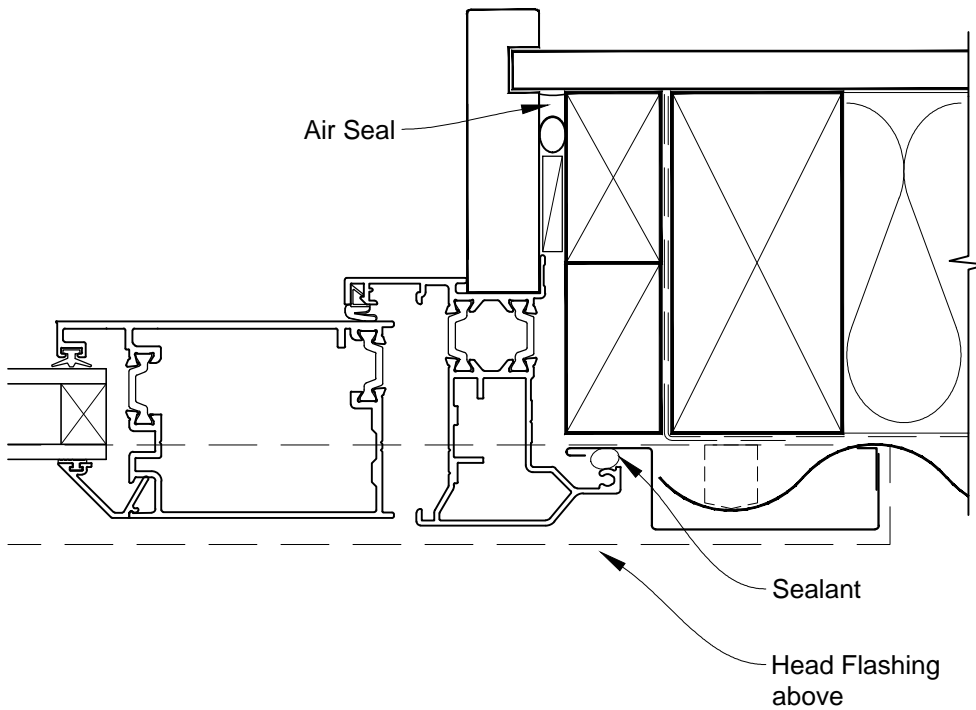


INSTALLATION DETAIL - VANTAGE RESIDENTIAL THERMAL HEART - BIFOLD DOOR OPEN OUT ON PROFILE METAL DIRECT FIXED CLADDING

Date: 01.03.14

Scale: 1:2

CAD Ref.: VTBDPM-DJ





INSTALLATION DETAIL - VANTAGE RESIDENTIAL THERMAL HEART - BIFOLD DOOR OPEN OUT ON PROFILE METAL DIRECT FIXED CLADDING

Date: 01.03.14

Scale: 1:2

CAD Ref.: VTBDPM-DS

