

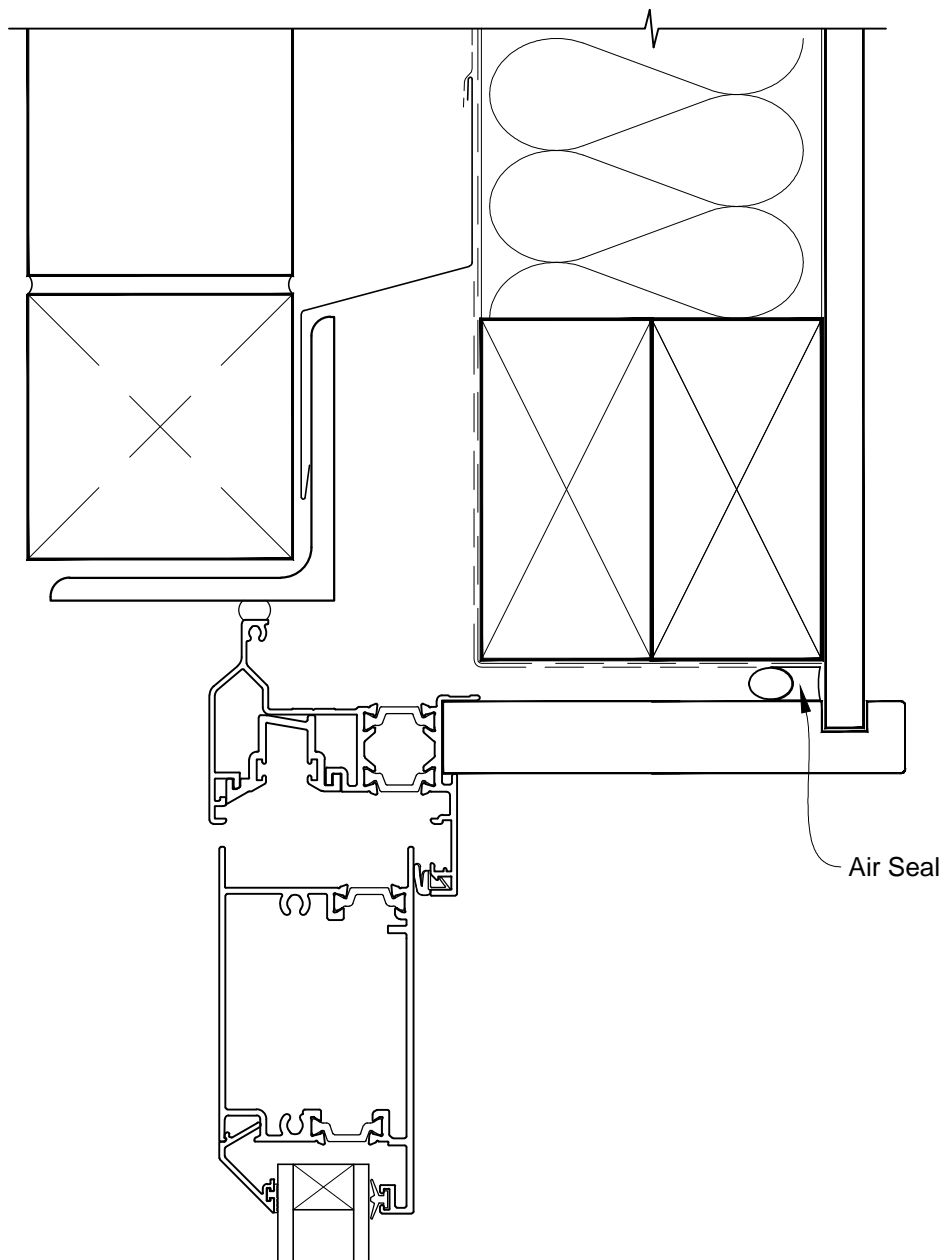


# INSTALLATION DETAIL - VANTAGE RESIDENTIAL THERMAL HEART - BIFOLD DOOR OPEN OUT DOOR ON BRICK VENEER CAVITY CONSTRUCTION

Date: 01.03.14

Scale: 1:2

CAD Ref.: VTBDBV-CH



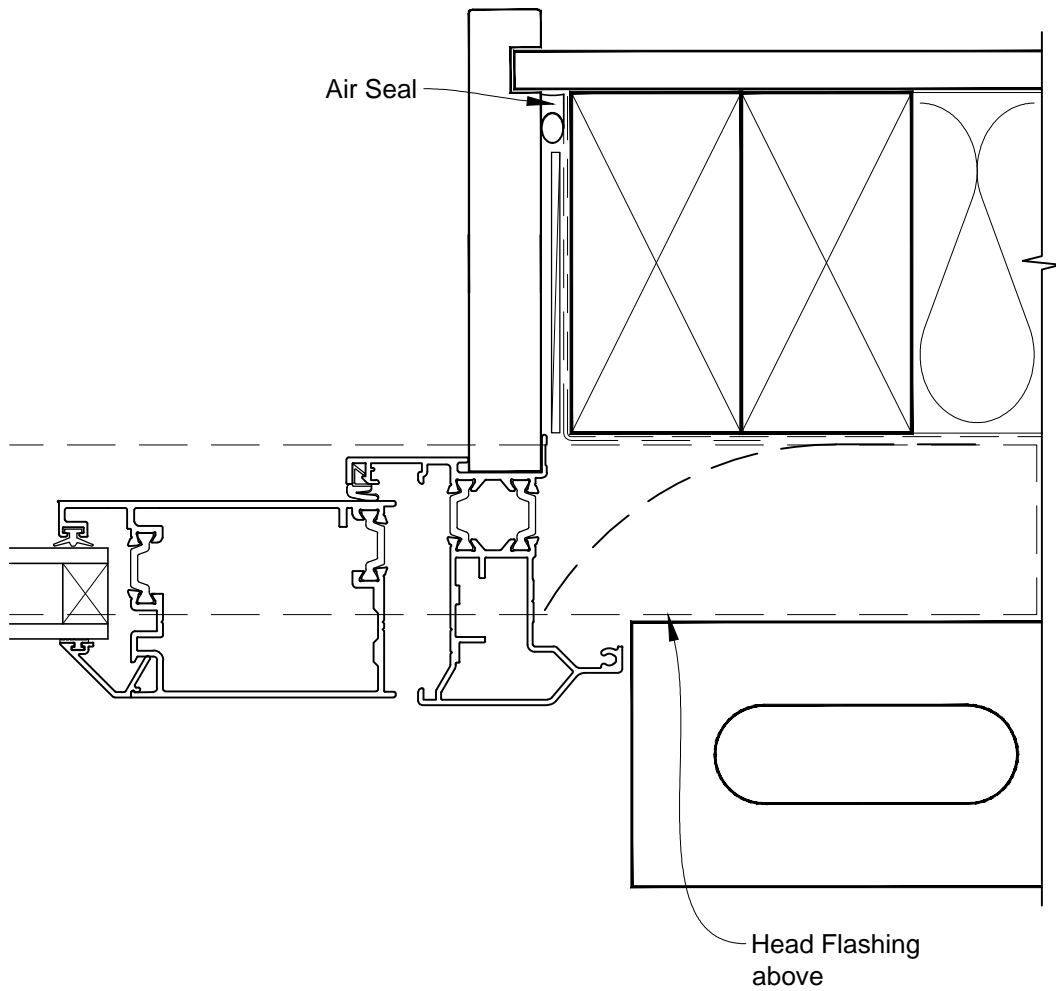


# INSTALLATION DETAIL - VANTAGE RESIDENTIAL THERMAL HEART - BIFOLD DOOR OPEN OUT DOOR ON BRICK VENEER CAVITY CONSTRUCTION

Date: 01.03.14

Scale: 1:2

CAD Ref.: VTBDBV-CJ





# INSTALLATION DETAIL - VANTAGE RESIDENTIAL THERMAL HEART - BIFOLD DOOR OPEN OUT DOOR ON BRICK VENEER CAVITY CONSTRUCTION

Date: 01.03.14

Scale: 1:2

CAD Ref.: VTBDBV-CS

