

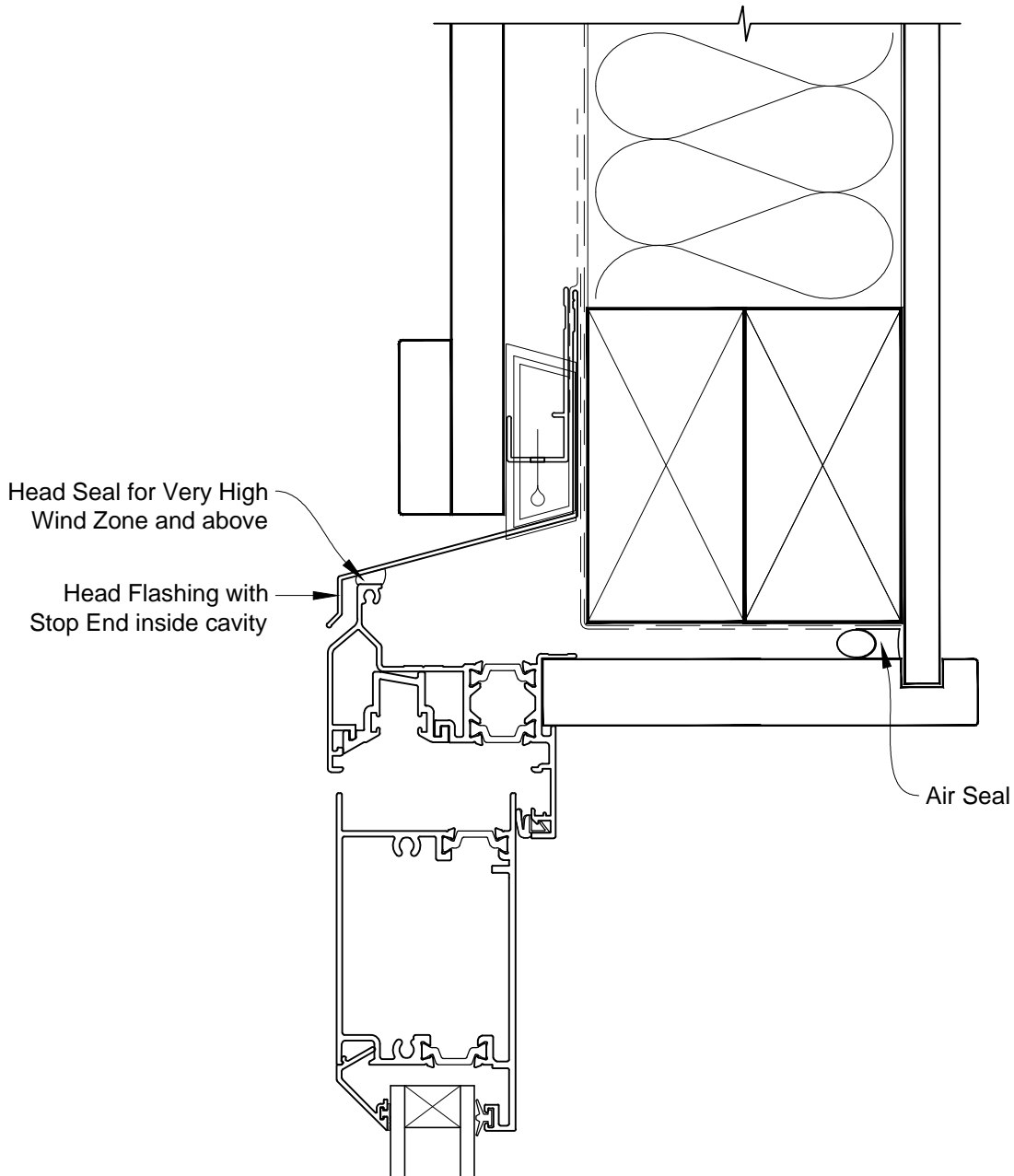


INSTALLATION DETAIL - VANTAGE RESIDENTIAL THERMAL HEART - BIFOLD DOOR OPEN OUT DOOR ON BOARD & BATTEN CAVITY CONSTRUCTION

Date: 01.03.14

Scale: 1:2

CAD Ref.: VTBDBB-CH



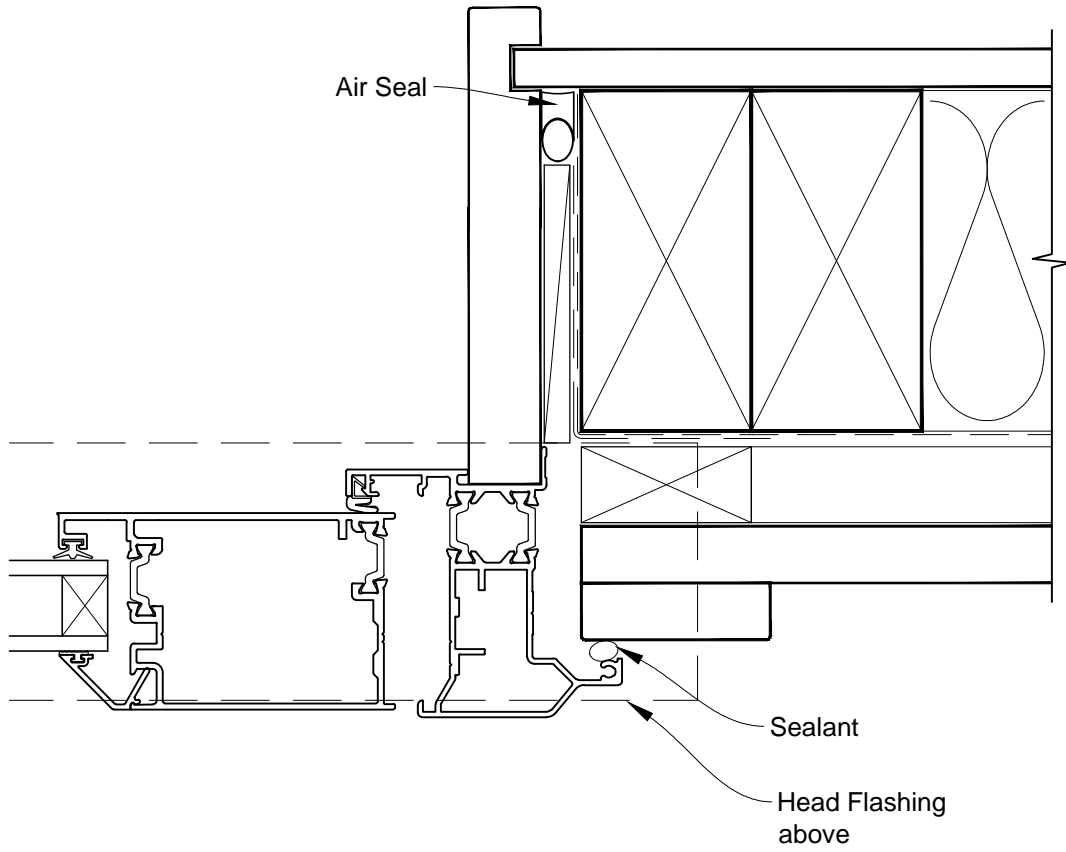


INSTALLATION DETAIL - VANTAGE RESIDENTIAL THERMAL HEART - BIFOLD DOOR OPEN OUT DOOR ON BOARD & BATTEN CAVITY CONSTRUCTION

Date: 01.03.14

Scale: 1:2

CAD Ref.: VTBDBB-CJ



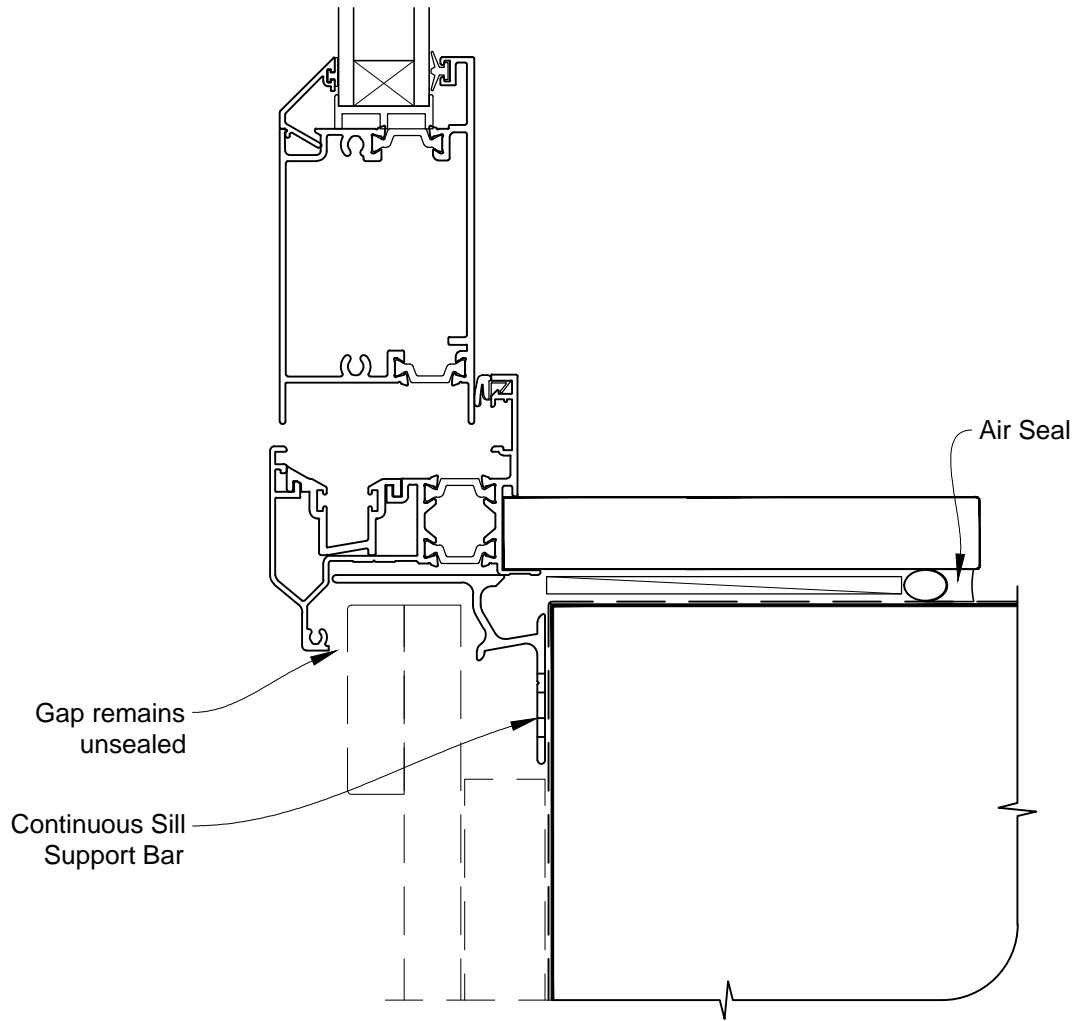


INSTALLATION DETAIL - VANTAGE RESIDENTIAL THERMAL HEART - BIFOLD DOOR OPEN OUT DOOR ON BOARD & BATTEN CAVITY CONSTRUCTION

Date: 01.03.14

Scale: 1:2

CAD Ref.: VTBDBB-CS



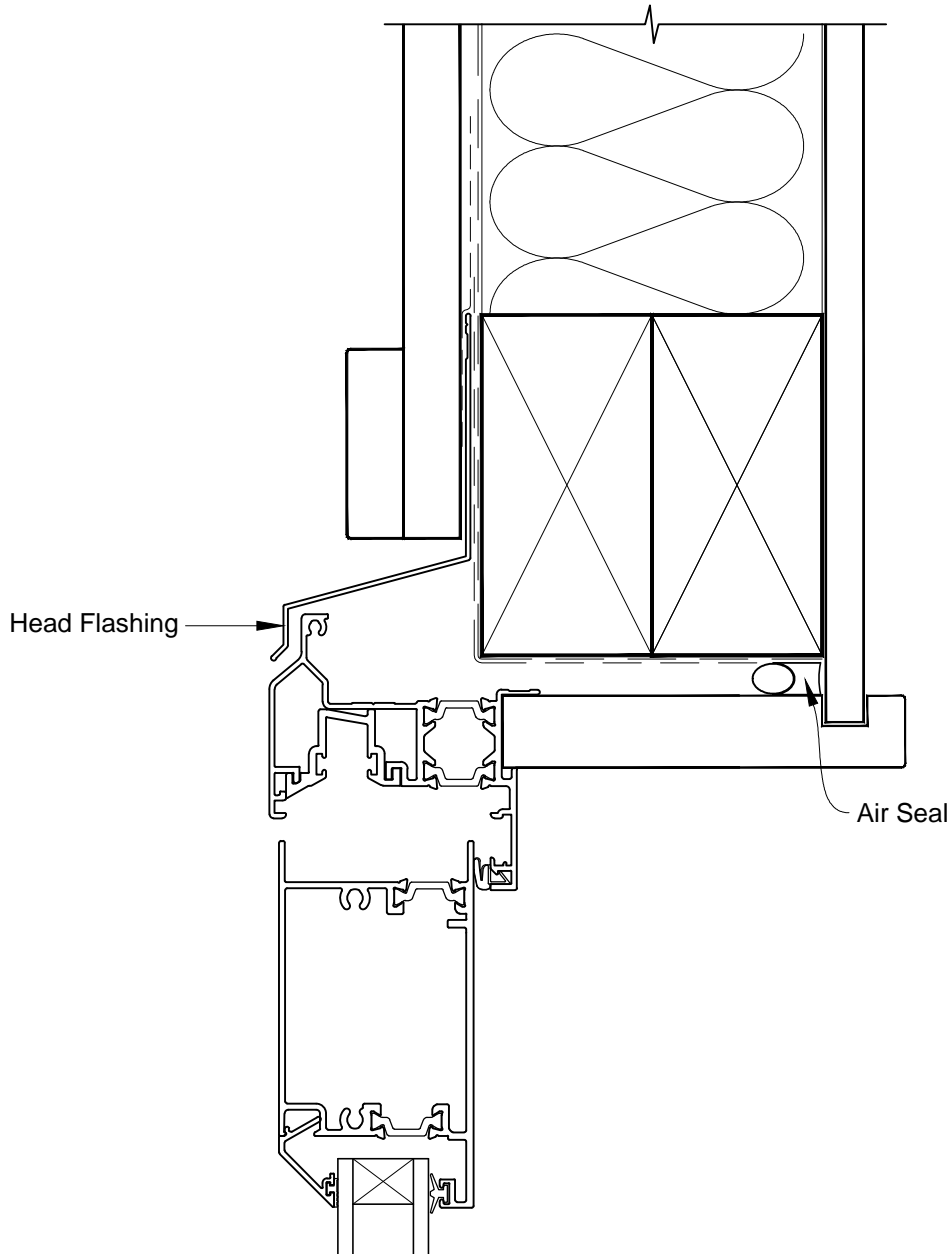


INSTALLATION DETAIL - VANTAGE RESIDENTIAL THERMAL HEART - BIFOLD DOOR OPEN OUT DOOR ON BOARD & BATTEN DIRECT FIXED CLADDING

Date: 01.03.14

Scale: 1:2

CAD Ref.: VTBDBB-DH



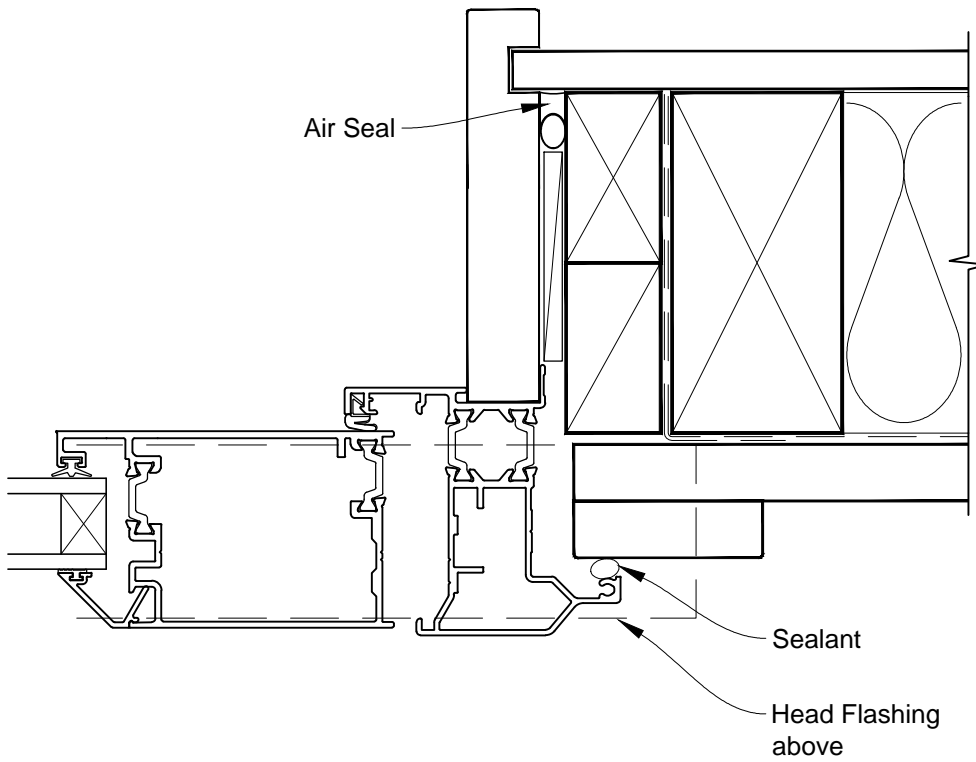


INSTALLATION DETAIL - VANTAGE RESIDENTIAL THERMAL HEART - BIFOLD DOOR OPEN OUT DOOR ON BOARD & BATTEN DIRECT FIXED CLADDING

Date: 01.03.14

Scale: 1:2

CAD Ref.: VTBDBB-DJ





INSTALLATION DETAIL - VANTAGE RESIDENTIAL THERMAL HEART - BIFOLD DOOR OPEN OUT DOOR ON BOARD & BATTEN DIRECT FIXED CLADDING

Date: 01.03.14

Scale: 1:2

CAD Ref.: VTBDBB-DS

