

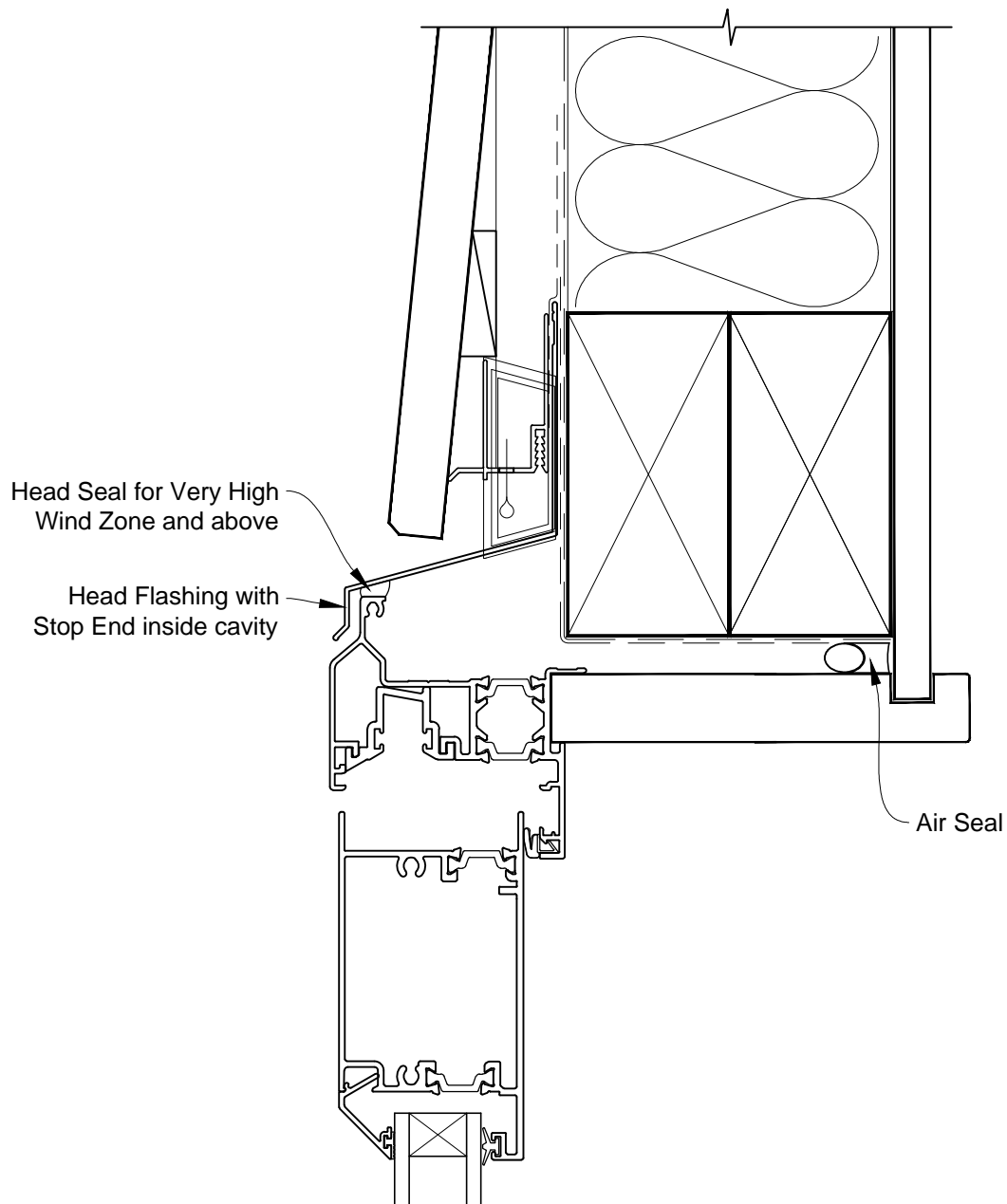


INSTALLATION DETAIL - VANTAGE RESIDENTIAL THERMAL HEART - BIFOLD DOOR OPEN OUT ON BEVELBACK WEATHERBOARD - CAVITY CONSTRUCTION

Date: 01.03.14

Scale: 1:2

CAD Ref.: VTBDBW-CH



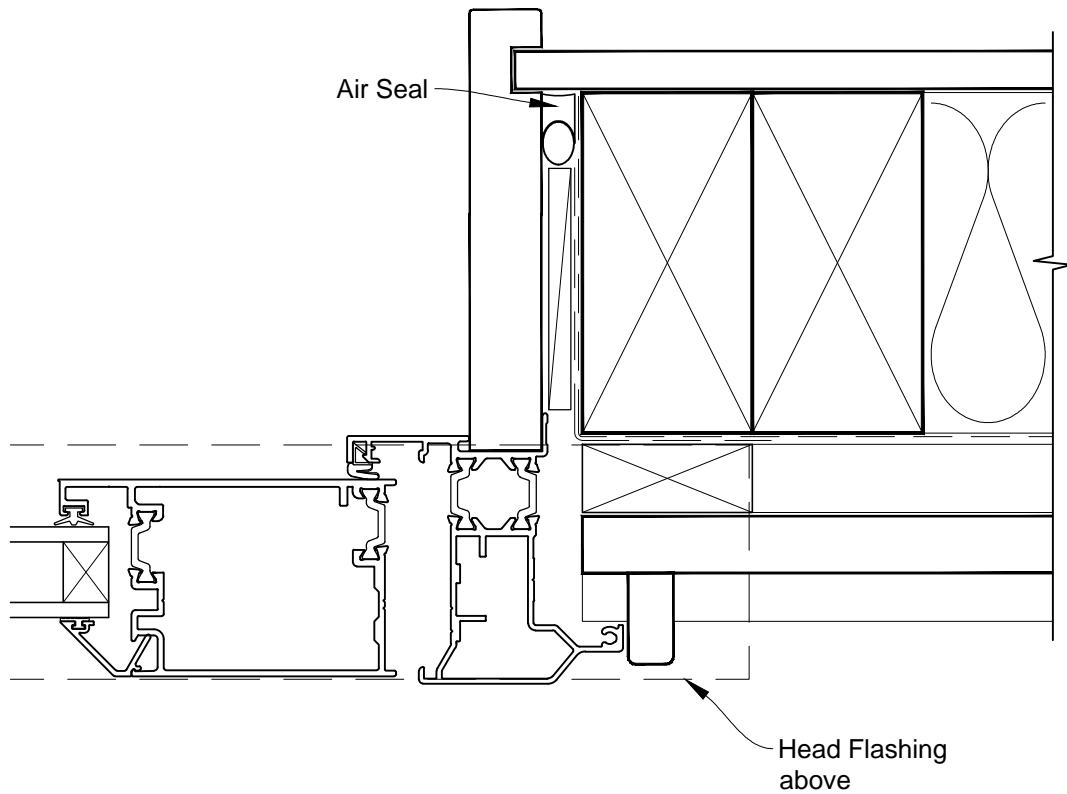


**INSTALLATION DETAIL - VANTAGE RESIDENTIAL THERMAL
HEART - BIFOLD DOOR OPEN OUT ON BEVELBACK
WEATHERBOARD - CAVITY CONSTRUCTION**

Date: 01.03.14

Scale: 1:2

CAD Ref.: VTBDBW-CJ



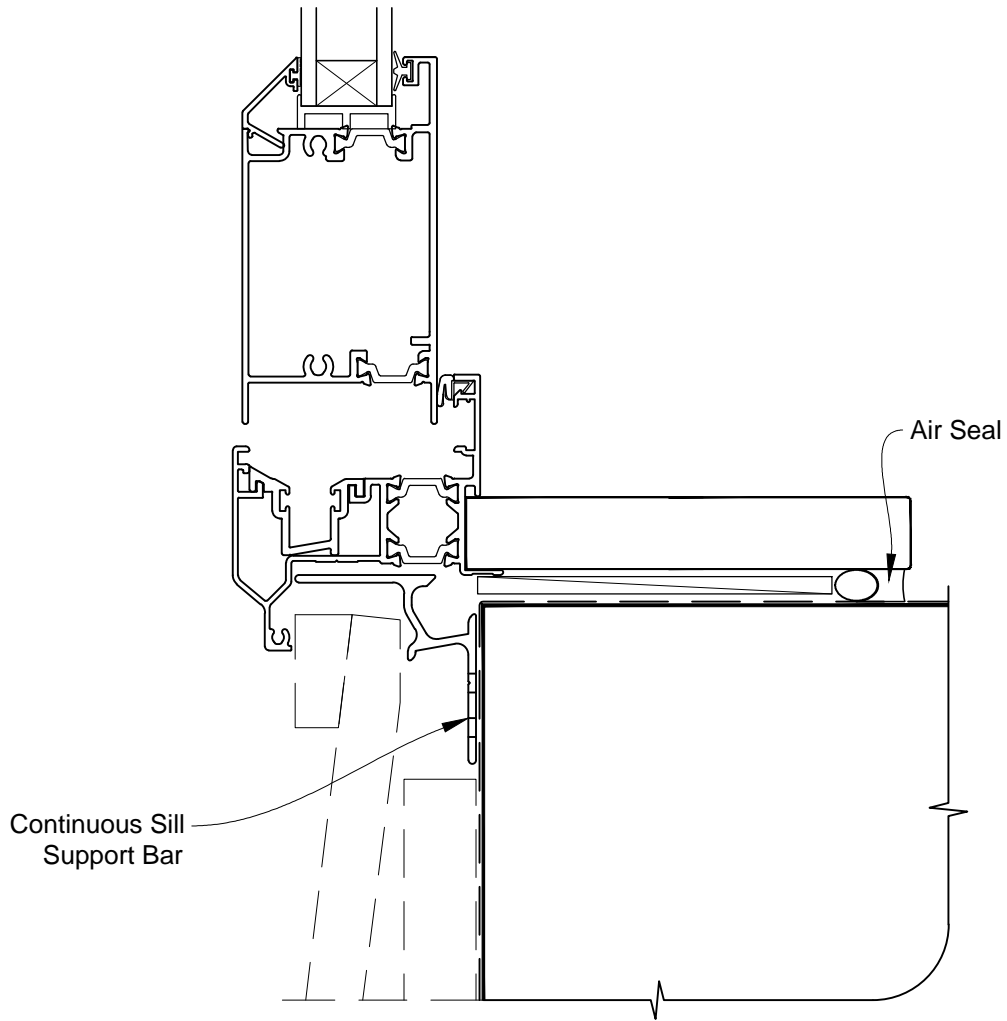


**INSTALLATION DETAIL - VANTAGE RESIDENTIAL THERMAL
HEART - BIFOLD DOOR OPEN OUT ON BEVELBACK
WEATHERBOARD - CAVITY CONSTRUCTION**

Date: 01.03.14

Scale: 1:2

CAD Ref.: VTBDBW-CS



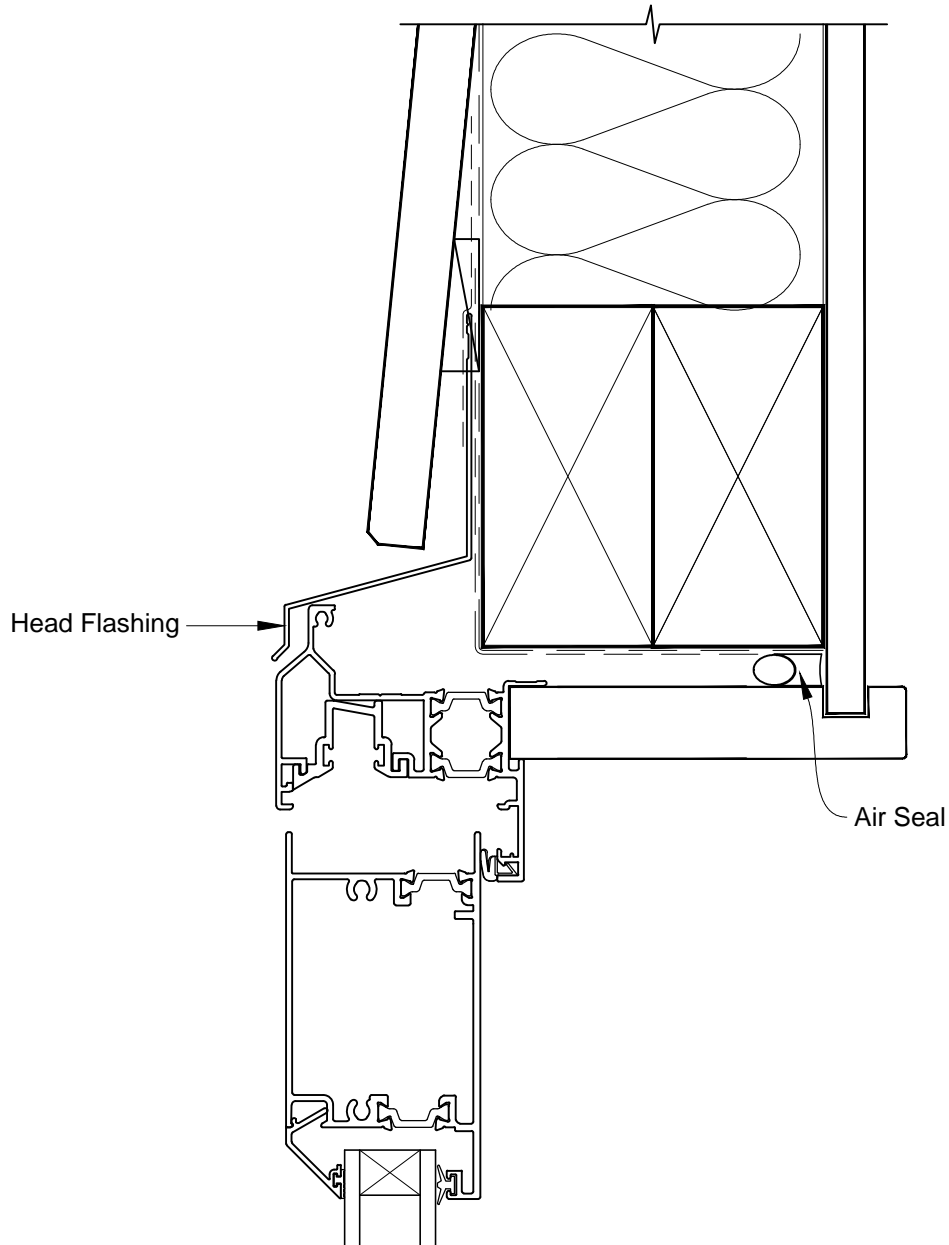


**INSTALLATION DETAIL - VANTAGE RESIDENTIAL THERMAL
HEART - BIFOLD DOOR OPEN OUT ON BEVELBACK
WEATHERBOARD - DIRECT FIXED CLADDING**

Date: 01.03.14

Scale: 1:2

CAD Ref.: VTBDBW-DH



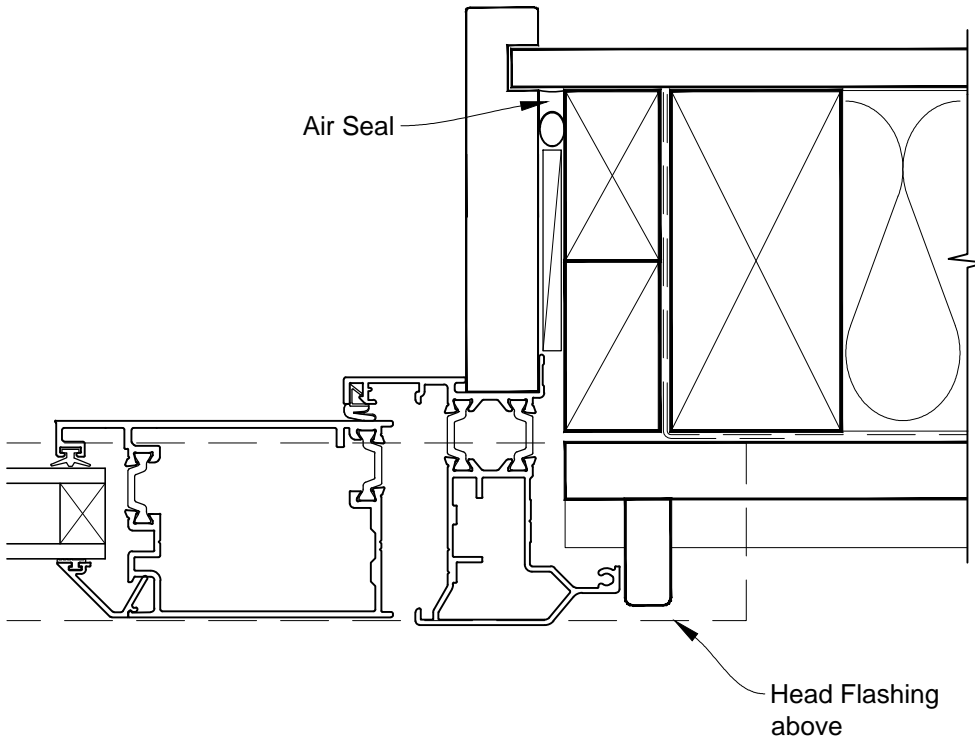


**INSTALLATION DETAIL - VANTAGE RESIDENTIAL THERMAL
HEART - BIFOLD DOOR OPEN OUT ON BEVELBACK
WEATHERBOARD - DIRECT FIXED CLADDING**

Date: 01.03.14

Scale: 1:2

CAD Ref.: VTBDBW-DJ





**INSTALLATION DETAIL - VANTAGE RESIDENTIAL THERMAL
HEART - BIFOLD DOOR OPEN OUT ON BEVELBACK
WEATHERBOARD - DIRECT FIXED CLADDING**

Date: 01.03.14

Scale: 1:2

CAD Ref.: VTDBBW-DS

