

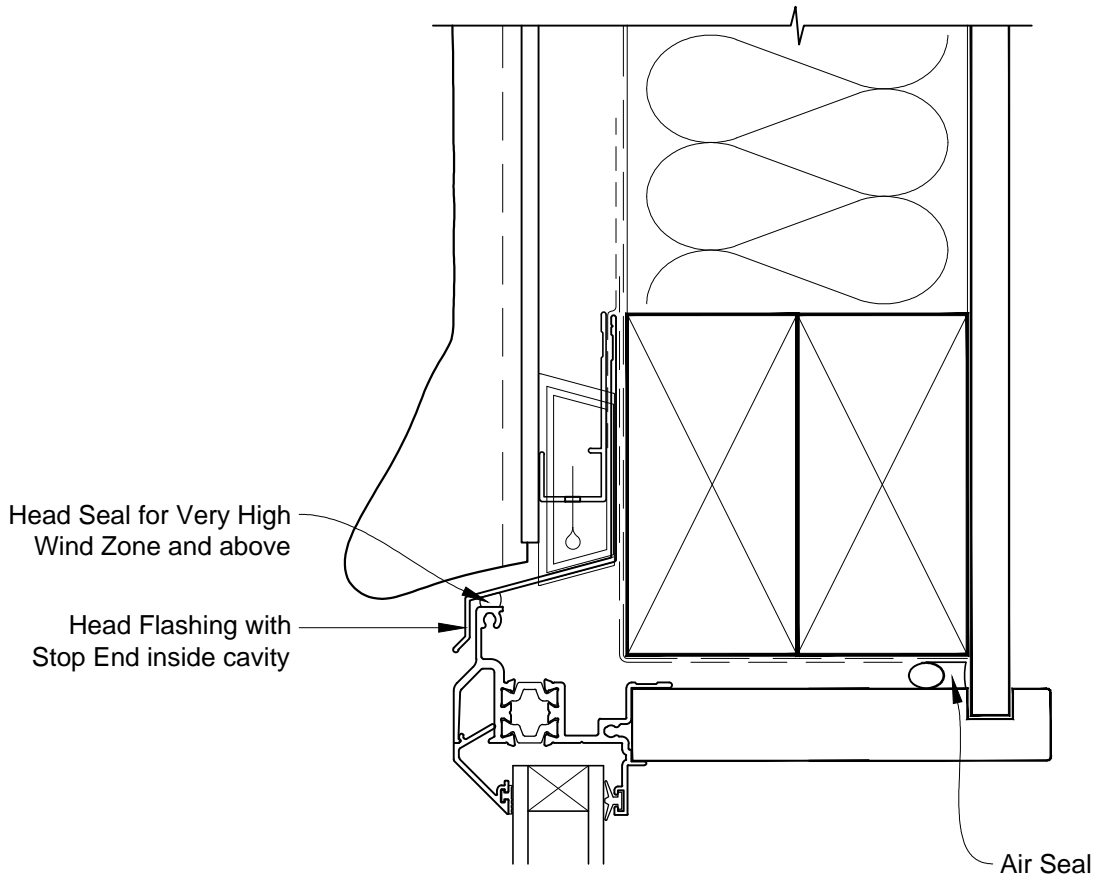


# INSTALLATION DETAIL - VANTAGE RESIDENTIAL THERMAL HEART - AWNING WINDOW ON STUCCO CAVITY CONSTRUCTION

Date: 01.03.14

Scale: 1:2

CAD Ref.: VTAWST-CH



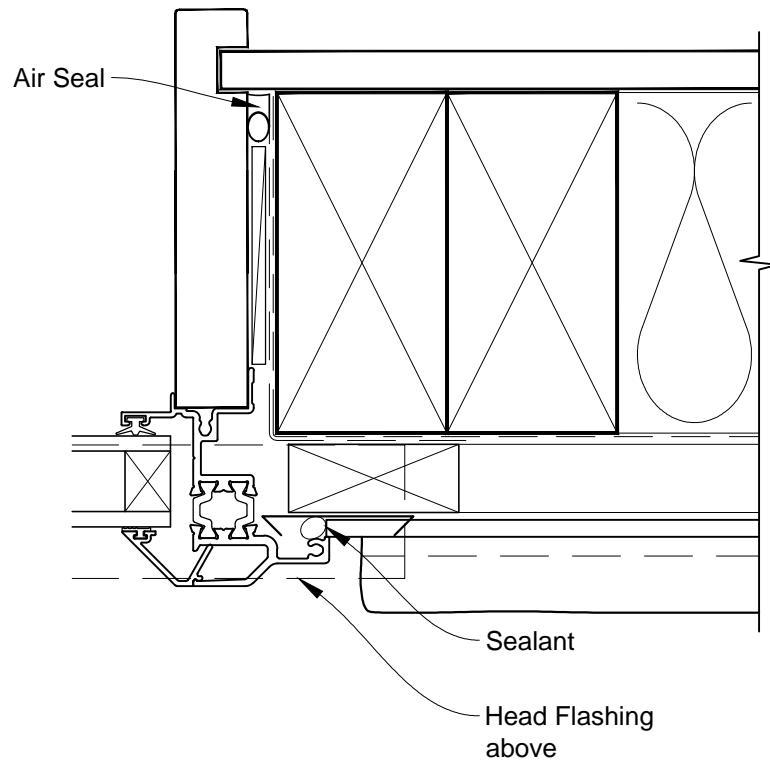


# INSTALLATION DETAIL - VANTAGE RESIDENTIAL THERMAL HEART - AWNING WINDOW ON STUCCO CAVITY CONSTRUCTION

Date: 01.03.14

Scale: 1:2

CAD Ref.: VTAWST-CJ



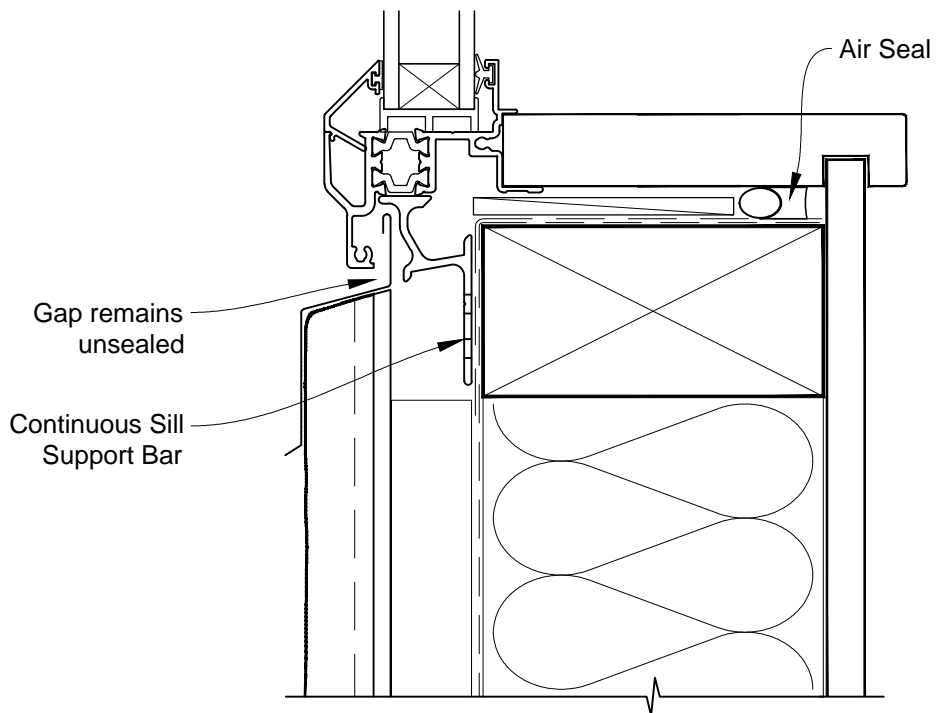


# INSTALLATION DETAIL - VANTAGE RESIDENTIAL THERMAL HEART - AWNING WINDOW ON STUCCO CAVITY CONSTRUCTION

Date: 01.03.14

Scale: 1:2

CAD Ref.: VTAWST-CS





# INSTALLATION DETAIL - VANTAGE RESIDENTIAL THERMAL HEART - AWNING WINDOW ON STUCCO CAVITY CONSTRUCTION

Date: 01.03.14

Scale: 1:2

CAD Ref.: VTAWST-CS2

