

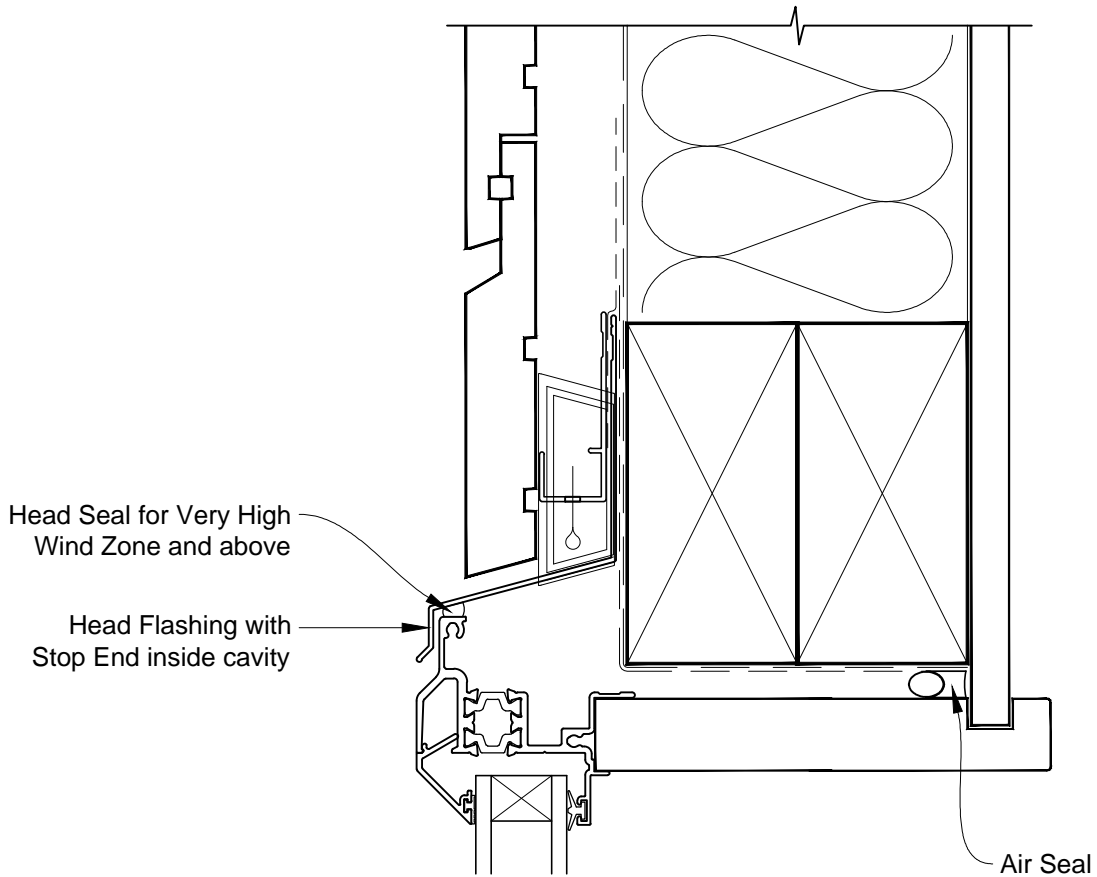


INSTALLATION DETAIL - VANTAGE RESIDENTIAL THERMAL HEART - AWNING WINDOW ON RUSTICATED WEATHERBOARD CAVITY CONSTRUCTION

Date: 01.03.14

Scale: 1:2

CAD Ref.: VTAWRW-CH



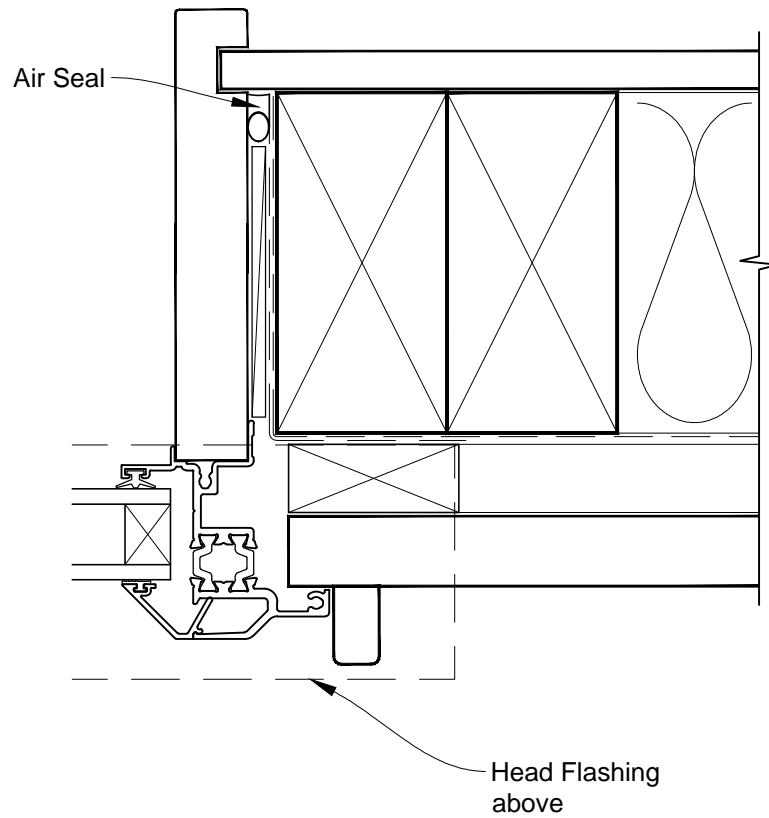


INSTALLATION DETAIL - VANTAGE RESIDENTIAL THERMAL HEART - AWNING WINDOW ON RUSTICATED WEATHERBOARD CAVITY CONSTRUCTION

Date: 01.03.14

Scale: 1:2

CAD Ref.: VTAWRW-CJ



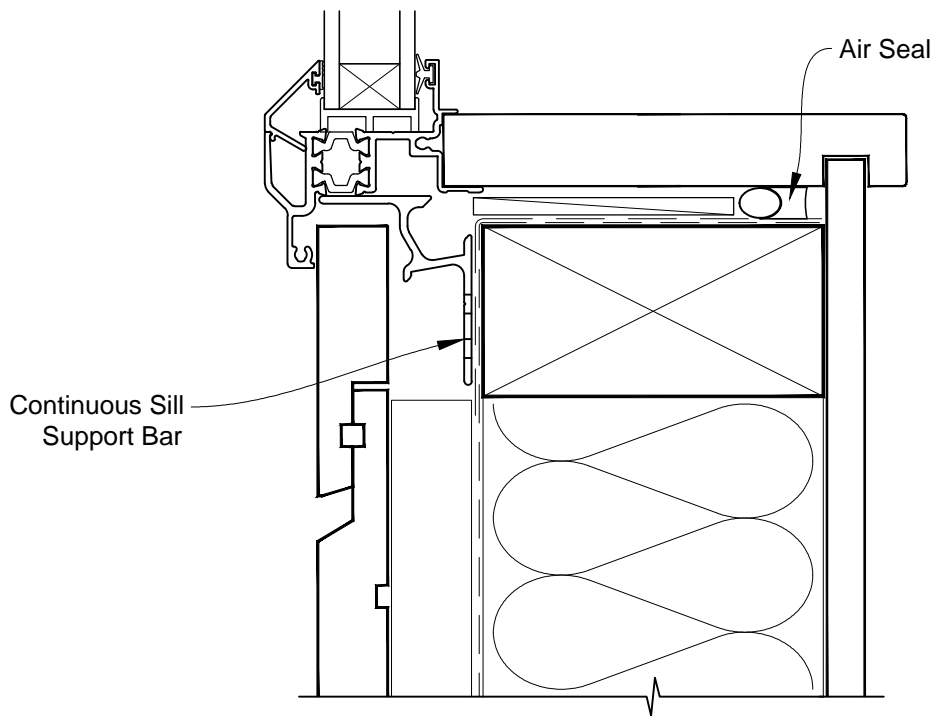


INSTALLATION DETAIL - VANTAGE RESIDENTIAL THERMAL HEART - AWNING WINDOW ON RUSTICATED WEATHERBOARD CAVITY CONSTRUCTION

Date: 01.03.14

Scale: 1:2

CAD Ref.: VTAWRW-CS



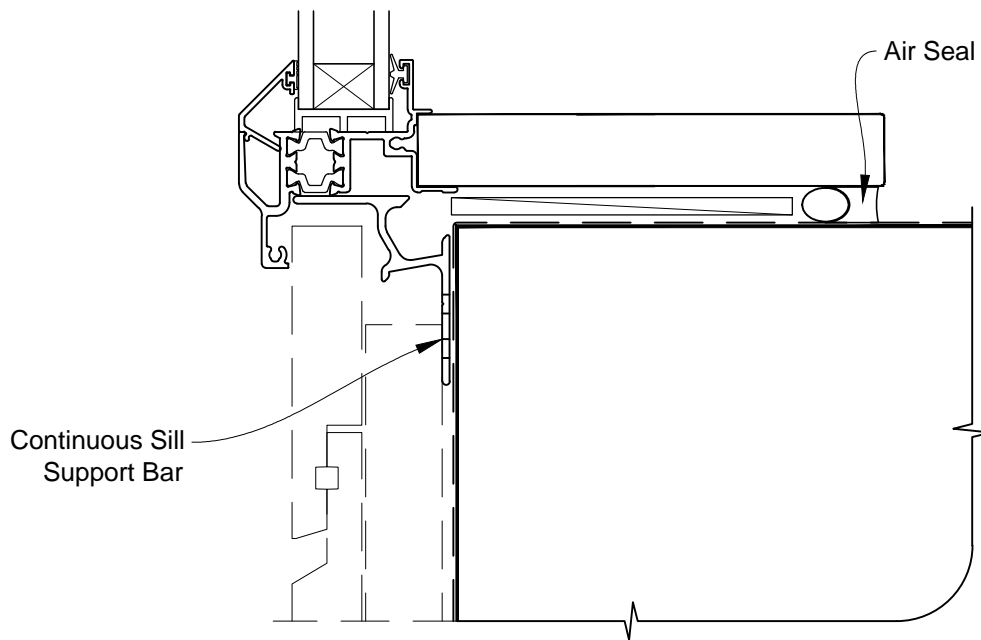


INSTALLATION DETAIL - VANTAGE RESIDENTIAL THERMAL HEART - AWNING WINDOW ON RUSTICATED WEATHERBOARD CAVITY CONSTRUCTION

Date: 01.03.14

Scale: 1:2

CAD Ref.: VTAWRW-CS2



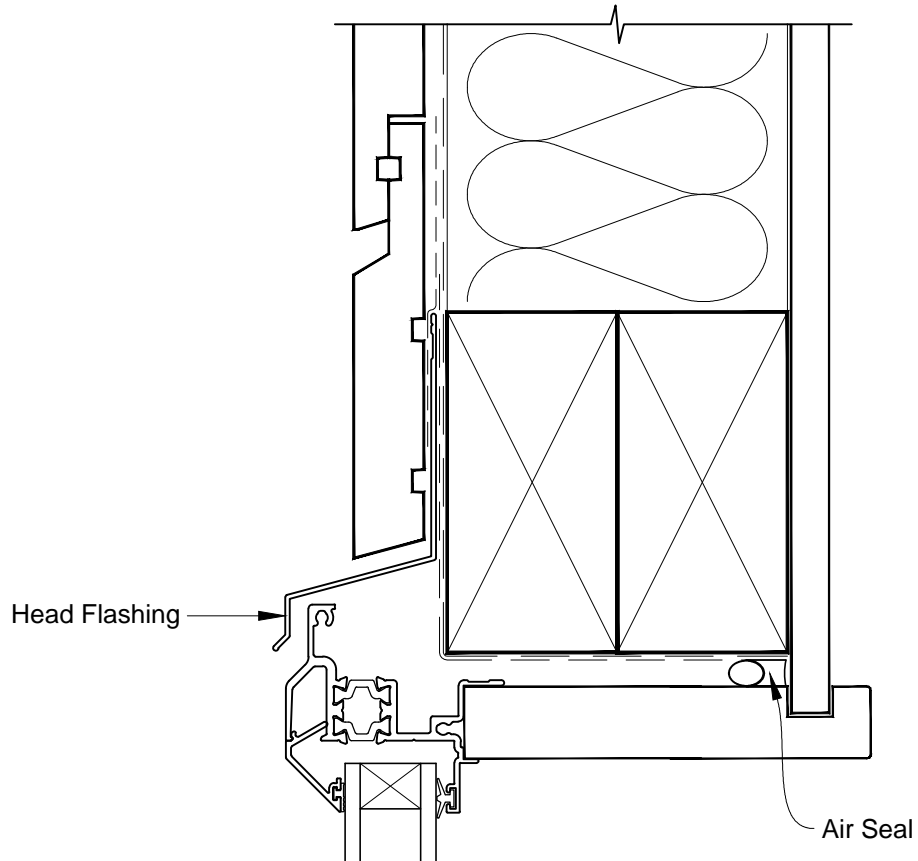


INSTALLATION DETAIL - VANTAGE RESIDENTIAL THERMAL HEART - AWNING WINDOW ON RUSTICATED WEATHERBOARD DIRECT FIXED CLADDING

Date: 01.03.14

Scale: 1:2

CAD Ref.: VTAWRW-DH



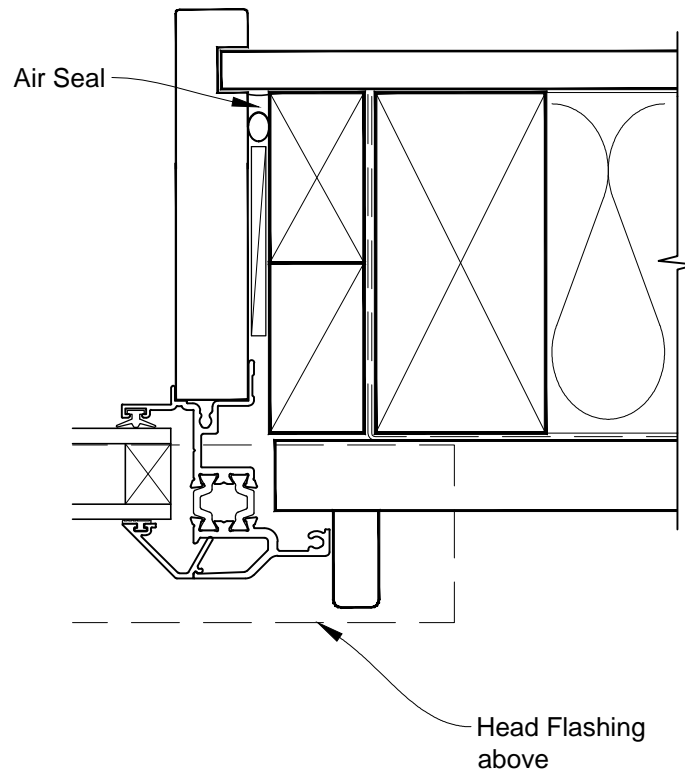


INSTALLATION DETAIL - VANTAGE RESIDENTIAL THERMAL HEART - AWNING WINDOW ON RUSTICATED WEATHERBOARD DIRECT FIXED CLADDING

Date: 01.03.14

Scale: 1:2

CAD Ref.: VTAWRW-DJ



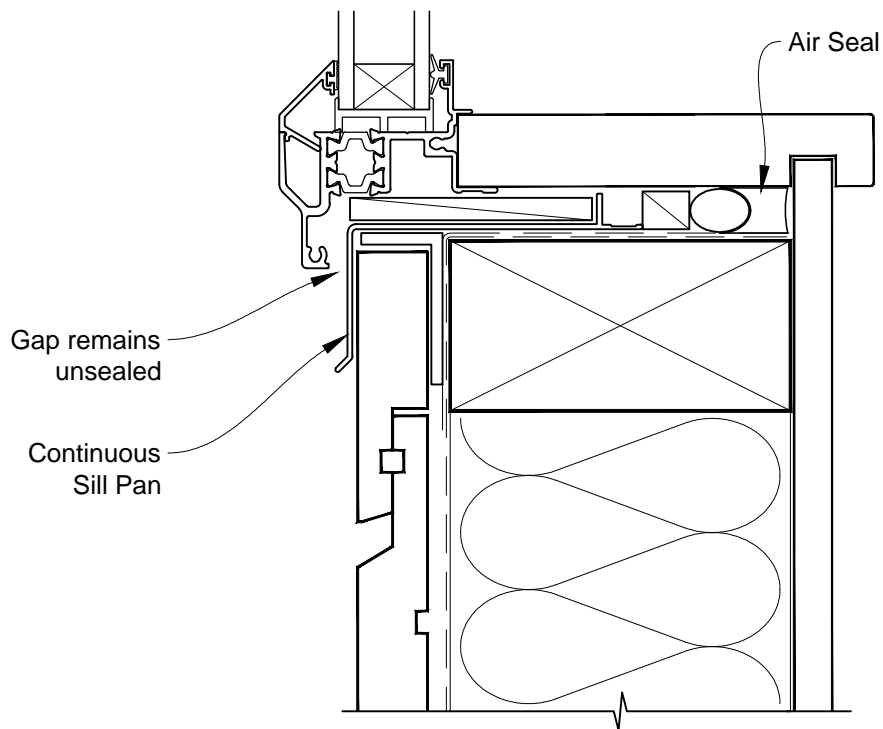


INSTALLATION DETAIL - VANTAGE RESIDENTIAL THERMAL HEART - AWNING WINDOW ON RUSTICATED WEATHERBOARD DIRECT FIXED CLADDING

Date: 01.03.14

Scale: 1:2

CAD Ref.: VTAWRW-DS





INSTALLATION DETAIL - VANTAGE RESIDENTIAL THERMAL HEART - AWNING WINDOW ON RUSTICATED WEATHERBOARD DIRECT FIXED CLADDING

Date: 01.03.14

Scale: 1:2

CAD Ref.: VTAWRW-DS2

