

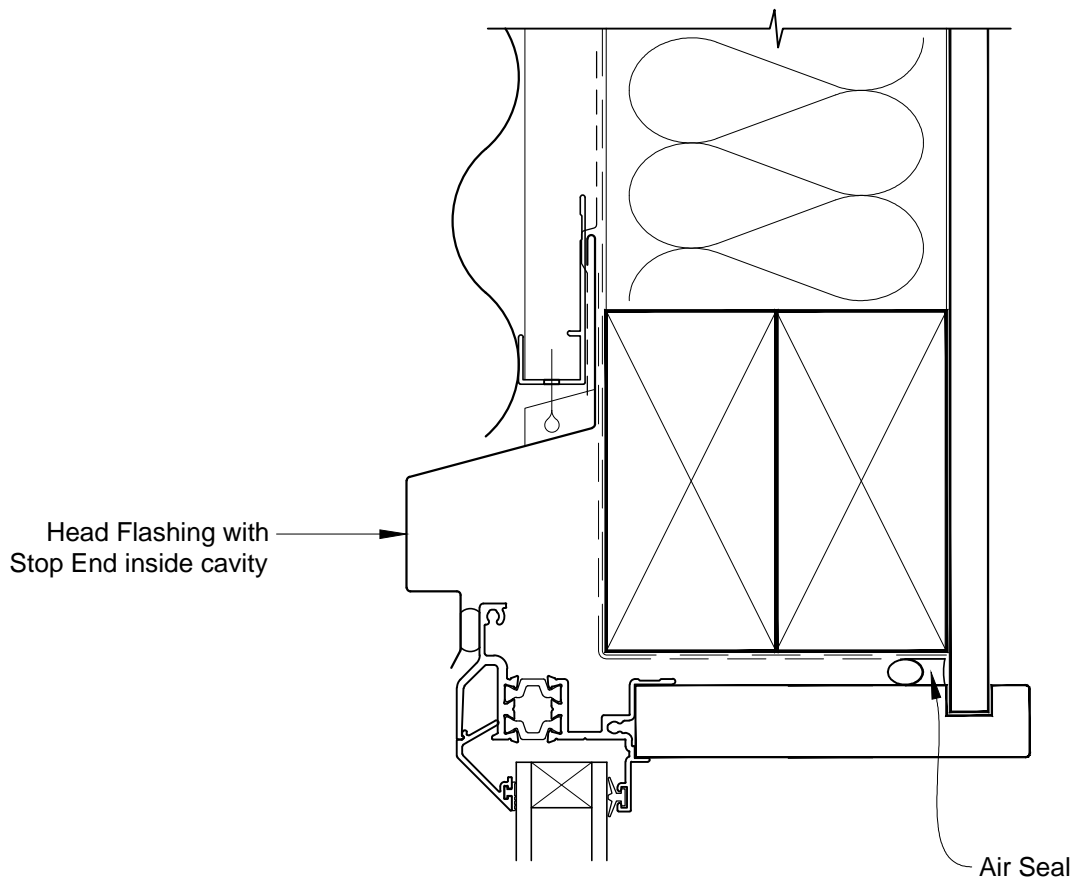


INSTALLATION DETAIL - VANTAGE RESIDENTIAL THERMAL HEART - AWNING WINDOW ON PROFILE METAL CAVITY CONSTRUCTION

Date: 01.03.14

Scale: 1:2

CAD Ref.: VTAWPM-CH



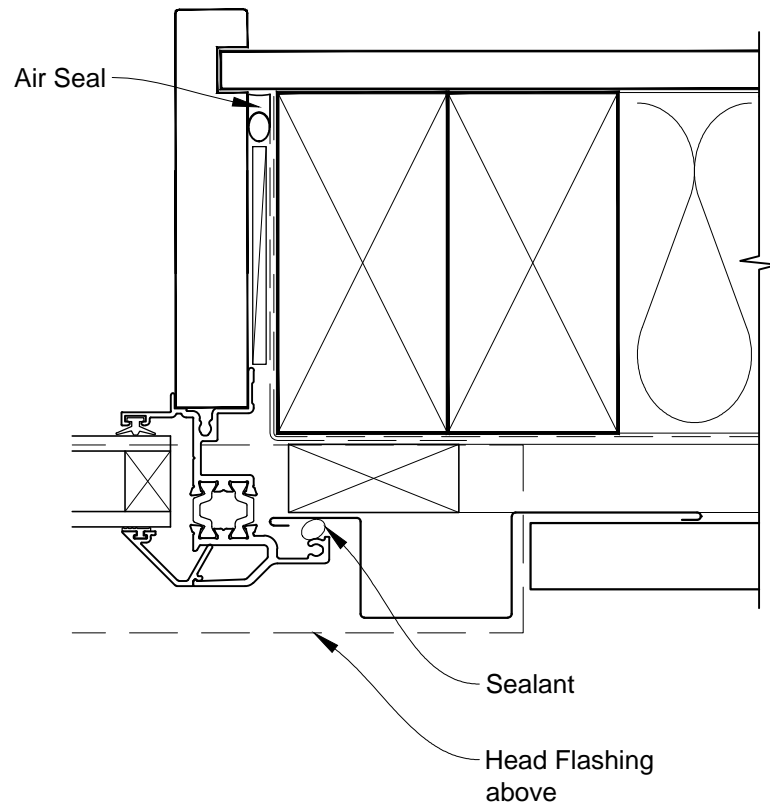


INSTALLATION DETAIL - VANTAGE RESIDENTIAL THERMAL HEART - AWNING WINDOW ON PROFILE METAL CAVITY CONSTRUCTION

Date: 01.03.14

Scale: 1:2

CAD Ref.: VTAWPM-CJ



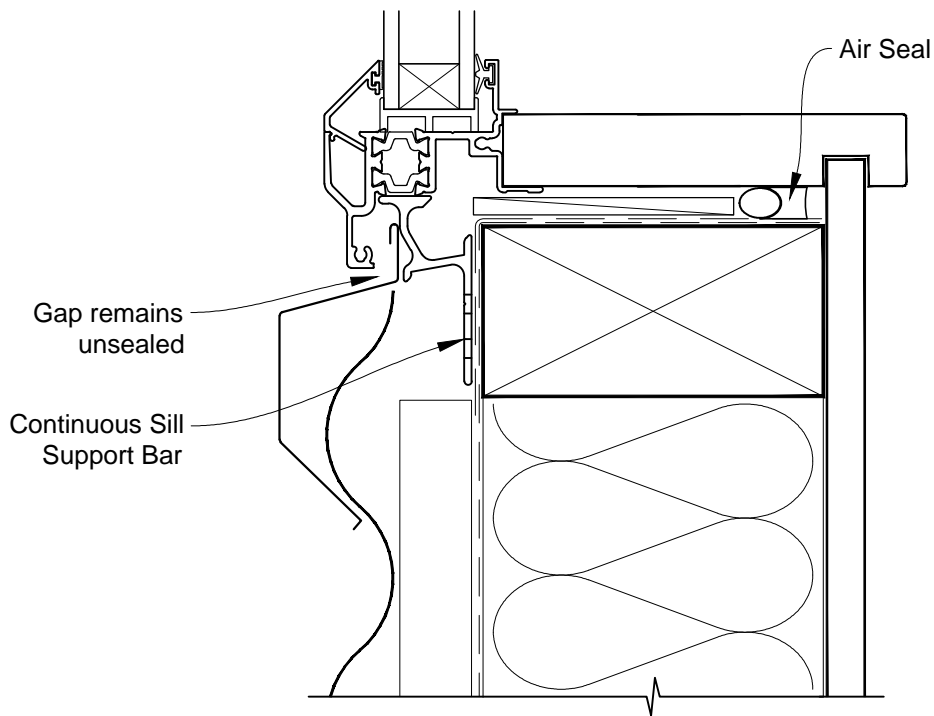


INSTALLATION DETAIL - VANTAGE RESIDENTIAL THERMAL HEART - AWNING WINDOW ON PROFILE METAL CAVITY CONSTRUCTION

Date: 01.03.14

Scale: 1:2

CAD Ref.: VTAWPM-CS



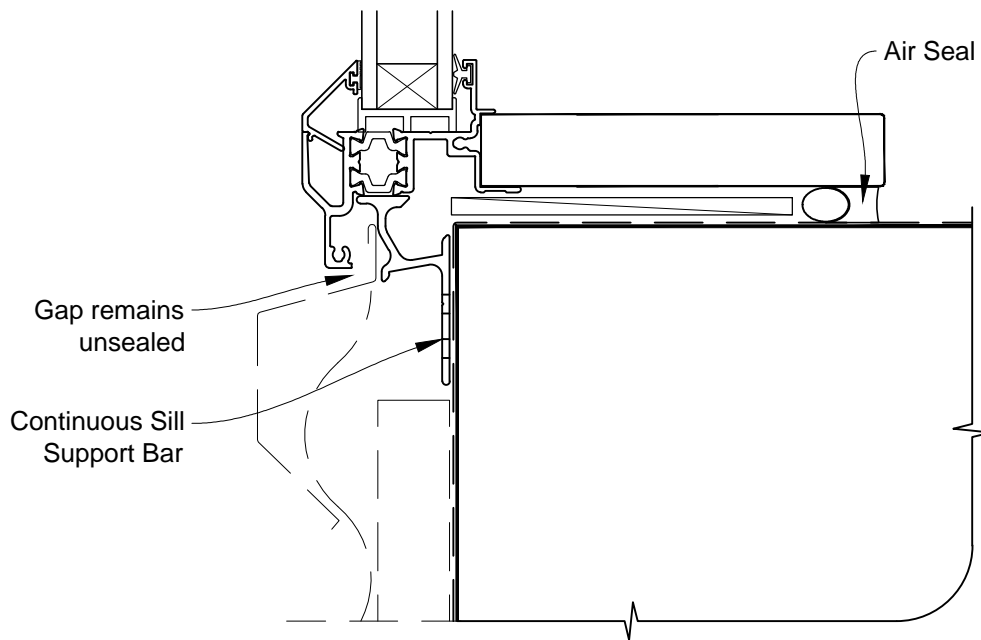


INSTALLATION DETAIL - VANTAGE RESIDENTIAL THERMAL HEART - AWNING WINDOW ON PROFILE METAL CAVITY CONSTRUCTION

Date: 01.03.14

Scale: 1:2

CAD Ref.: VTAWPM-CS2



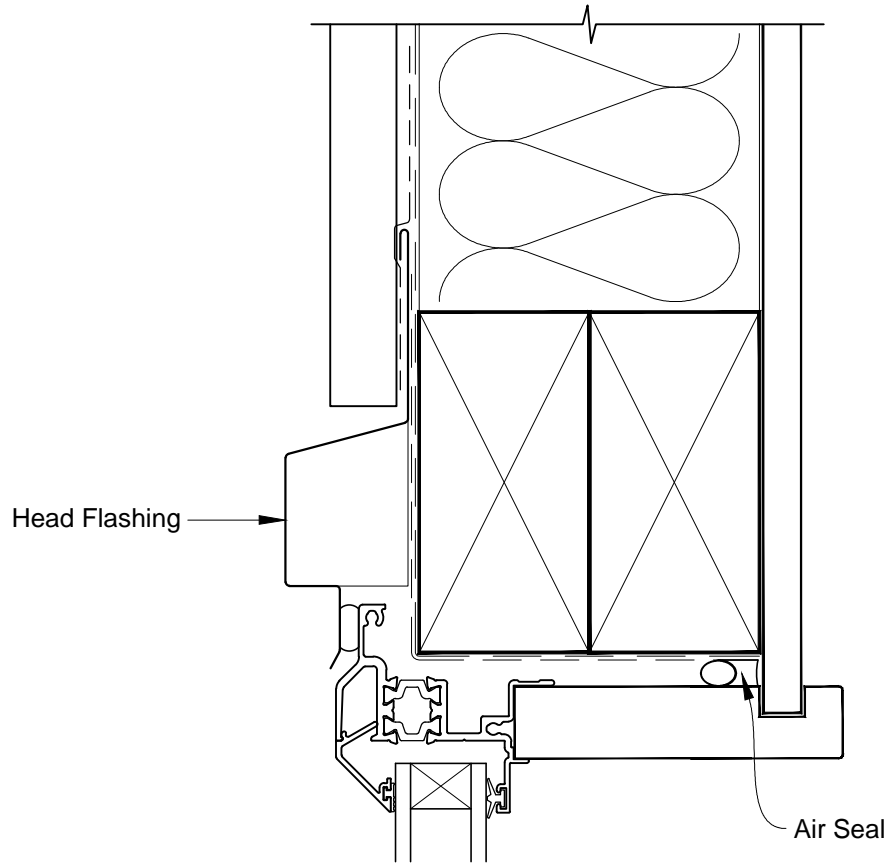


INSTALLATION DETAIL - VANTAGE RESIDENTIAL THERMAL HEART - AWNING WINDOW ON PROFILE METAL DIRECT FIXED CLADDING

Date: 01.03.14

Scale: 1:2

CAD Ref.: VTAWPM-DH



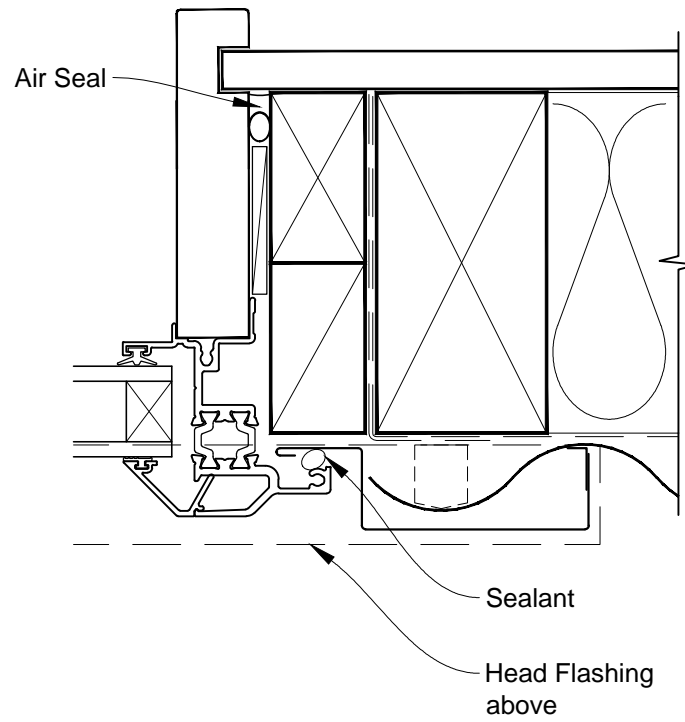


INSTALLATION DETAIL - VANTAGE RESIDENTIAL THERMAL HEART - AWNING WINDOW ON PROFILE METAL DIRECT FIXED CLADDING

Date: 01.03.14

Scale: 1:2

CAD Ref.: VTAWPM-DJ



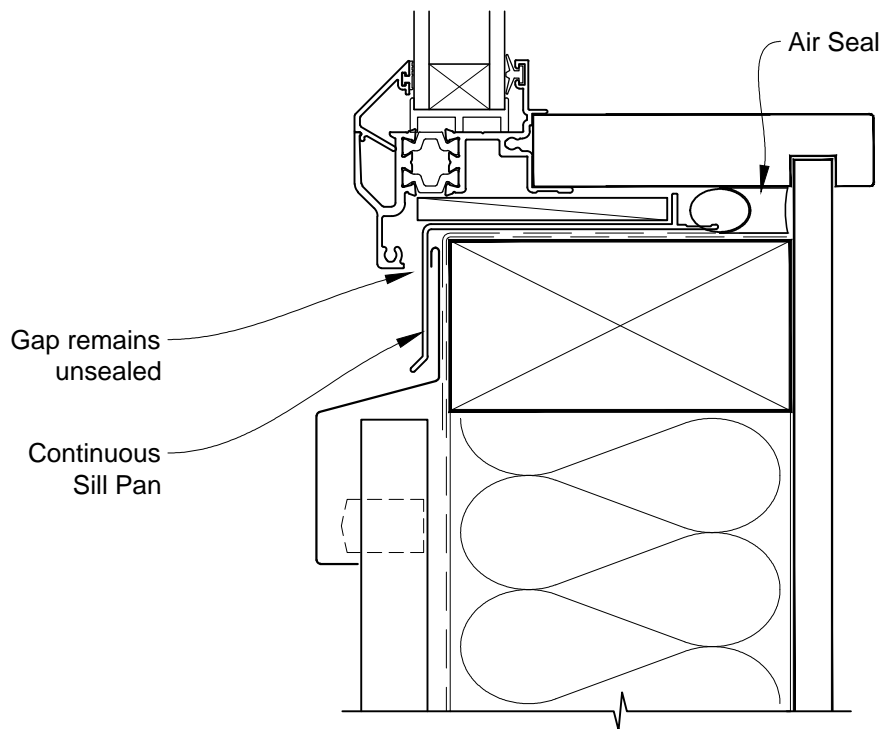


INSTALLATION DETAIL - VANTAGE RESIDENTIAL THERMAL HEART - AWNING WINDOW ON PROFILE METAL DIRECT FIXED CLADDING

Date: 01.03.14

Scale: 1:2

CAD Ref.: VTAWPM-DS





INSTALLATION DETAIL - VANTAGE RESIDENTIAL THERMAL HEART - AWNING WINDOW ON PROFILE METAL DIRECT FIXED CLADDING

Date: 01.03.14

Scale: 1:2

CAD Ref.: VTAWPM-DS2

