

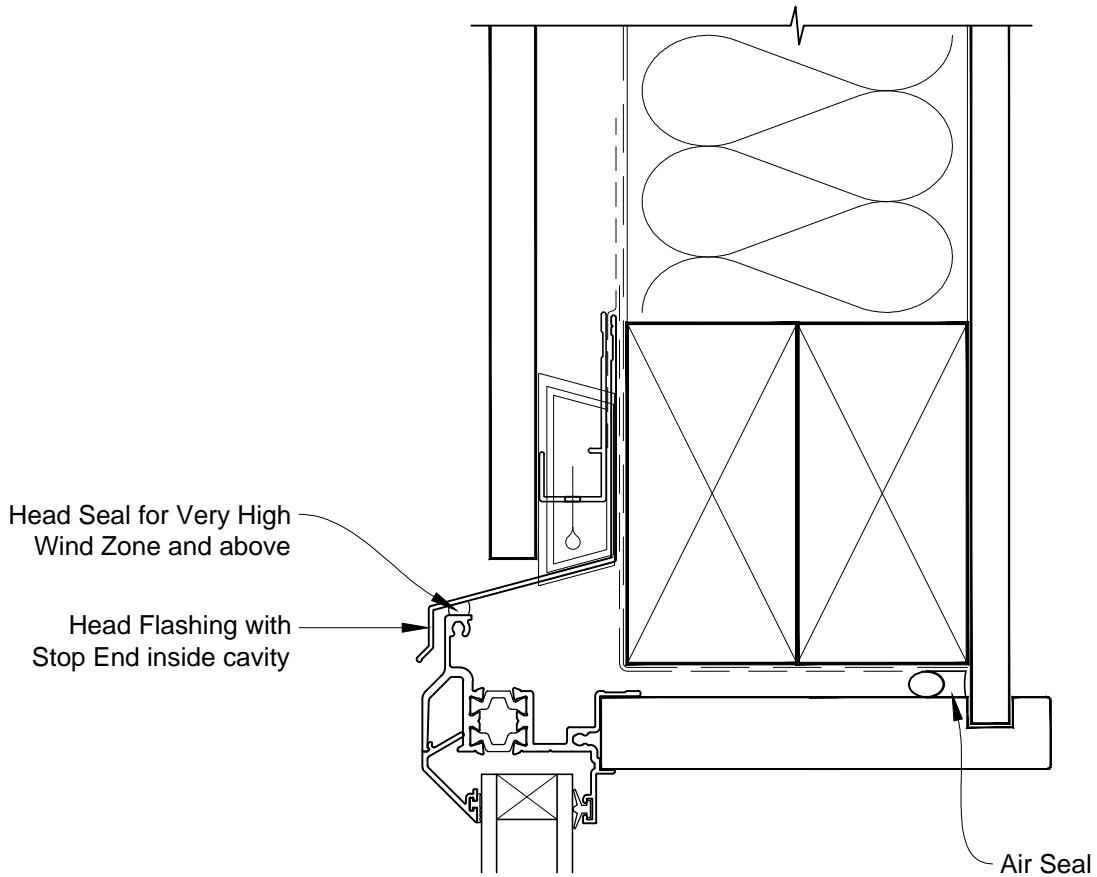


# INSTALLATION DETAIL - VANTAGE RESIDENTIAL THERMAL HEART - AWNING WINDOW ON FLAT SHEET CAVITY CONSTRUCTION

Date: 01.03.14

Scale: 1:2

CAD Ref.: VTAWFS-CH



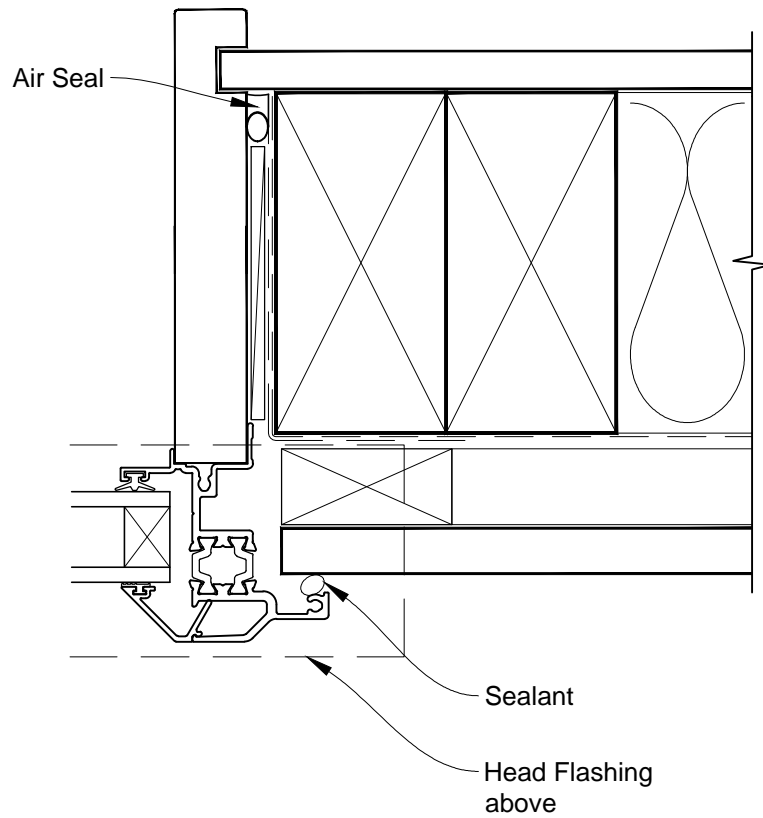


# INSTALLATION DETAIL - VANTAGE RESIDENTIAL THERMAL HEART - AWNING WINDOW ON FLAT SHEET CAVITY CONSTRUCTION

Date: 01.03.14

Scale: 1:2

CAD Ref.: VTAWFS-CJ



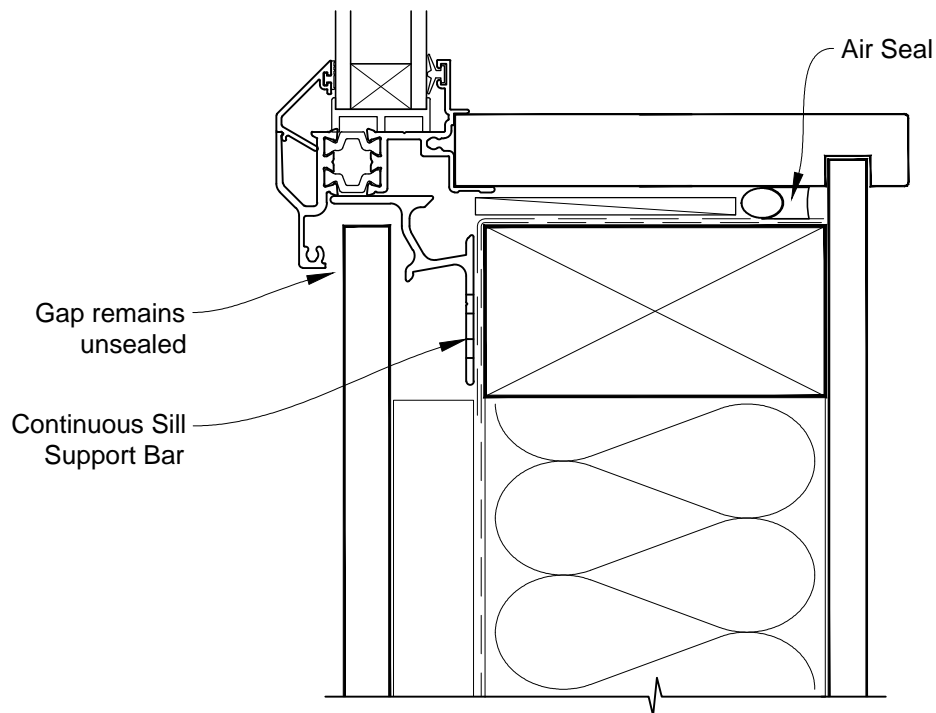


# INSTALLATION DETAIL - VANTAGE RESIDENTIAL THERMAL HEART - AWNING WINDOW ON FLAT SHEET CAVITY CONSTRUCTION

Date: 01.03.14

Scale: 1:2

CAD Ref.: VTAWFS-CS



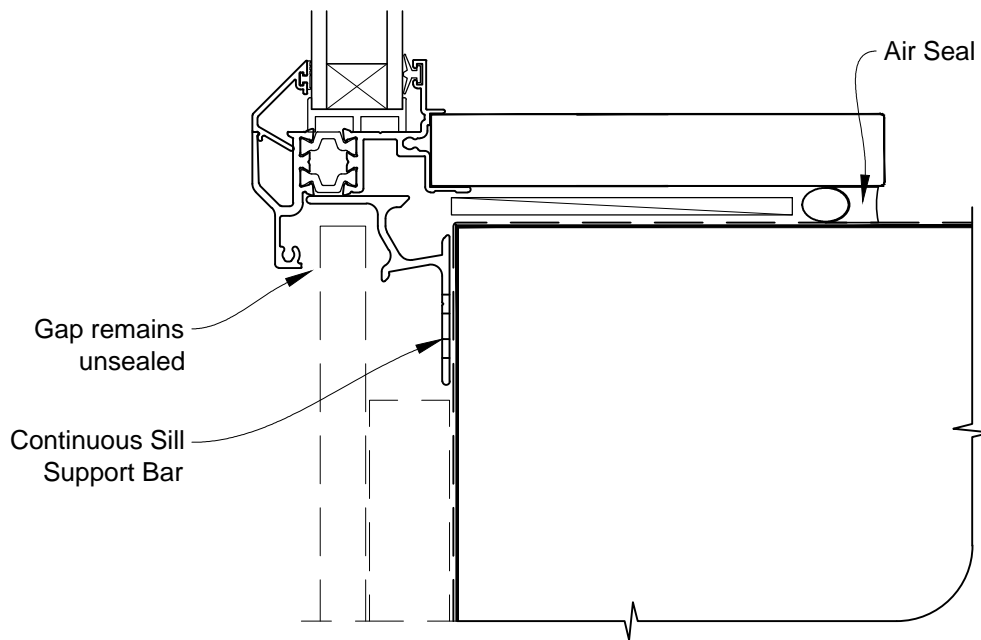


# INSTALLATION DETAIL - VANTAGE RESIDENTIAL THERMAL HEART - AWNING WINDOW ON FLAT SHEET CAVITY CONSTRUCTION

Date: 01.03.14

Scale: 1:2

CAD Ref.: VTAWFS-CS2



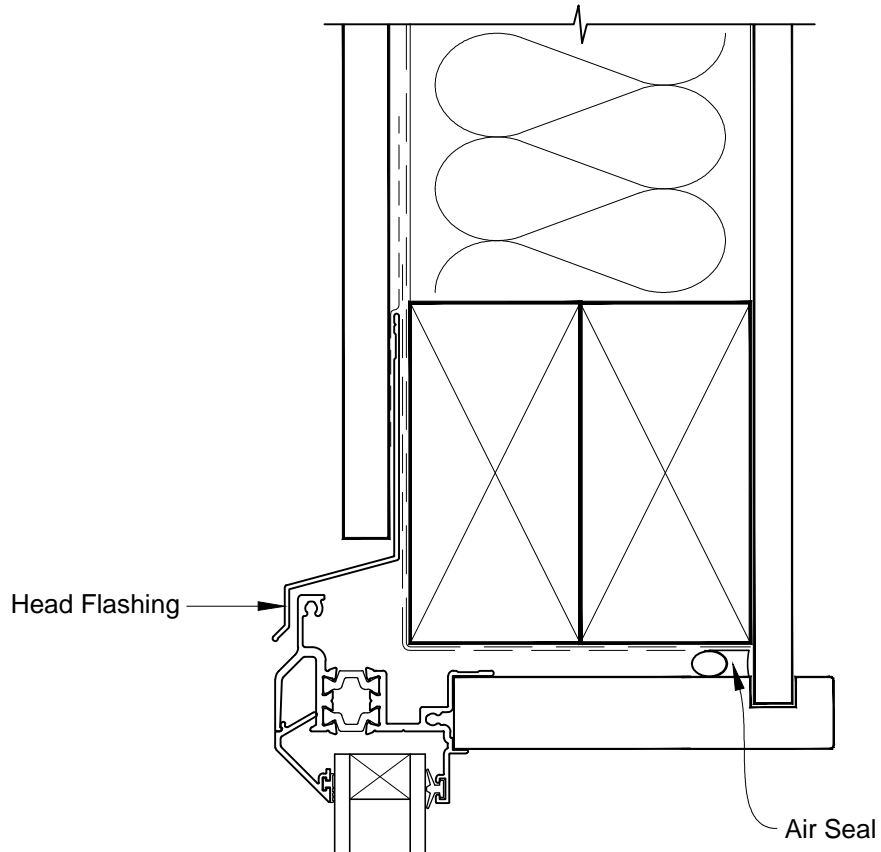


# INSTALLATION DETAIL - VANTAGE RESIDENTIAL THERMAL HEART - AWNING WINDOW ON FLAT SHEET DIRECT FIXED CLADDING

Date: 01.03.14

Scale: 1:2

CAD Ref.: VTAWFS-DH



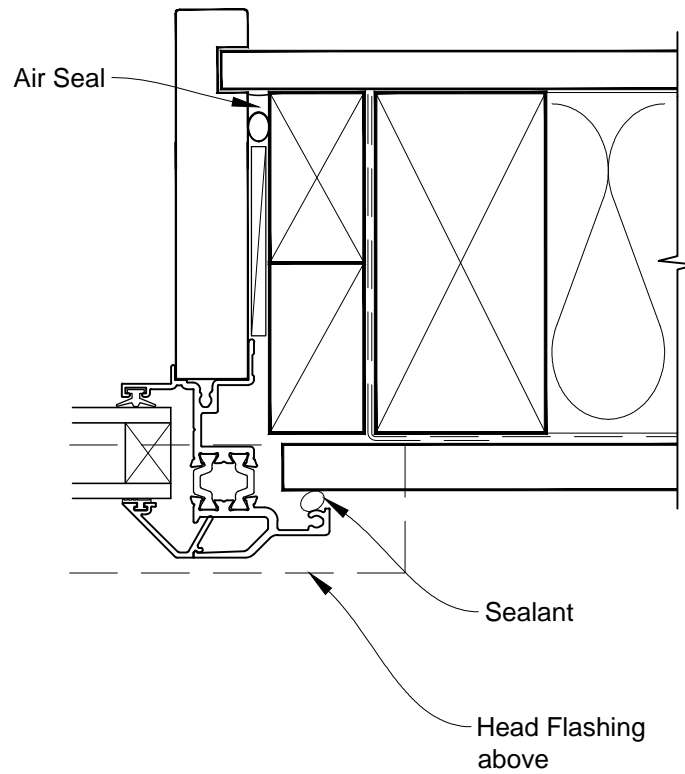


# INSTALLATION DETAIL - VANTAGE RESIDENTIAL THERMAL HEART - AWNING WINDOW ON FLAT SHEET DIRECT FIXED CLADDING

Date: 01.03.14

Scale: 1:2

CAD Ref.: VTAWFS-DJ



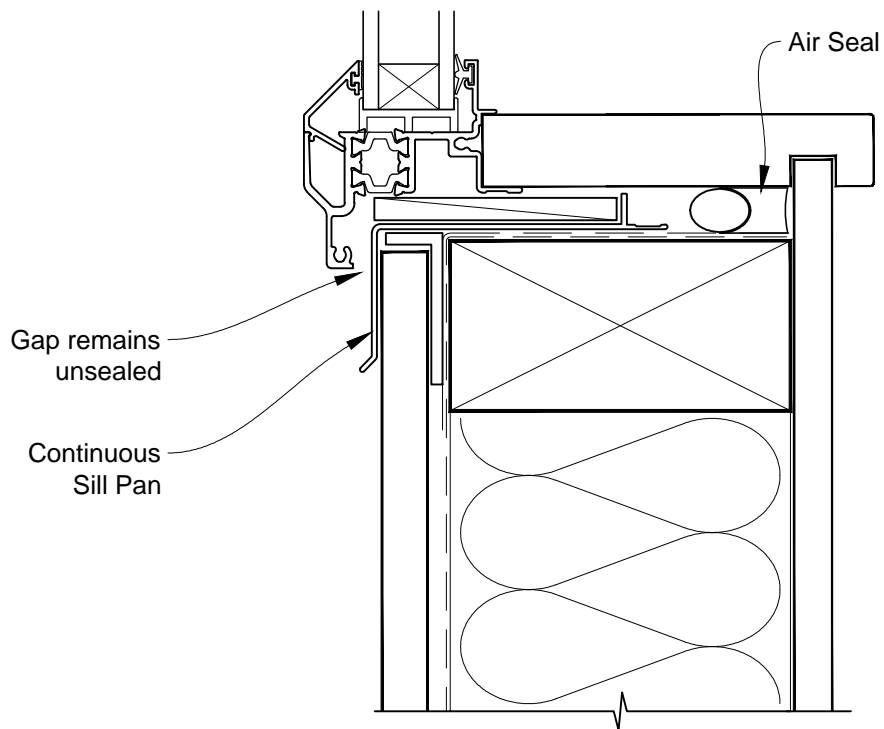


# INSTALLATION DETAIL - VANTAGE RESIDENTIAL THERMAL HEART - AWNING WINDOW ON FLAT SHEET DIRECT FIXED CLADDING

Date: 01.03.14

Scale: 1:2

CAD Ref.: VTAWFS-DS





# INSTALLATION DETAIL - VANTAGE RESIDENTIAL THERMAL HEART - AWNING WINDOW ON FLAT SHEET DIRECT FIXED CLADDING

Date: 01.03.14

Scale: 1:2

CAD Ref.: VTAWFS-DS2

