

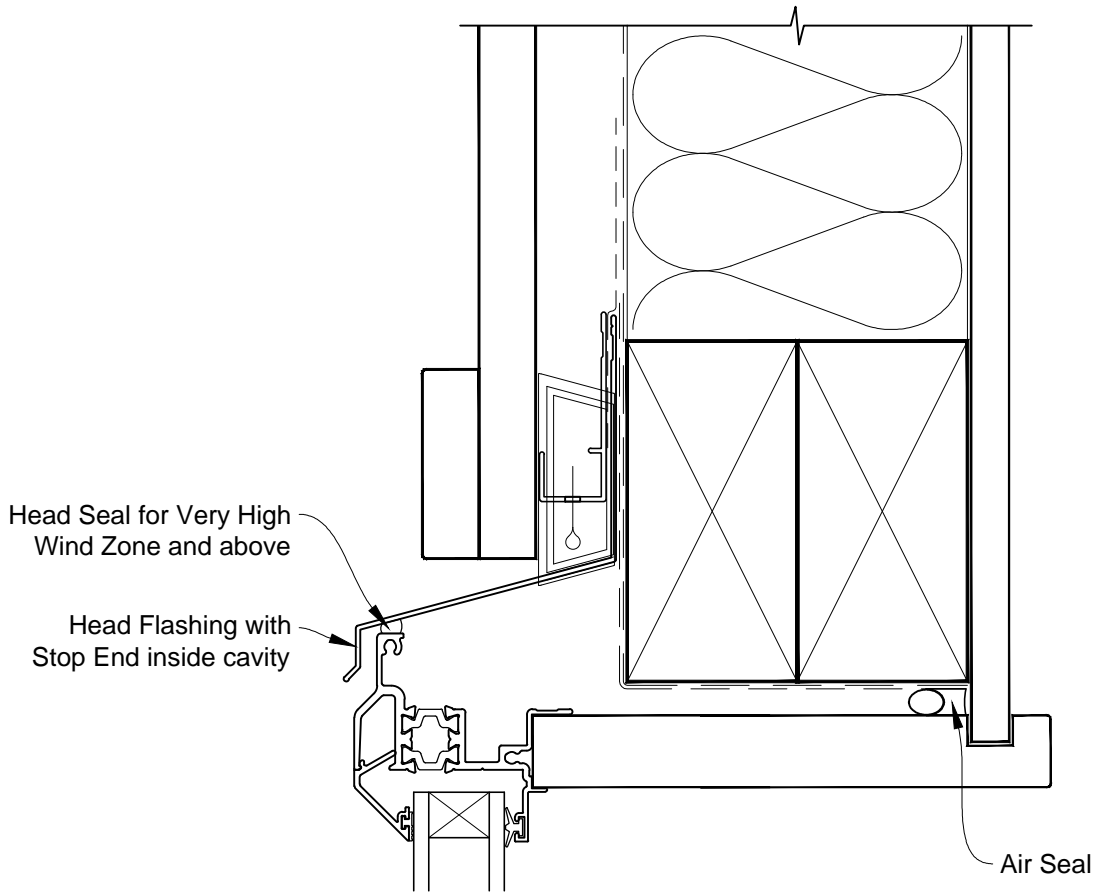


# INSTALLATION DETAIL - VANTAGE RESIDENTIAL THERMAL HEART - AWNING WINDOW ON BOARD & BATTEN CAVITY CONSTRUCTION

Date: 01.03.14

Scale: 1:2

CAD Ref.: VTAWBB-CH



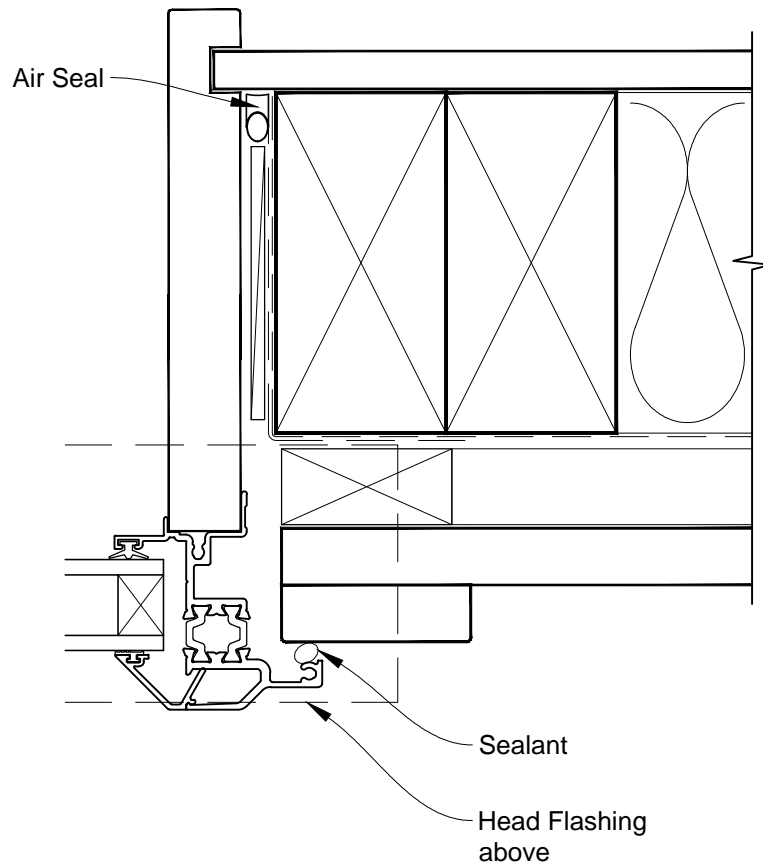


# INSTALLATION DETAIL - VANTAGE RESIDENTIAL THERMAL HEART - AWNING WINDOW ON BOARD & BATTEN CAVITY CONSTRUCTION

Date: 01.03.14

Scale: 1:2

CAD Ref.: VTAWBB-CJ



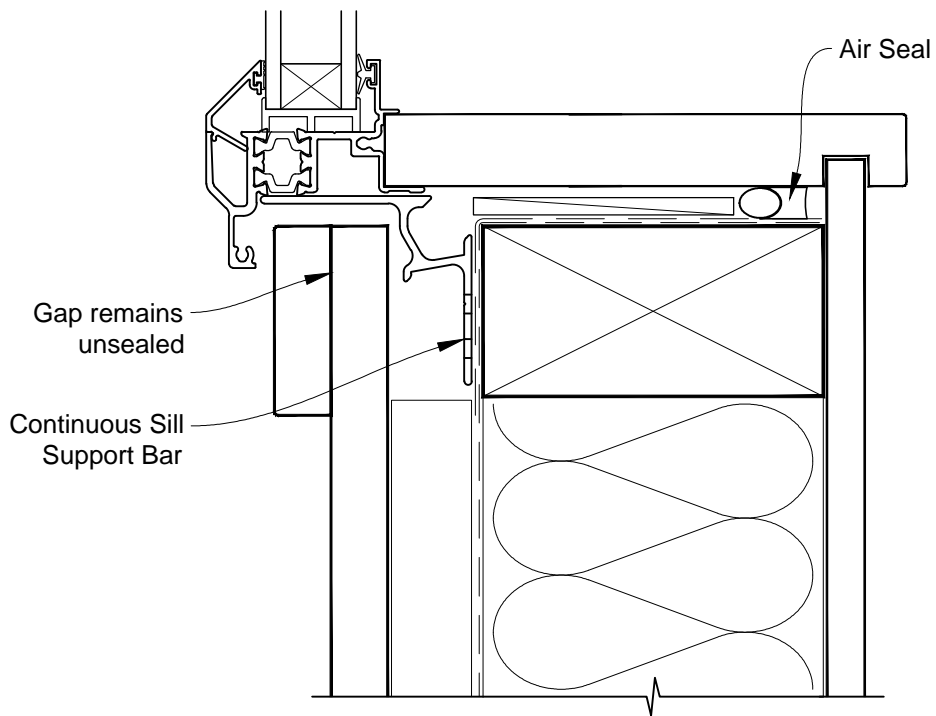


# INSTALLATION DETAIL - VANTAGE RESIDENTIAL THERMAL HEART - AWNING WINDOW ON BOARD & BATTEN CAVITY CONSTRUCTION

Date: 01.03.14

Scale: 1:2

CAD Ref.: VTAWBB-CS



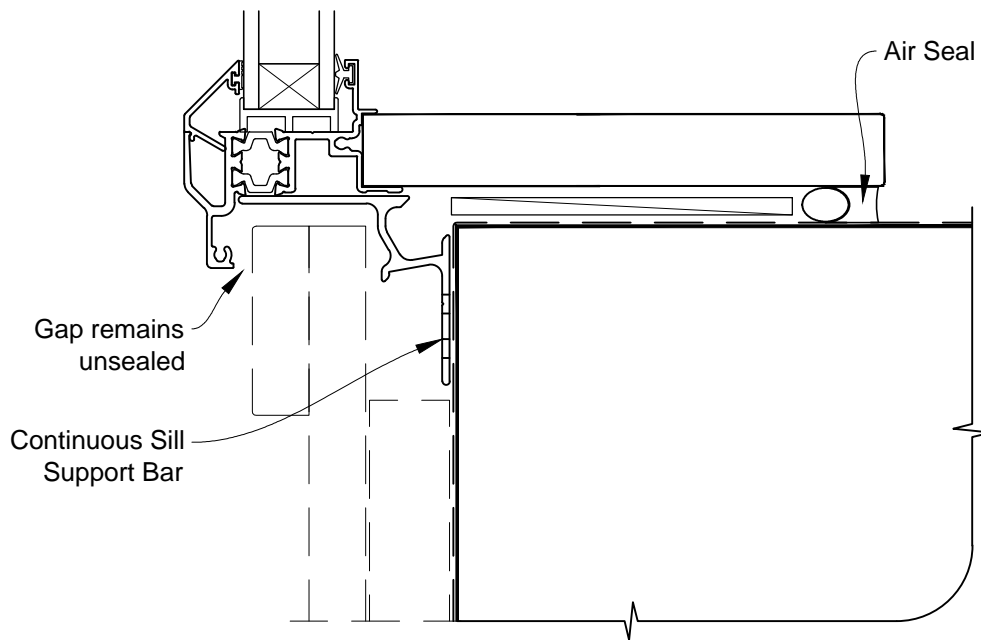


# INSTALLATION DETAIL - VANTAGE RESIDENTIAL THERMAL HEART - AWNING WINDOW ON BOARD & BATTEN CAVITY CONSTRUCTION

Date: 01.03.14

Scale: 1:2

CAD Ref.: VTAWBB-CS2



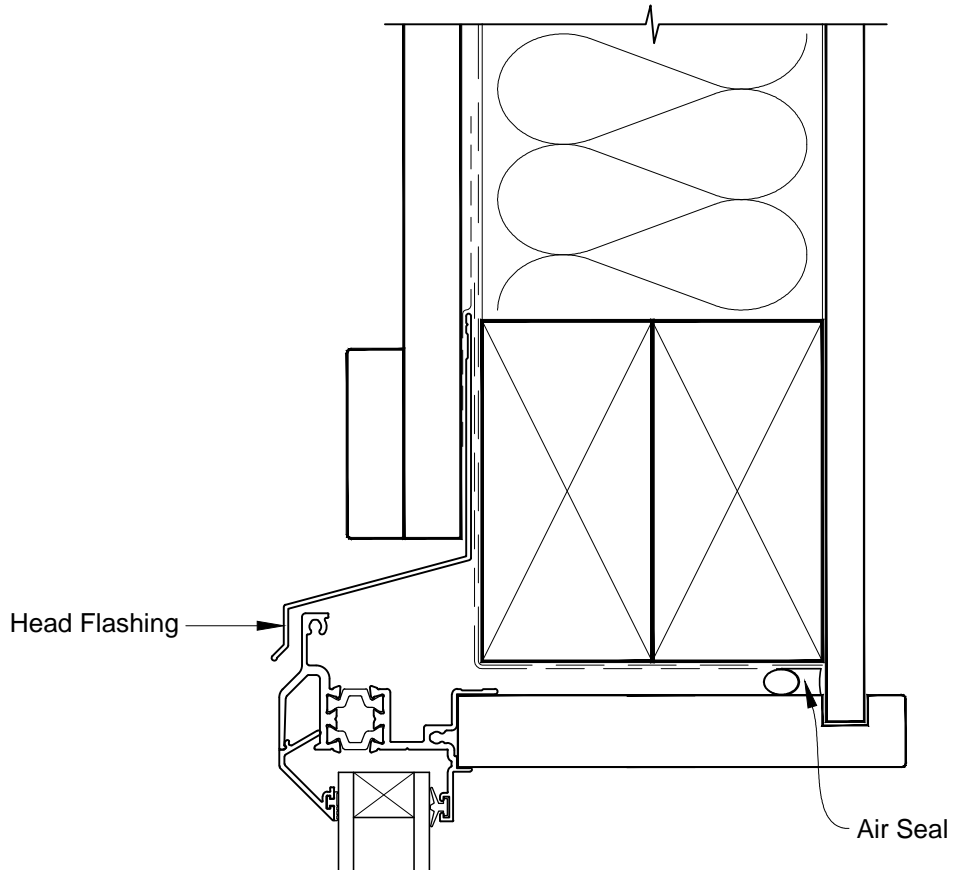


# INSTALLATION DETAIL - VANTAGE RESIDENTIAL THERMAL HEART - AWNING WINDOW ON BOARD & BATTEN DIRECT FIXED CLADDING

Date: 01.03.14

Scale: 1:2

CAD Ref.: VTAWBB-DH



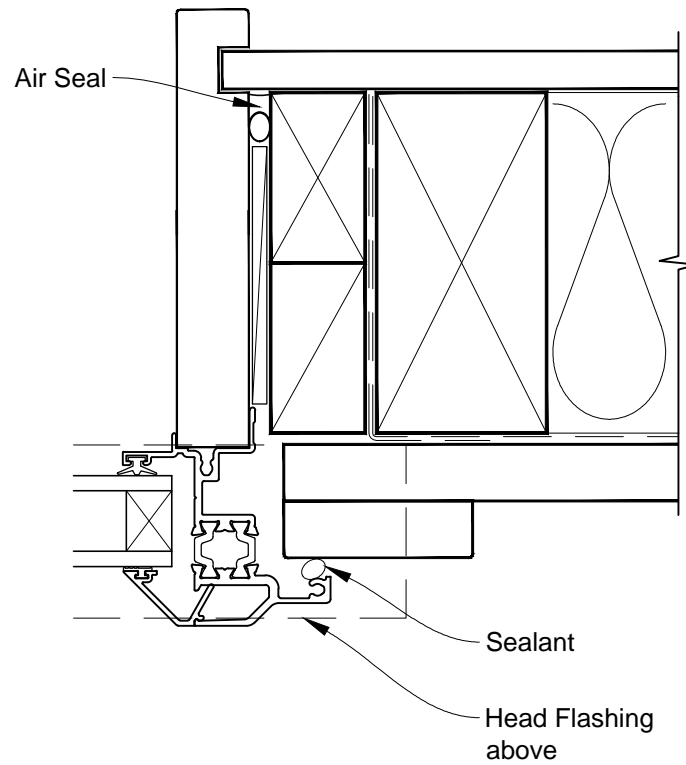


# INSTALLATION DETAIL - VANTAGE RESIDENTIAL THERMAL HEART - AWNING WINDOW ON BOARD & BATTEN DIRECT FIXED CLADDING

Date: 01.03.14

Scale: 1:2

CAD Ref.: VTAWBB-DJ



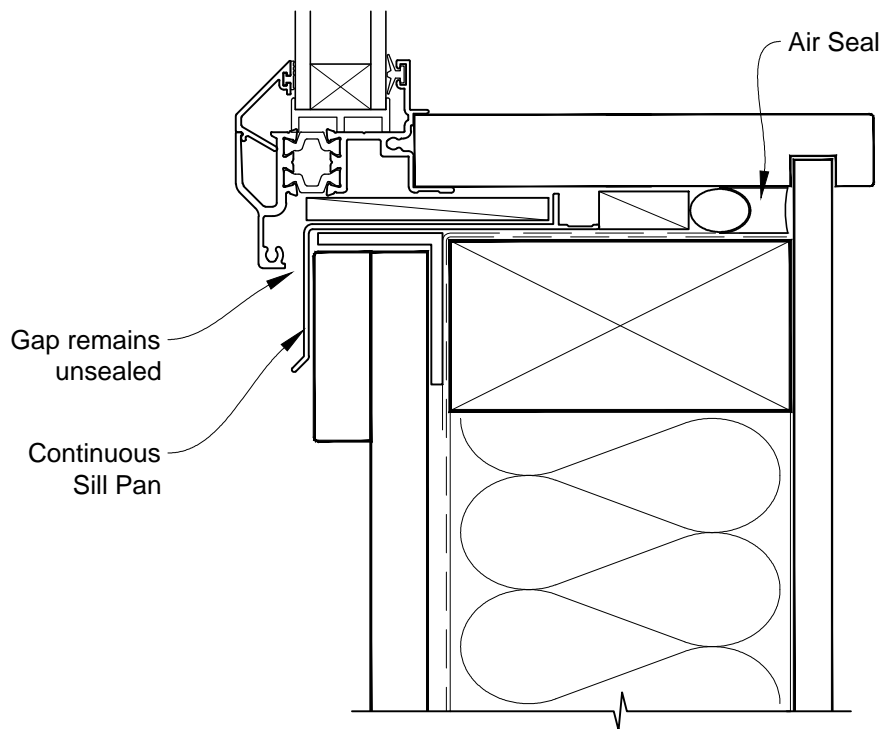


# INSTALLATION DETAIL - VANTAGE RESIDENTIAL THERMAL HEART - AWNING WINDOW ON BOARD & BATTEN DIRECT FIXED CLADDING

Date: 01.03.14

Scale: 1:2

CAD Ref.: VTAWBB-DS





# INSTALLATION DETAIL - VANTAGE RESIDENTIAL THERMAL HEART - AWNING WINDOW ON BOARD & BATTEN DIRECT FIXED CLADDING

Date: 01.03.14

Scale: 1:2

CAD Ref.: VTAWBB-DS2

