

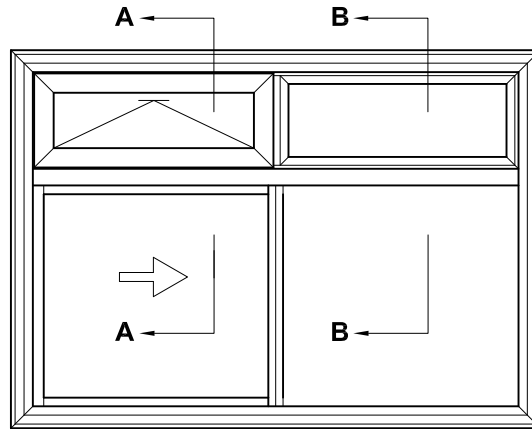


SLIMLINE SLIDING WINDOW SF WITH OVERLIGHT SASH CROSS SECTION

CAD REF. VSL03-0

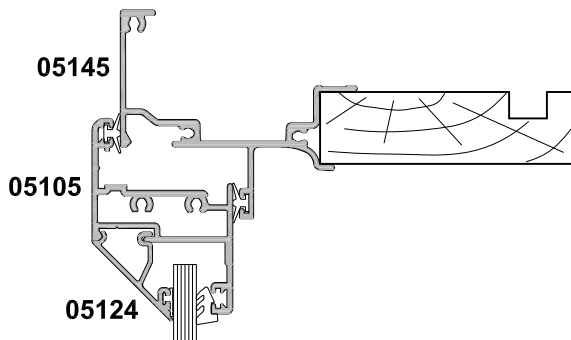
DATE
01.04.19

SCALE
1:2



SF With Overlight / Ventlight

SECTION A-A



SECTION B-B

