

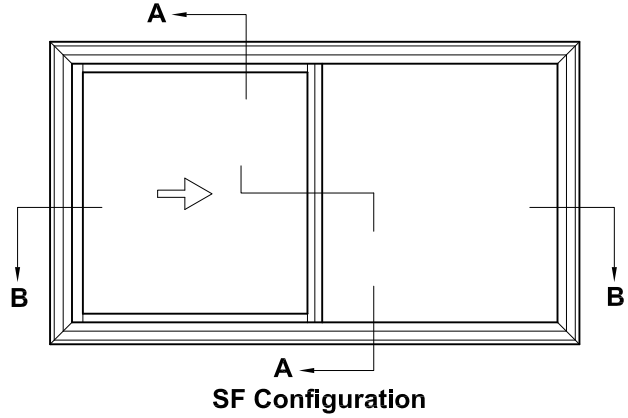
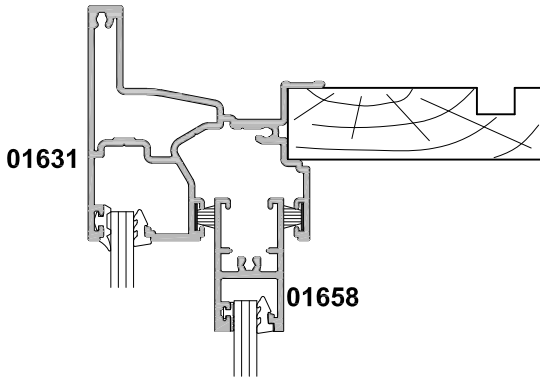


SLIMLINE SLIDING WINDOW
SF SINGLE SLIDING PANEL
CROSS SECTION

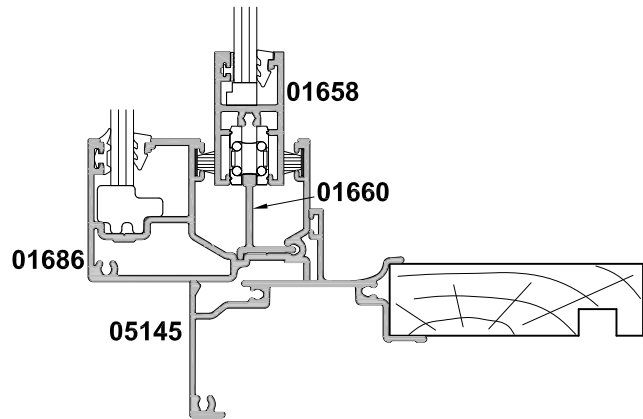
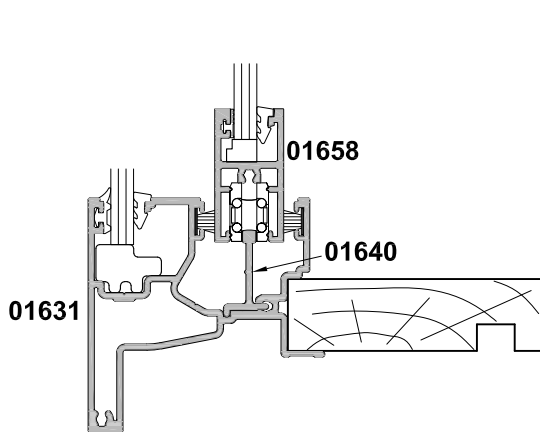
CAD REF. VSL01-0

DATE
01.04.19

SCALE
1:2



SECTION A-A



INSERT FRAME OPTION

SECTION B-B

