



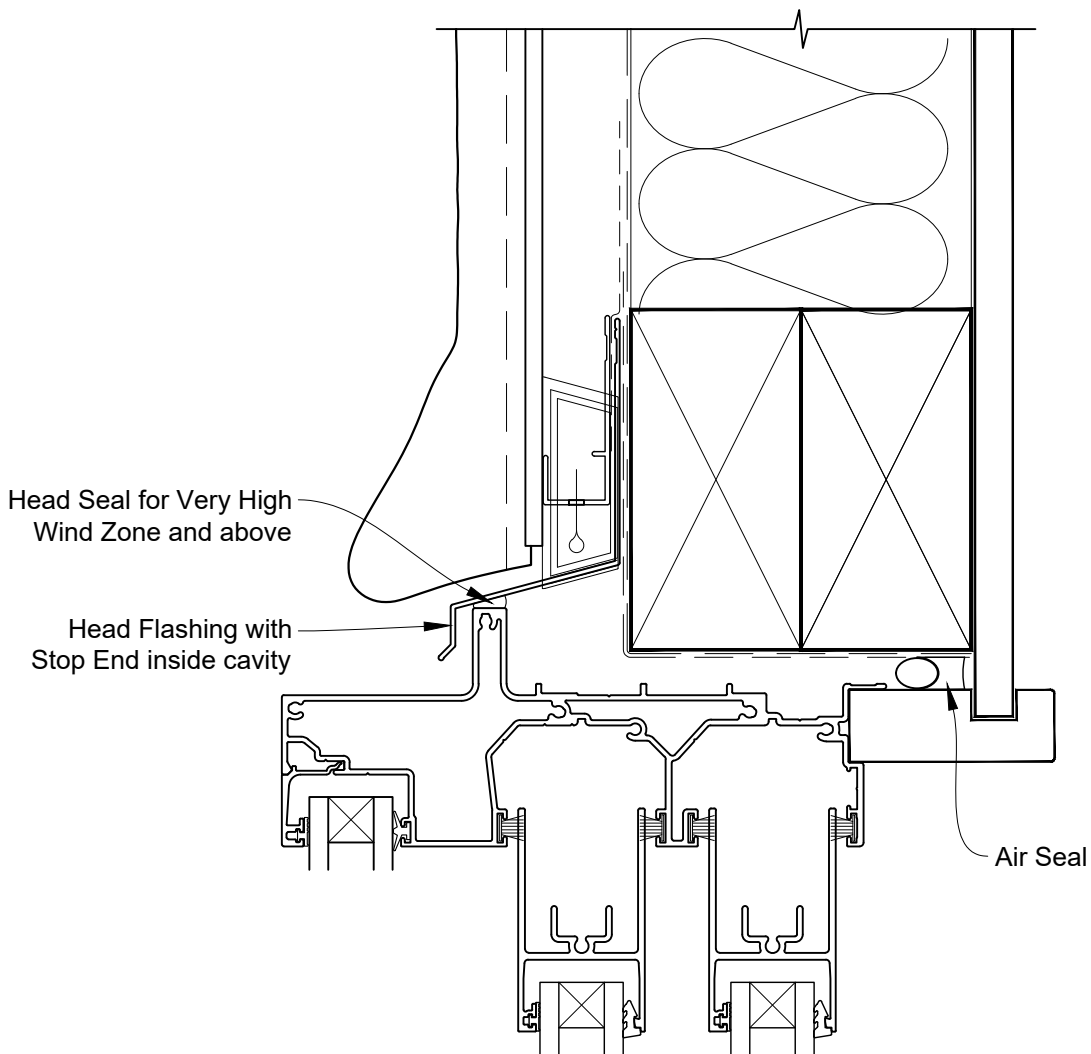
INSTALLATION DETAIL - VANTAGE RESIDENTIAL MULTISLIDER DOOR ON STUCCO CAVITY CONSTRUCTION

Date: 01.04.19

Scale: 1:2

CAD Ref.: VRMWST-CSH

STEPPED MULTISLIDER DOOR FRAME OPTION





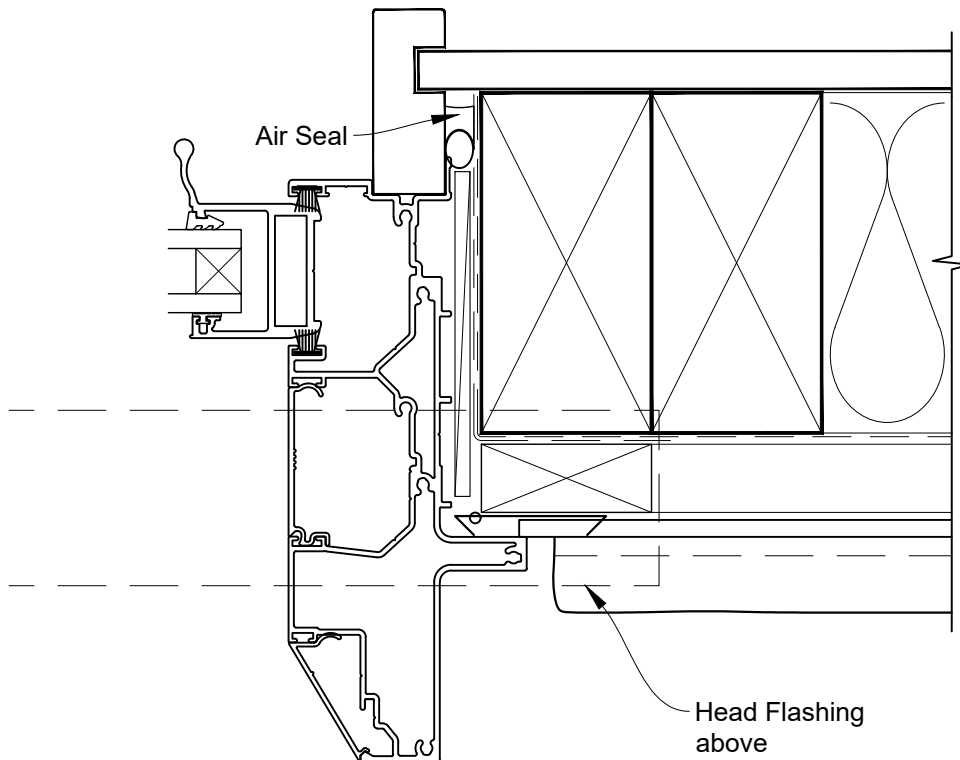
INSTALLATION DETAIL - VANTAGE RESIDENTIAL MULTISLIDER DOOR ON STUCCO CAVITY CONSTRUCTION

Date: 01.04.19

Scale: 1:2

CAD Ref.: VRMWST-CSJ

STEPPED MULTISLIDER DOOR FRAME OPTION





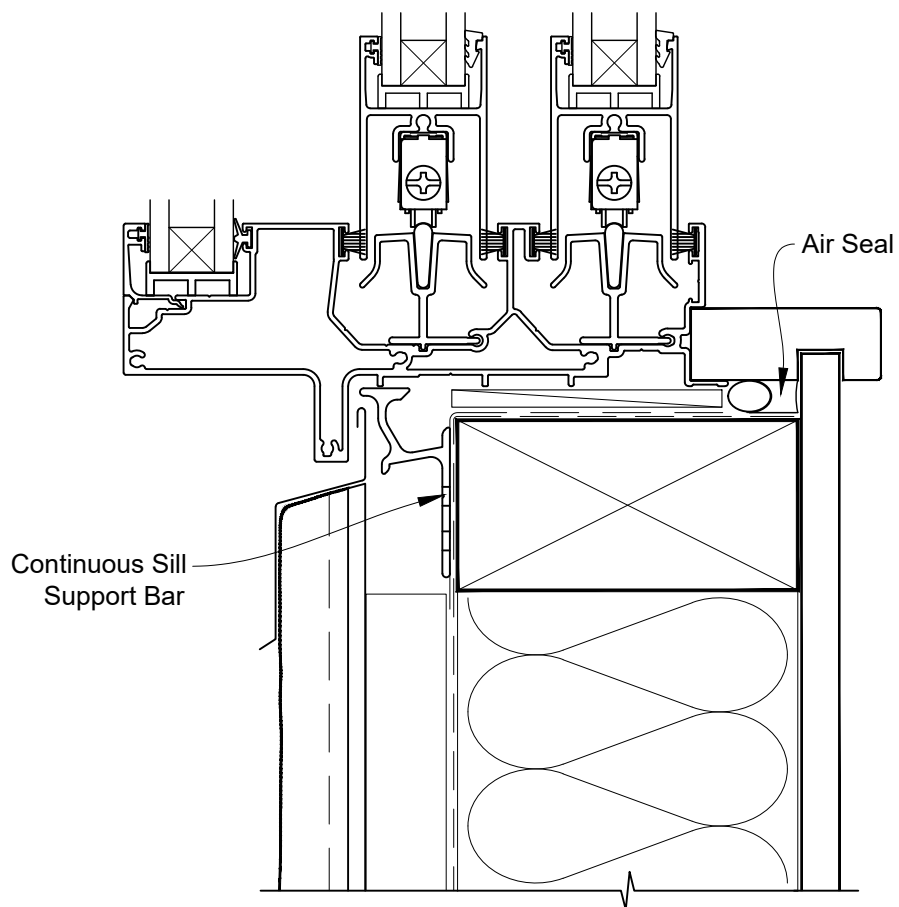
INSTALLATION DETAIL - VANTAGE RESIDENTIAL MULTISLIDER DOOR ON STUCCO CAVITY CONSTRUCTION

Date: 01.04.19

Scale: 1:2

CAD Ref.: VRMWST-CSS

STEPPED MULTISLIDER DOOR FRAME OPTION





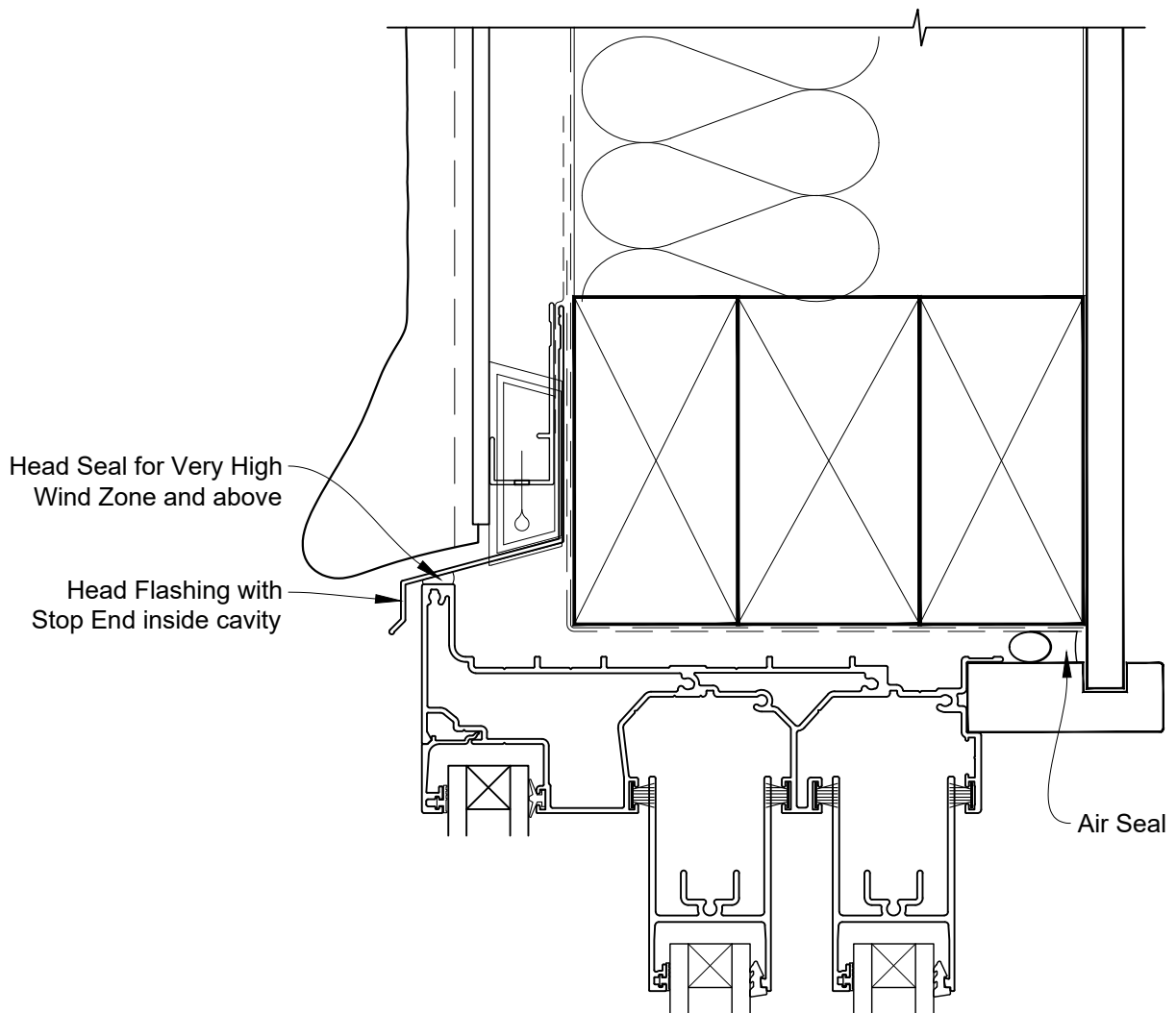
INSTALLATION DETAIL - VANTAGE RESIDENTIAL MULTISLIDER DOOR ON STUCCO CAVITY CONSTRUCTION

Date: 01.04.19

Scale: 1:2

CAD Ref.: VRMWST-CFH

FLAT MULTISLIDER DOOR FRAME OPTION





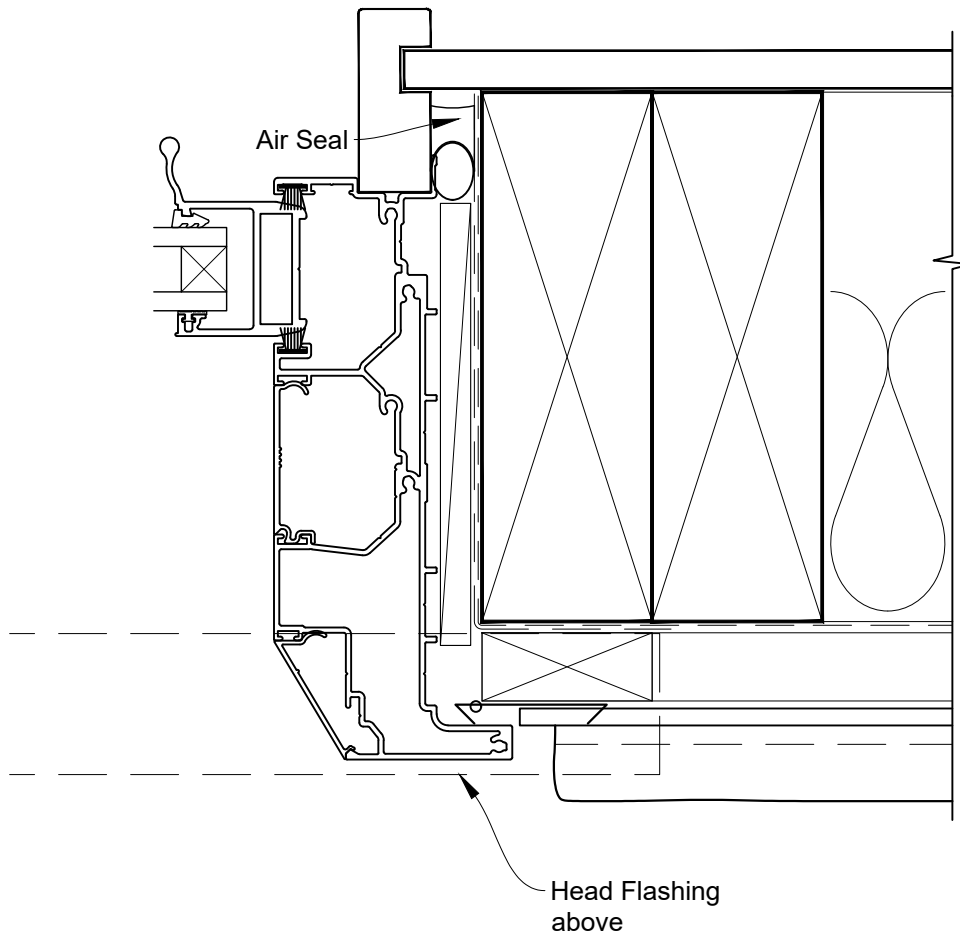
INSTALLATION DETAIL - VANTAGE RESIDENTIAL MULTISLIDER DOOR ON STUCCO CAVITY CONSTRUCTION

Date: 01.04.19

Scale: 1:2

CAD Ref.: VRMWST-CFJ

FLAT MULTISLIDER DOOR FRAME OPTION





**INSTALLATION DETAIL - VANTAGE RESIDENTIAL
MULTISLIDER DOOR ON STUCCO
CAVITY CONSTRUCTION**

Date: 01.04.19

Scale: 1:2

CAD Ref.: VRMWST-CFS

FLAT MULTISLIDER DOOR FRAME OPTION

