

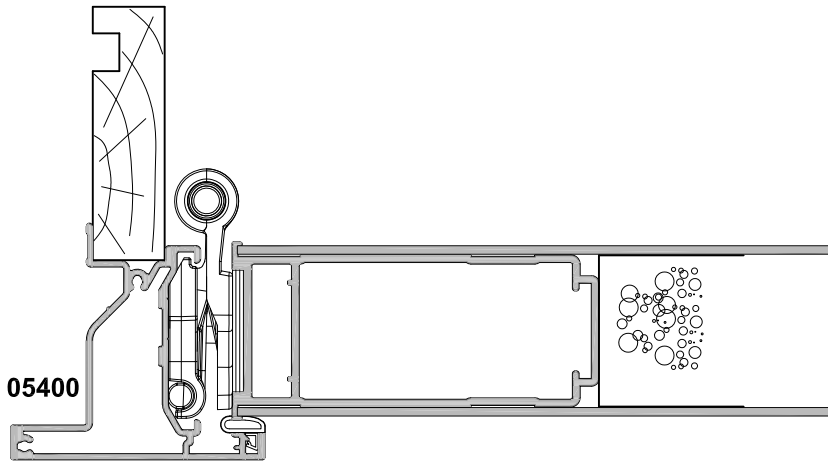
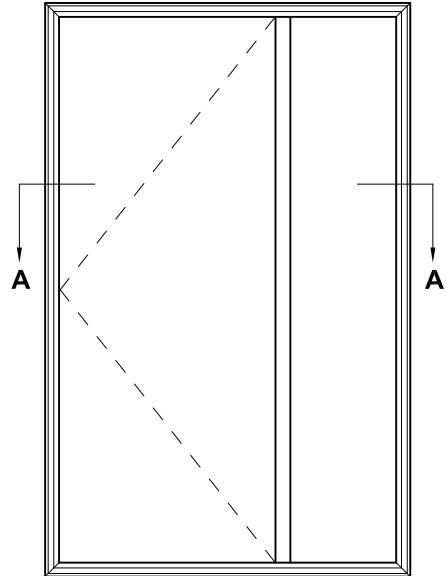


PLASMA ENTRANCE DOOR & SIDELIGHT CROSS SECTION

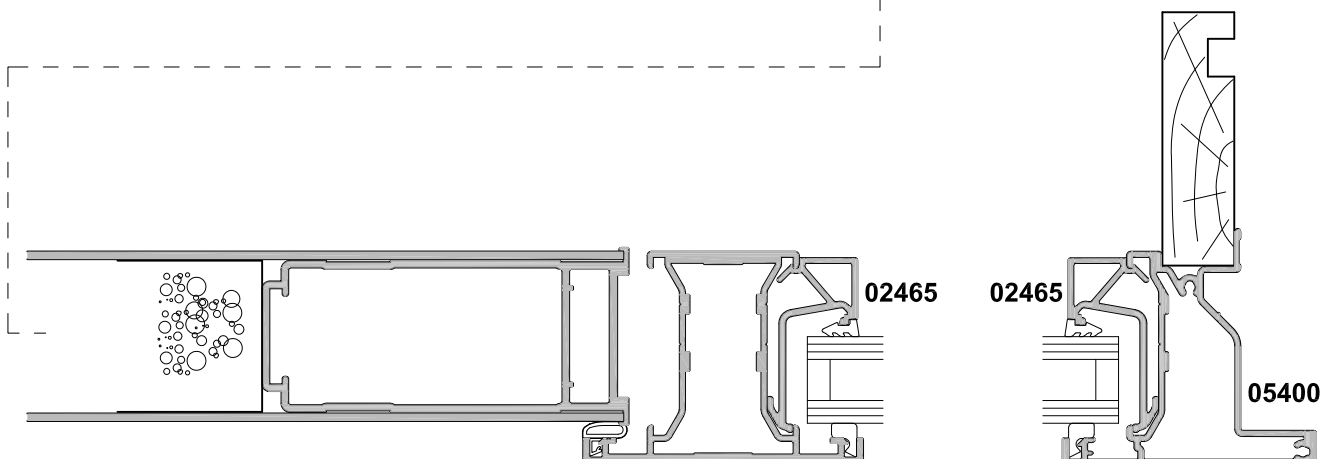
CAD REF. VPD02-0

DATE
01.04.19

SCALE
1:2



SECTION A-A



02462 Mullion
Refer to tables for
span requirements