



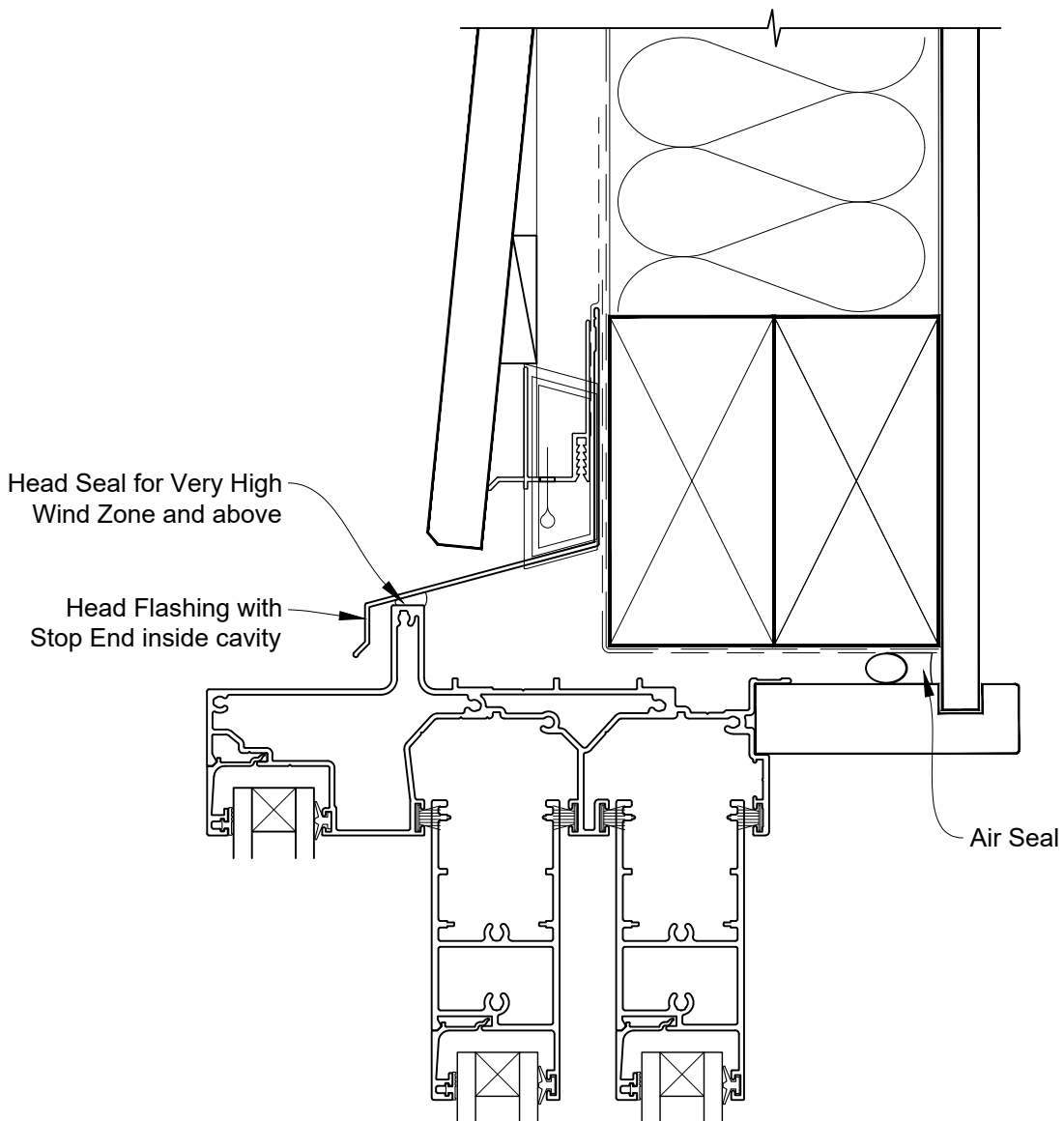
INSTALLATION DETAIL - VANTAGE RESIDENTIAL MULTISLIDER DOOR ON BEVELBACK WEATHERBOARD CAVITY CONSTRUCTION

Date: 01.04.19

Scale: 1:2

CAD Ref.: VRMDBW-CSH

STEPPED MULTISLIDER DOOR FRAME OPTION





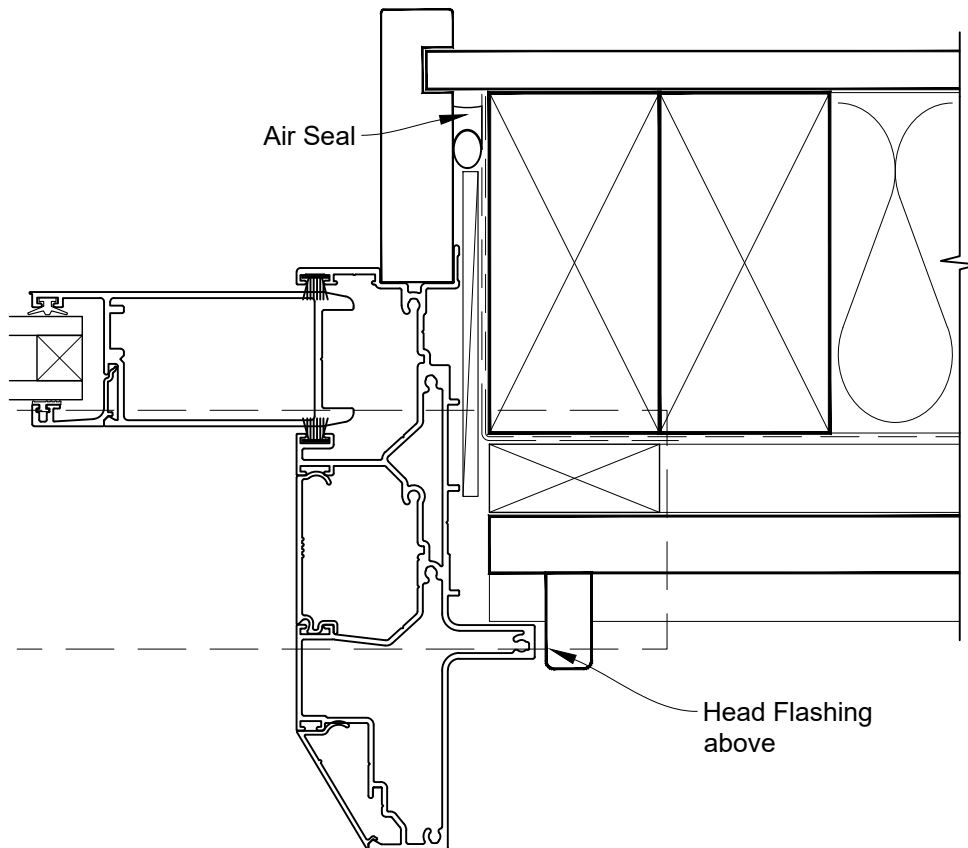
INSTALLATION DETAIL - VANTAGE RESIDENTIAL MULTISLIDER DOOR ON BEVELBACK WEATHERBOARD CAVITY CONSTRUCTION

Date: 01.04.19

Scale: 1:2

CAD Ref.: VRMDBW-CSJ

STEPPED MULTISLIDER DOOR FRAME OPTION





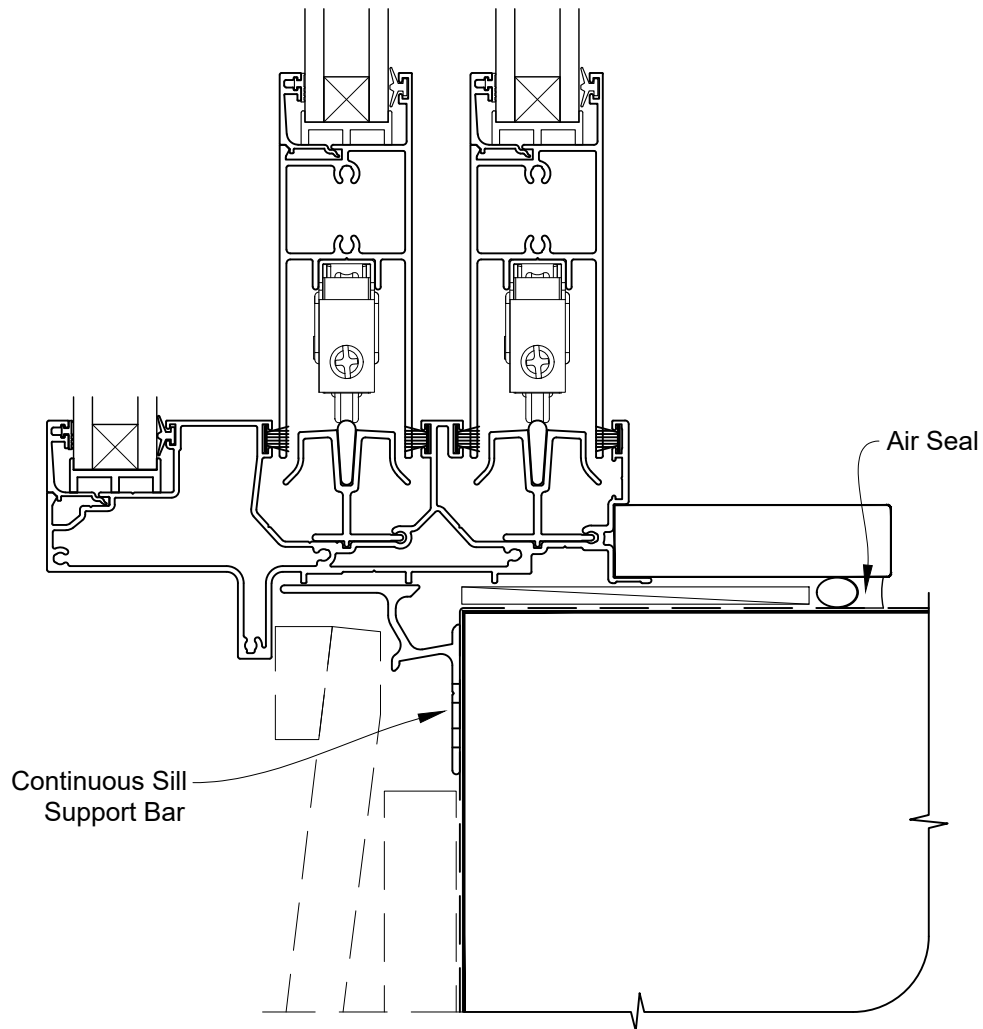
INSTALLATION DETAIL - VANTAGE RESIDENTIAL MULTISLIDER DOOR ON BEVELBACK WEATHERBOARD CAVITY CONSTRUCTION

Date: 01.04.19

Scale: 1:2

CAD Ref.: VRMDBW-CSS

STEPPED MULTISLIDER DOOR FRAME OPTION





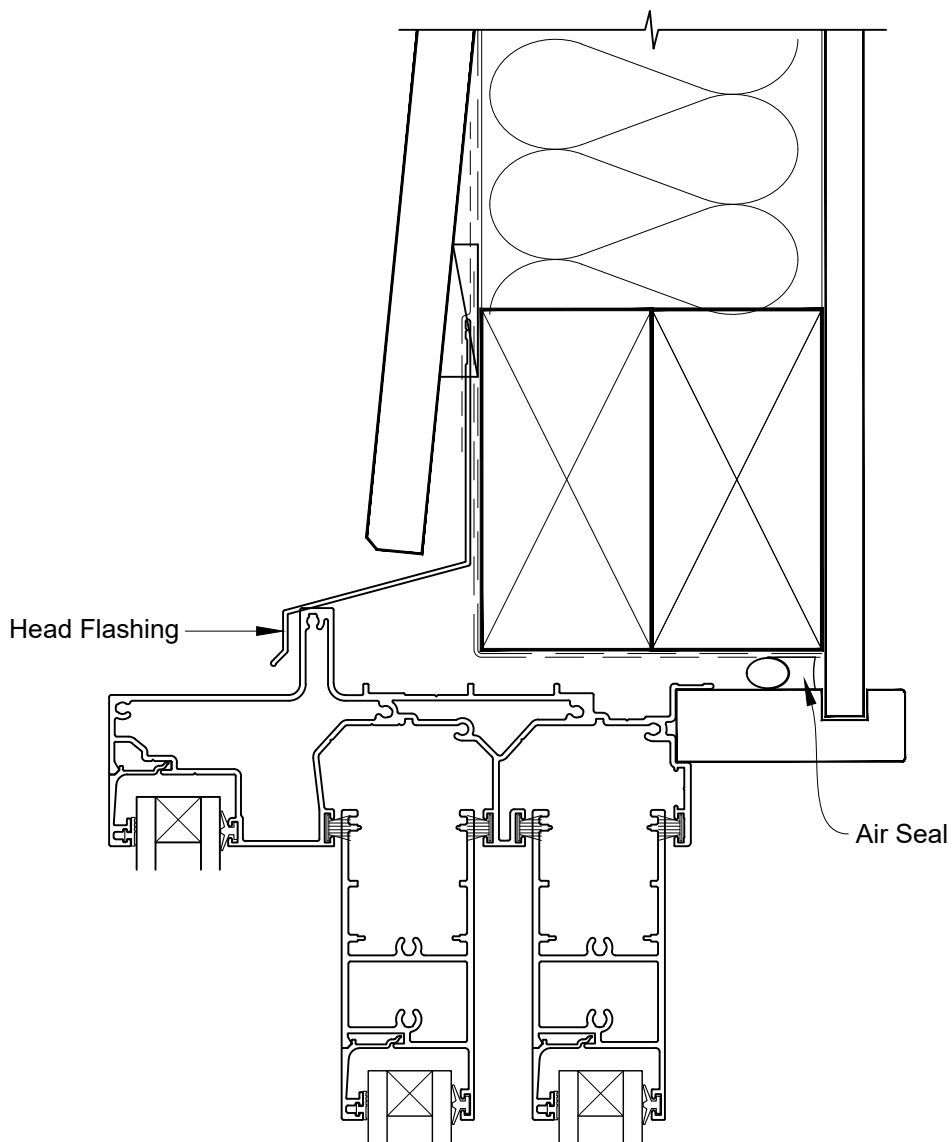
INSTALLATION DETAIL - VANTAGE RESIDENTIAL MULTISLIDER DOOR ON BEVELBACK WEATHERBOARD DIRECT FIXED CONSTRUCTION

Date: 01.04.19

Scale: 1:2

CAD Ref.: VRMDBW-DSH

STEPPED MULTISLIDER DOOR FRAME OPTION





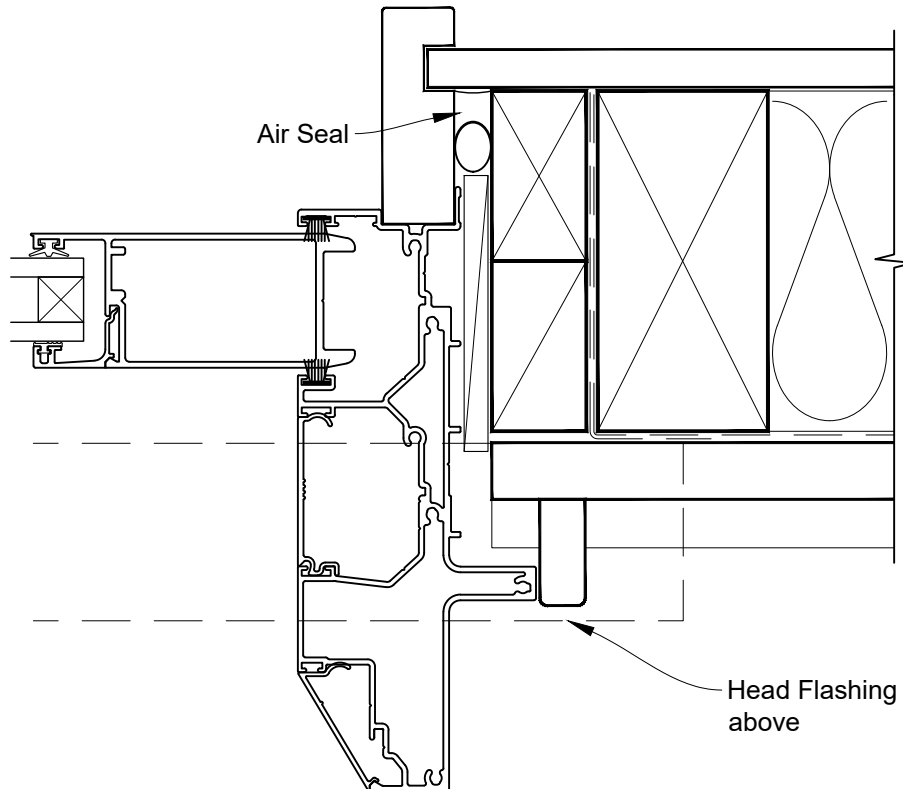
INSTALLATION DETAIL - VANTAGE RESIDENTIAL MULTISLIDER DOOR ON BEVELBACK WEATHERBOARD DIRECT FIXED CONSTRUCTION

Date: 01.04.19

Scale: 1:2

CAD Ref.: VRMDBW-DSJ

STEPPED MULTISLIDER DOOR FRAME OPTION





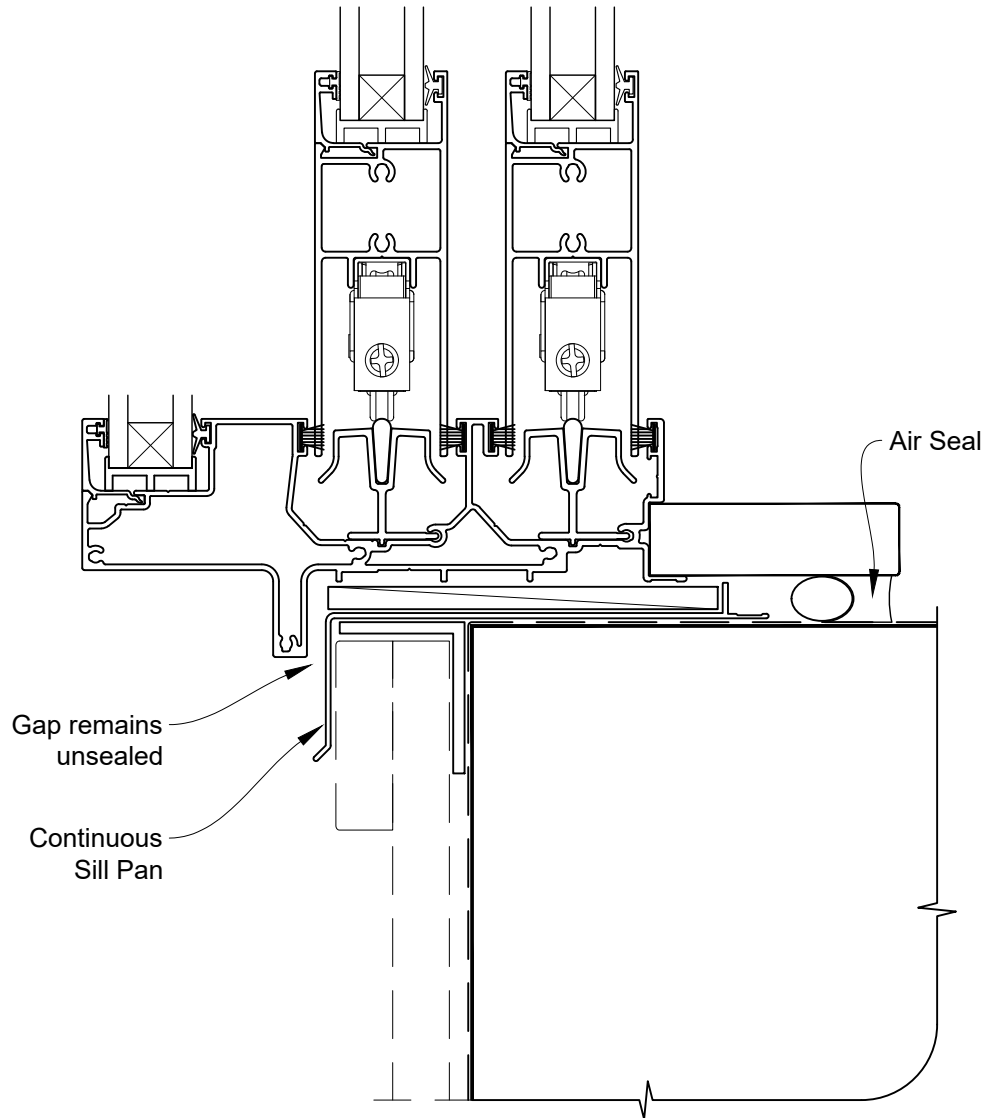
INSTALLATION DETAIL - VANTAGE RESIDENTIAL MULTISLIDER DOOR ON BEVELBACK WEATHERBOARD DIRECT FIXED CONSTRUCTION

Date: 01.04.19

Scale: 1:2

CAD Ref.: VRMDBW-DSS

STEPPED MULTISLIDER DOOR FRAME OPTION





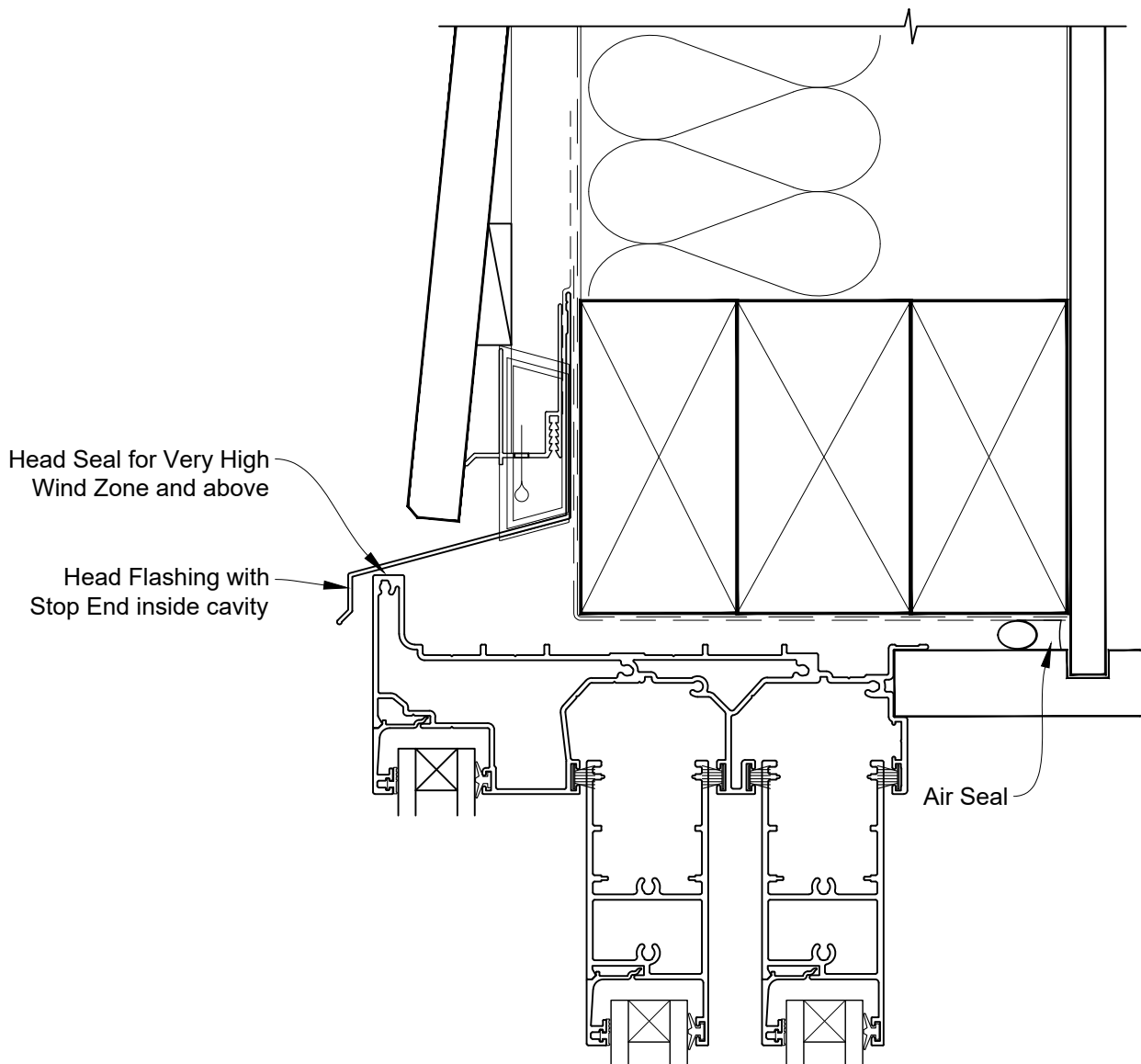
INSTALLATION DETAIL - VANTAGE RESIDENTIAL MULTISLIDER DOOR ON BEVELBACK WEATHERBOARD CAVITY CONSTRUCTION

Date: 01.04.19

Scale: 1:2

CAD Ref.: VRMDBW-CFH

FLAT MULTISLIDER DOOR FRAME OPTION





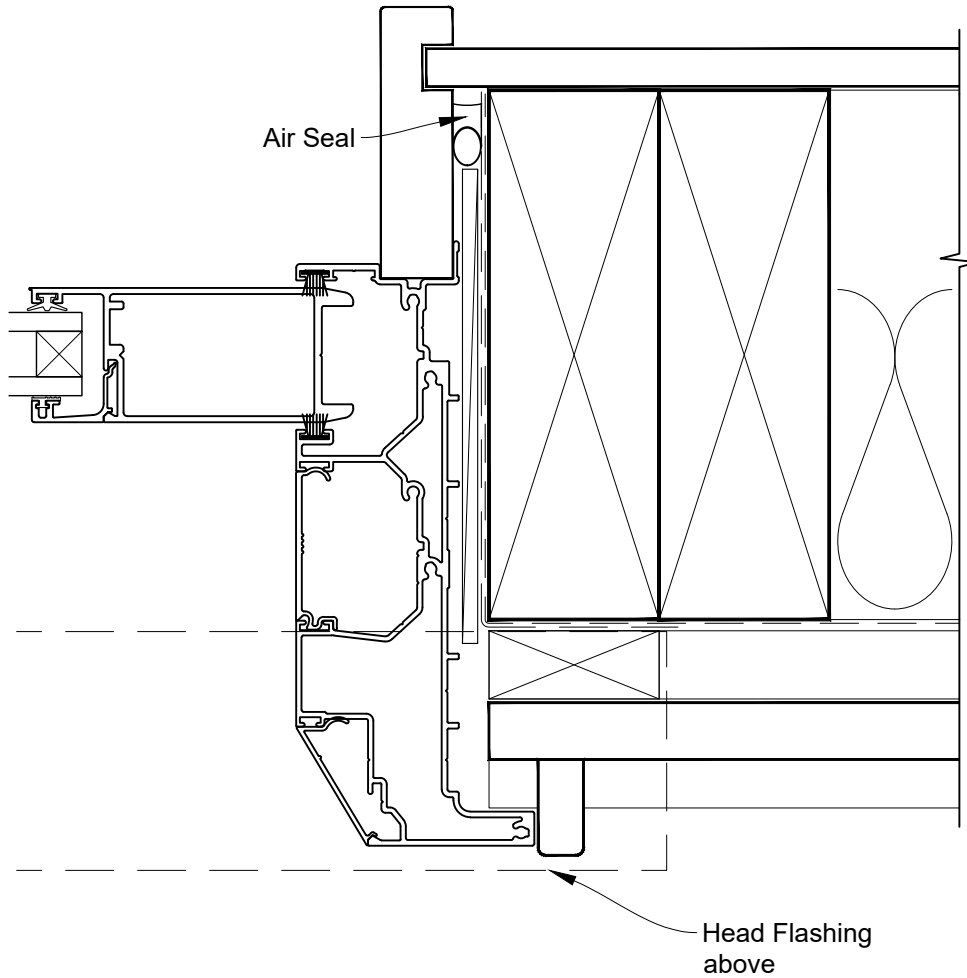
INSTALLATION DETAIL - VANTAGE RESIDENTIAL MULTISLIDER DOOR ON BEVELBACK WEATHERBOARD CAVITY CONSTRUCTION

Date: 01.04.19

Scale: 1:2

CAD Ref.: VRMDBW-CFJ

FLAT MULTISLIDER DOOR FRAME OPTION





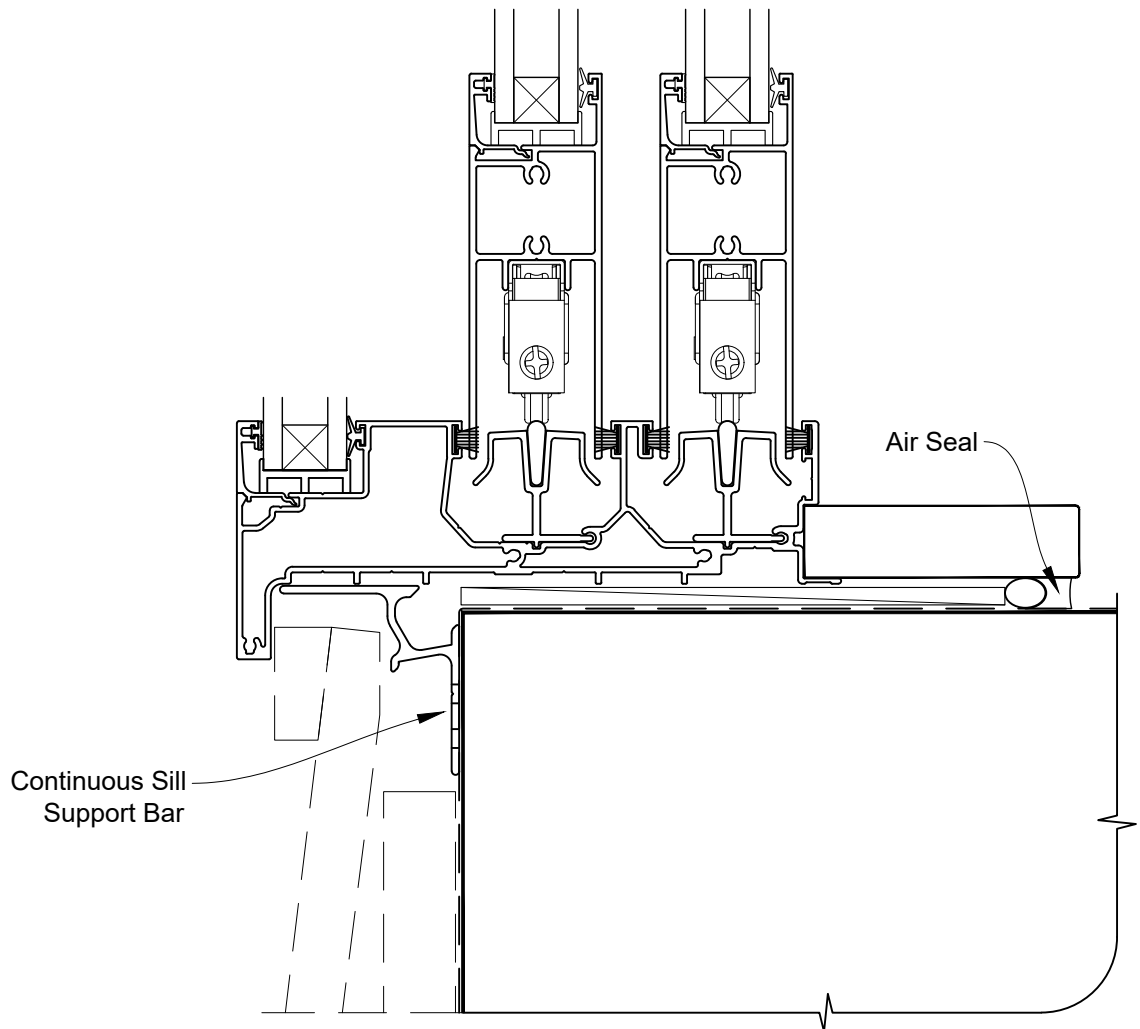
INSTALLATION DETAIL - VANTAGE RESIDENTIAL MULTISLIDER DOOR ON BEVELBACK WEATHERBOARD CAVITY CONSTRUCTION

Date: 01.04.19

Scale: 1:2

CAD Ref.: VRMDBW-CFS

FLAT MULTISLIDER DOOR FRAME OPTION





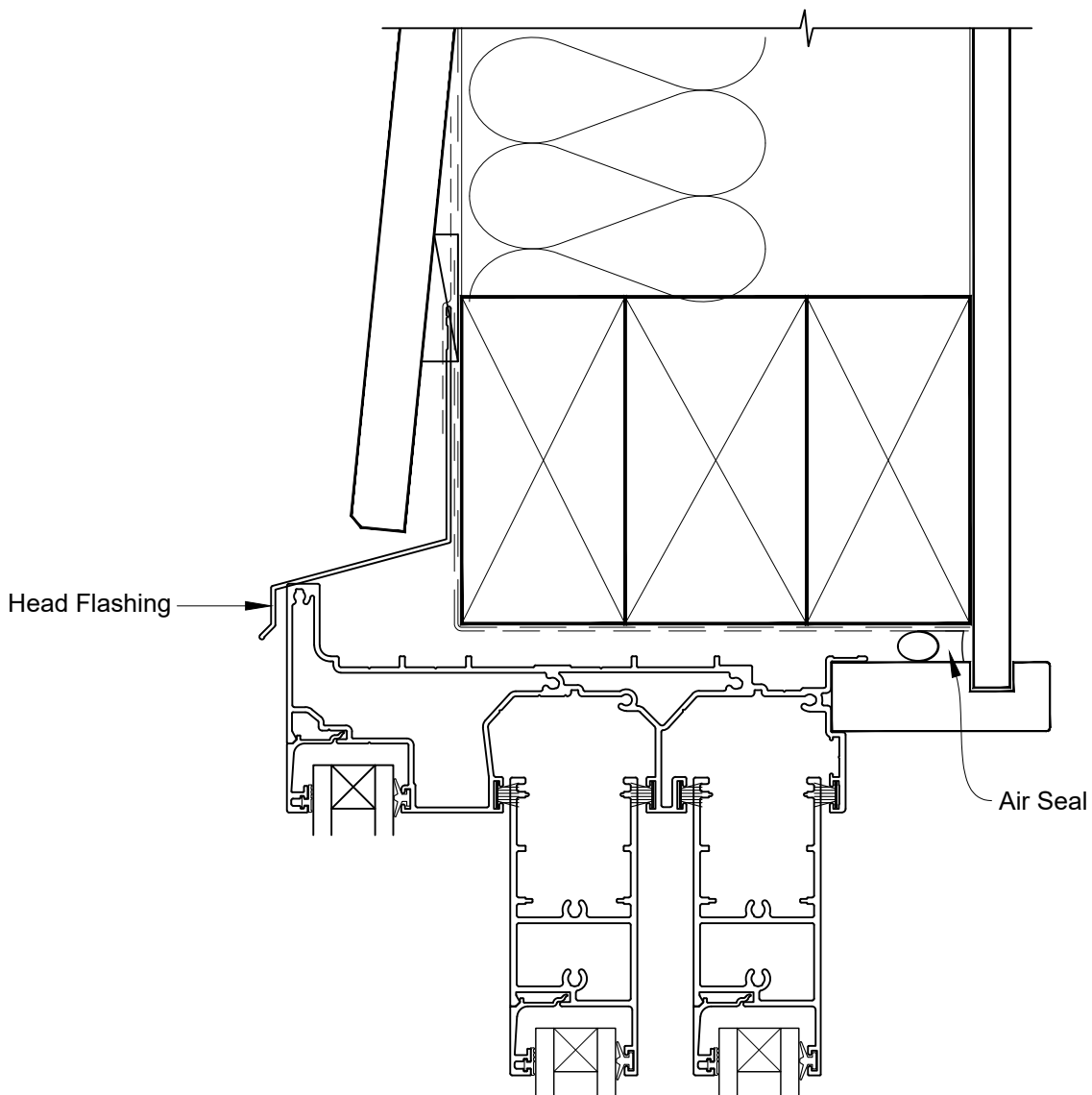
INSTALLATION DETAIL - VANTAGE RESIDENTIAL MULTISLIDER DOOR ON BEVELBACK WEATHERBOARD DIRECT FIXED CONSTRUCTION

Date: 01.04.19

Scale: 1:2

CAD Ref.: VRMDBW-DFH

FLAT MULTISLIDER DOOR FRAME OPTION





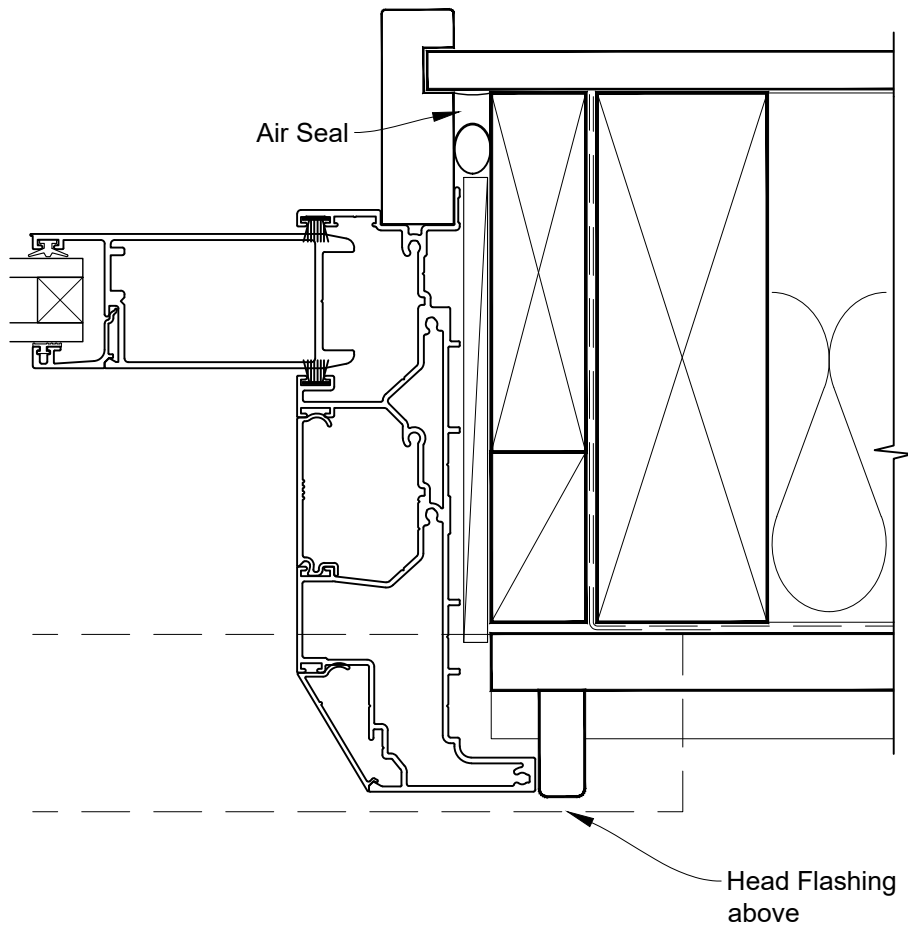
INSTALLATION DETAIL - VANTAGE RESIDENTIAL MULTISLIDER DOOR ON BEVELBACK WEATHERBOARD DIRECT FIXED CONSTRUCTION

Date: 01.04.19

Scale: 1:2

CAD Ref.: VRMDBW-DFJ

FLAT MULTISLIDER DOOR FRAME OPTION





INSTALLATION DETAIL - VANTAGE RESIDENTIAL MULTISLIDER DOOR ON BEVELBACK WEATHERBOARD DIRECT FIXED CONSTRUCTION

Date: 01.04.19

Scale: 1:2

CAD Ref.: VRMDBW-DFS

FLAT MULTISLIDER DOOR FRAME OPTION

