

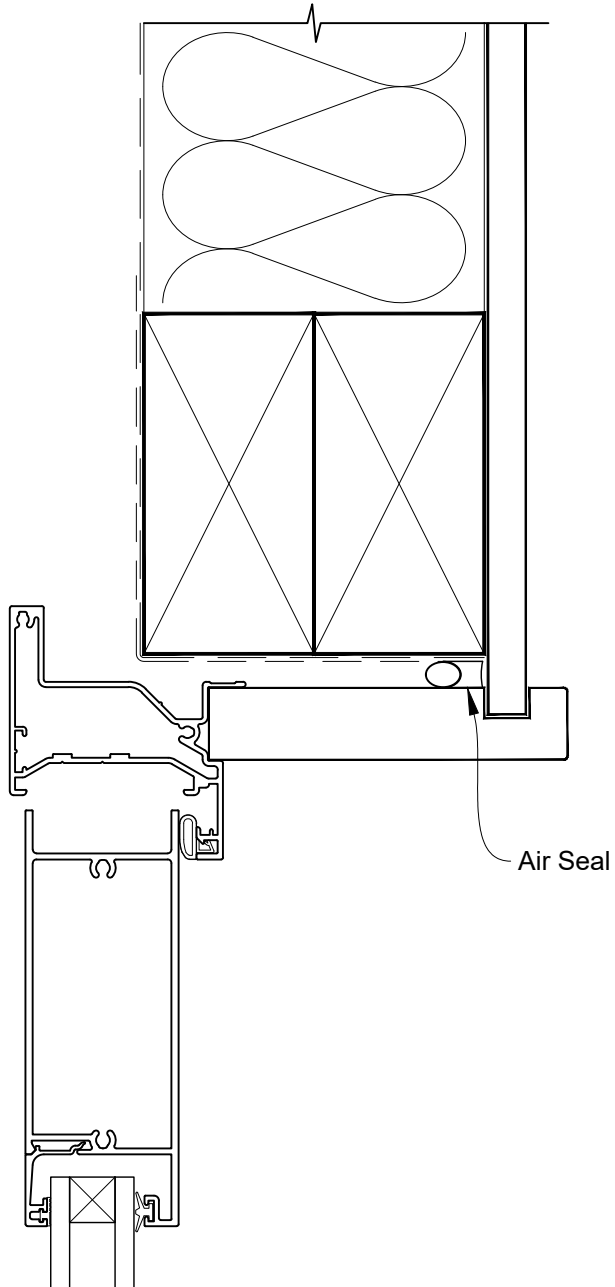


**INSTALLATION DETAIL - VANTAGE RESIDENTIAL
HINGED DOOR OPEN OUT ON NO CLADDING
CAVITY CONSTRUCTION**

Date: 01.04.19

Scale: 1:2

CAD Ref.: VRHONC-MODEL



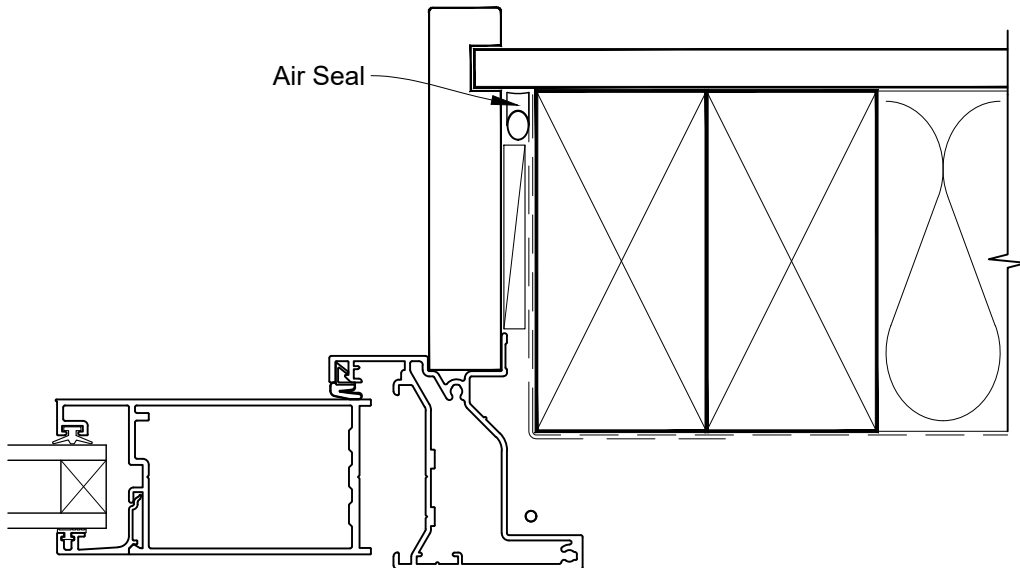


**INSTALLATION DETAIL - VANTAGE RESIDENTIAL
HINGED DOOR OPEN OUT ON NO CLADDING
CAVITY CONSTRUCTION**

Date: 01.04.19

Scale: 1:2

CAD Ref.: VRHONC-MODEL



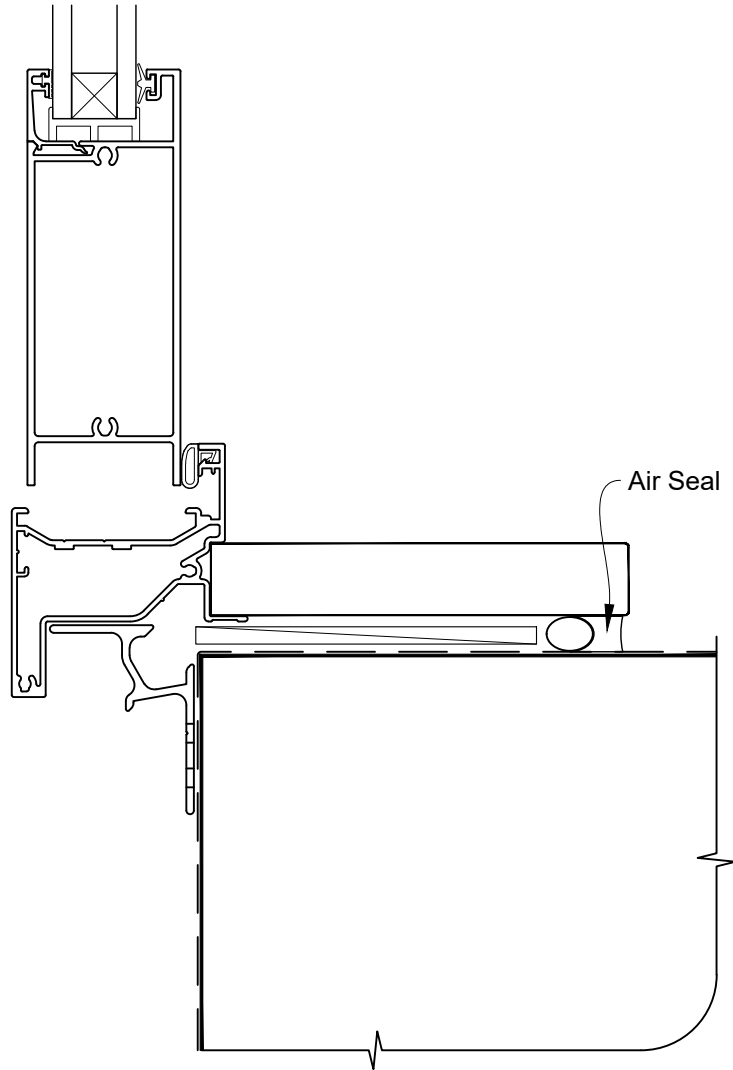


**INSTALLATION DETAIL - VANTAGE RESIDENTIAL
HINGED DOOR OPEN OUT ON NO CLADDING
CAVITY CONSTRUCTION**

Date: 01.04.19

Scale: 1:2

CAD Ref.: VRHONC-MODEL



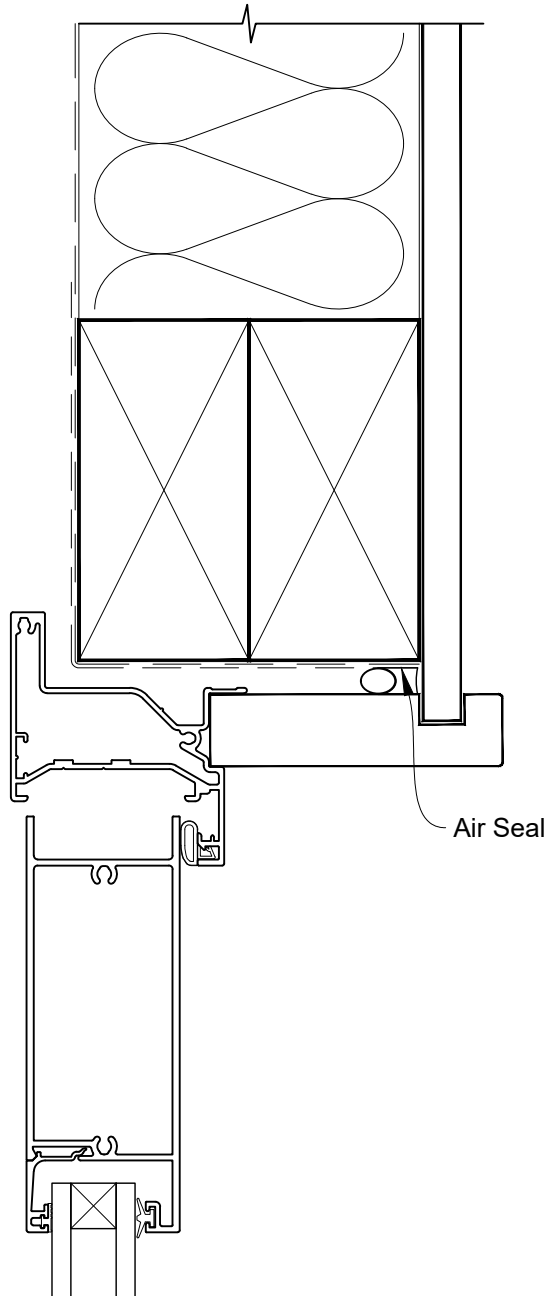


**INSTALLATION DETAIL - VANTAGE RESIDENTIAL
HINGED DOOR OPEN OUT ON NO CLADDING
DIRECT FIXED CLADDING**

Date: 01.04.19

Scale: 1:2

CAD Ref.: VRHONC-MODEL



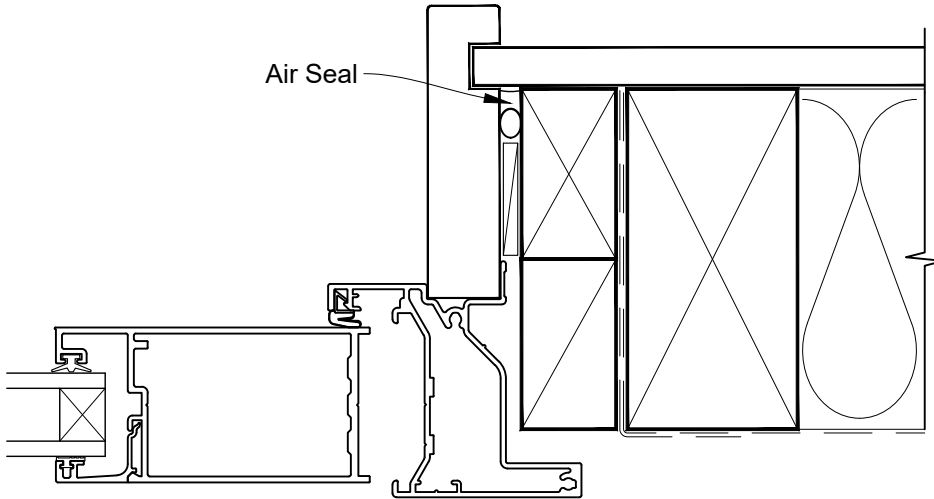


**INSTALLATION DETAIL - VANTAGE RESIDENTIAL
HINGED DOOR OPEN OUT ON NO CLADDING
DIRECT FIXED CLADDING**

Date: 01.04.19

Scale: 1:2

CAD Ref.: VRHONC-MODEL





**INSTALLATION DETAIL - VANTAGE RESIDENTIAL
HINGED DOOR OPEN OUT ON NO CLADDING
DIRECT FIXED CLADDING**

Date: 01.04.19

Scale: 1:2

CAD Ref.: VRHONC-MODEL

