

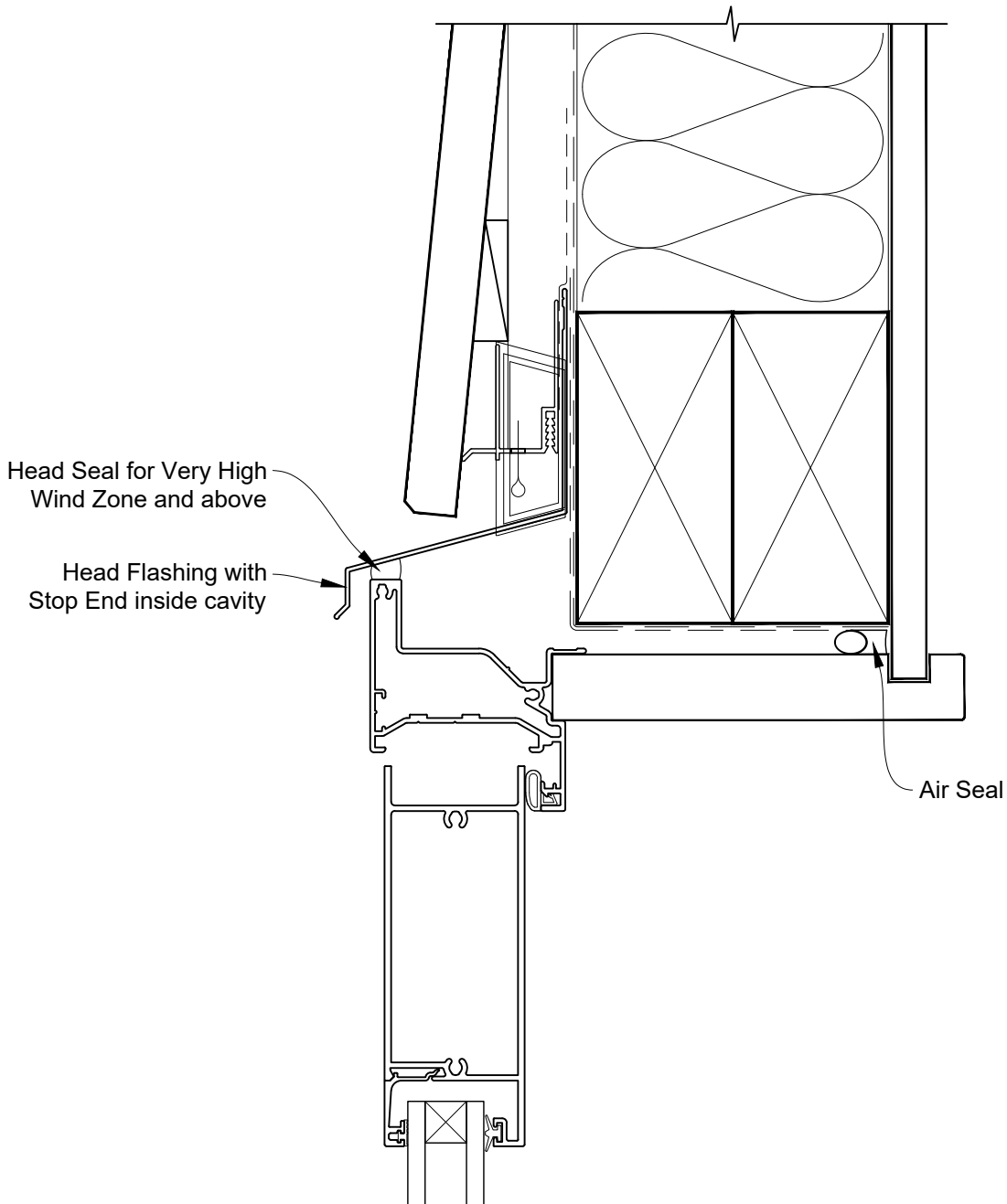


INSTALLATION DETAIL - VANTAGE RESIDENTIAL HINGED DOOR OPEN OUT ON BEVELBACK WEATHERBOARD CAVITY CONSTRUCTION

Date: 01.04.19

Scale: 1:2

CAD Ref.: VRHOBW-CH



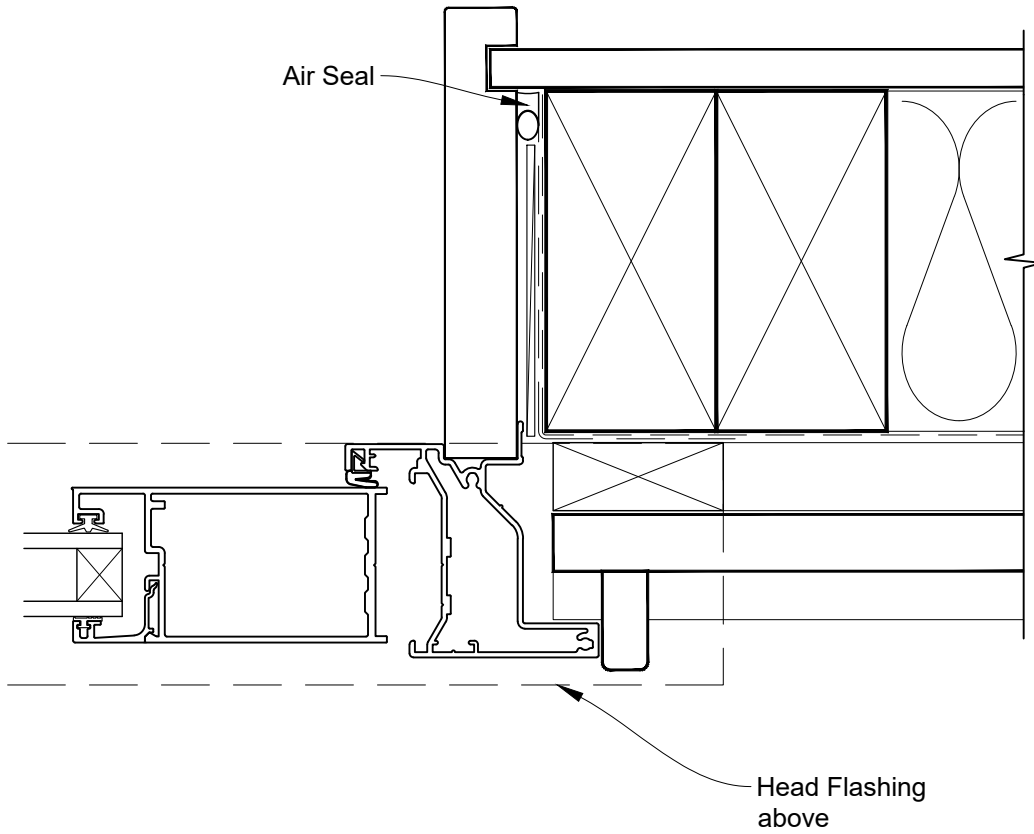


**INSTALLATION DETAIL - VANTAGE RESIDENTIAL
HINGED DOOR OPEN OUT ON BEVELBACK WEATHERBOARD
CAVITY CONSTRUCTION**

Date: 01.04.19

Scale: 1:2

CAD Ref.: VRHOBW-CJ



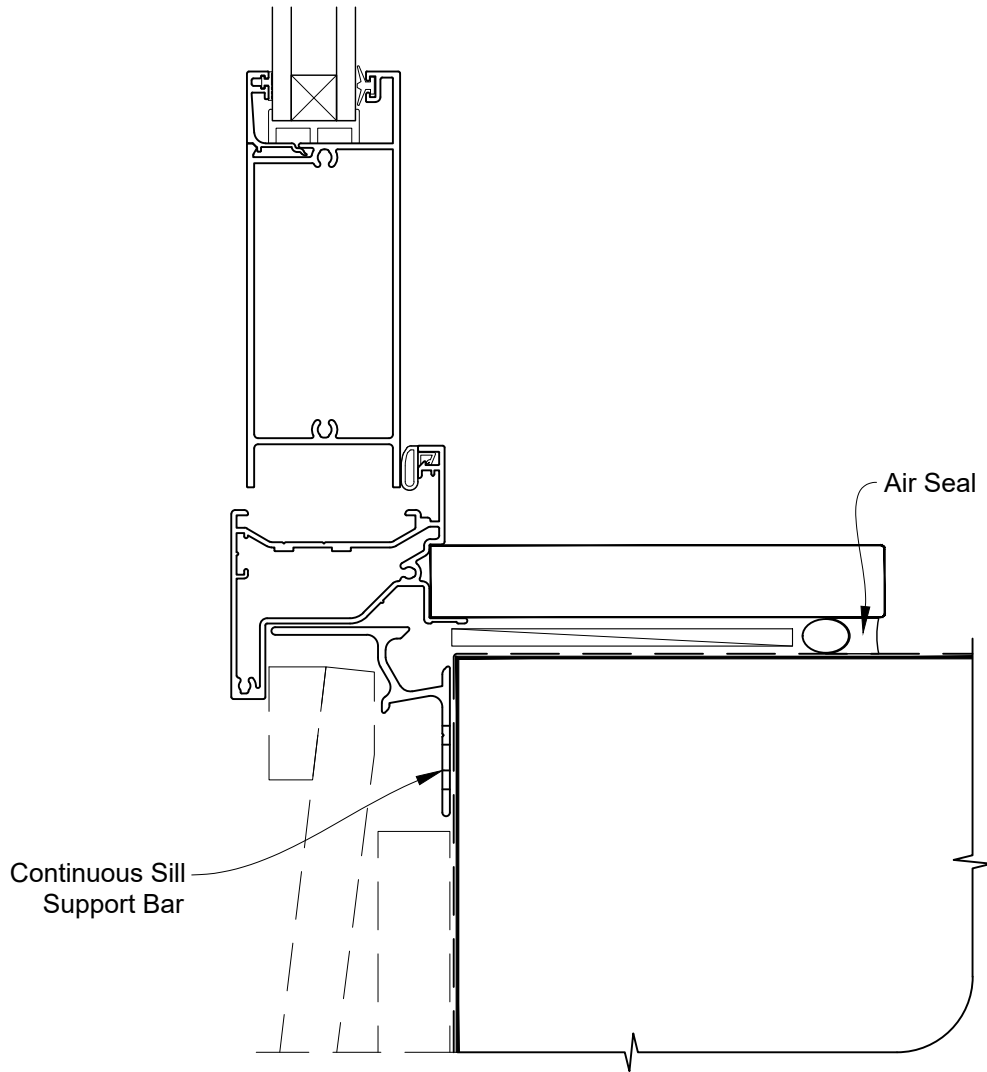


INSTALLATION DETAIL - VANTAGE RESIDENTIAL HINGED DOOR OPEN OUT ON BEVELBACK WEATHERBOARD CAVITY CONSTRUCTION

Date: 01.04.19

Scale: 1:2

CAD Ref.: VRHOBW-CS



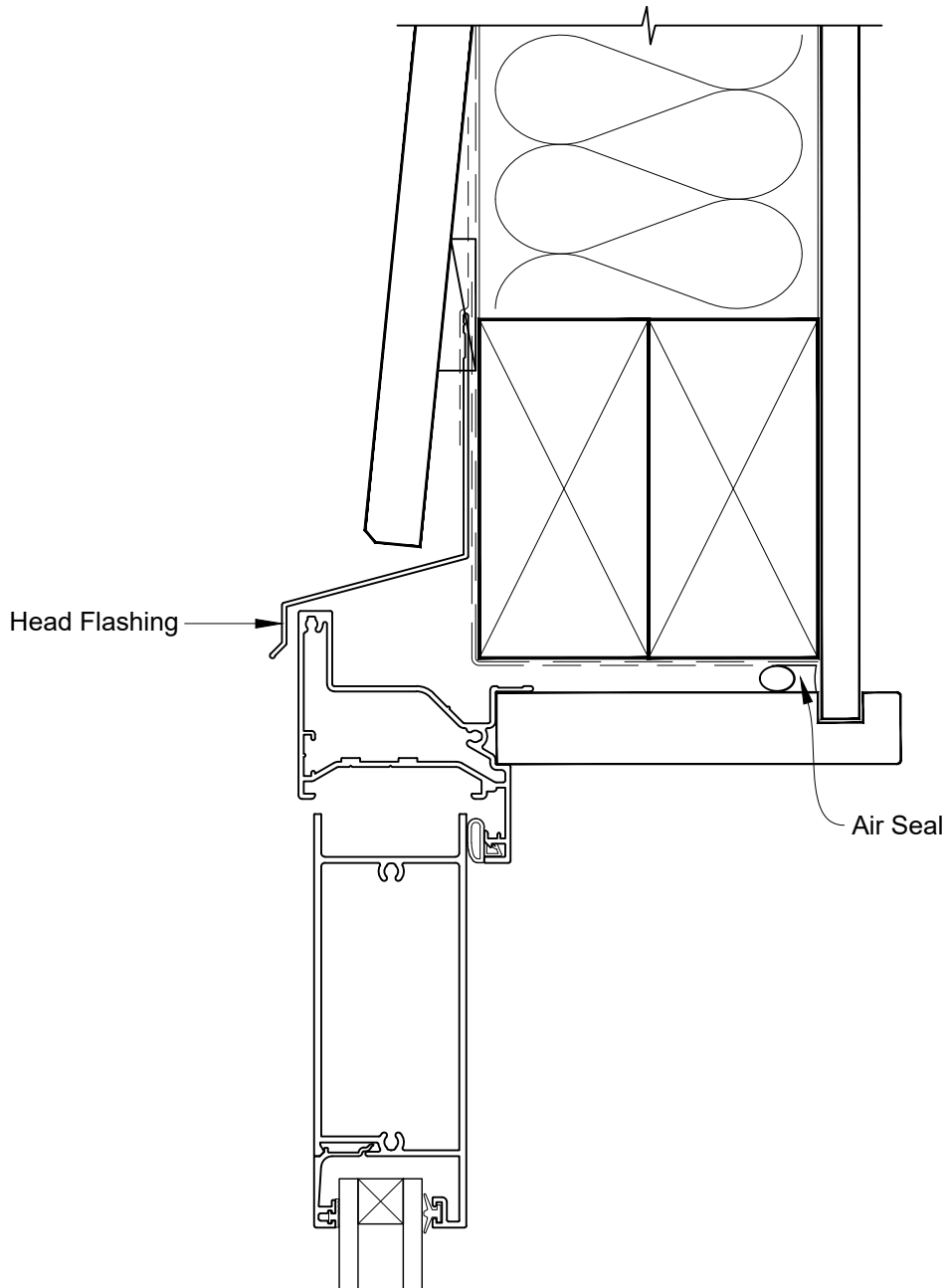


**INSTALLATION DETAIL - VANTAGE RESIDENTIAL
HINGED DOOR OPEN OUT ON BEVELBACK WEATHERBOARD
DIRECT FIXED CLADDING**

Date: 01.04.19

Scale: 1:2

CAD Ref.: VRHOBW-DH



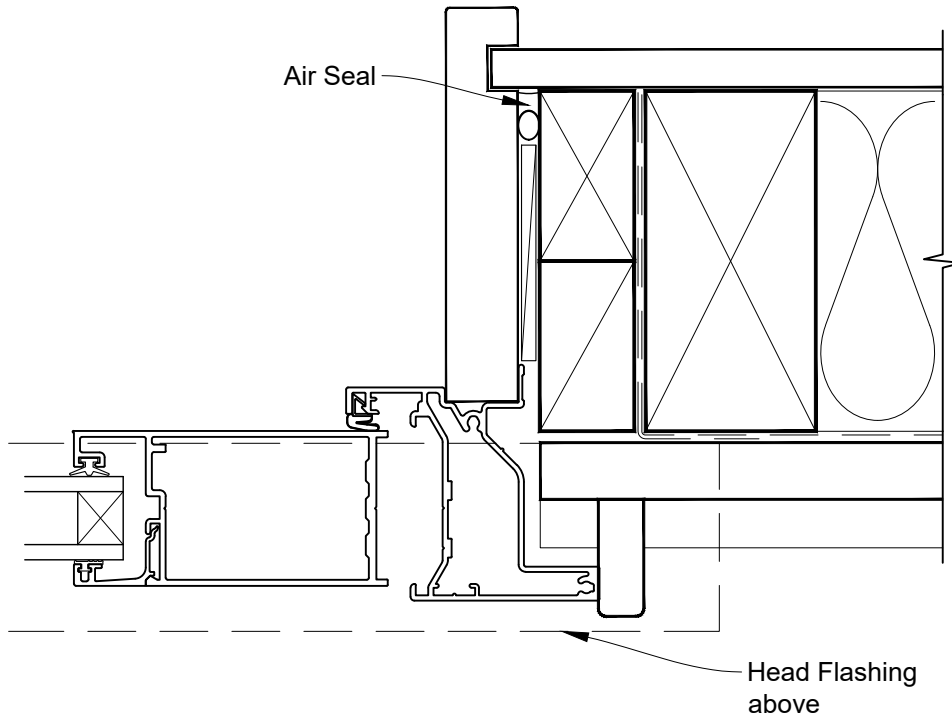


**INSTALLATION DETAIL - VANTAGE RESIDENTIAL
HINGED DOOR OPEN OUT ON BEVELBACK WEATHERBOARD
DIRECT FIXED CLADDING**

Date: 01.04.19

Scale: 1:2

CAD Ref.: VRHOBW-DJ





INSTALLATION DETAIL - VANTAGE RESIDENTIAL HINGED DOOR OPEN OUT ON BEVELBACK WEATHERBOARD DIRECT FIXED CLADDING

Date: 01.04.19

Scale: 1:2

CAD Ref.: VRHOBW-DS

