

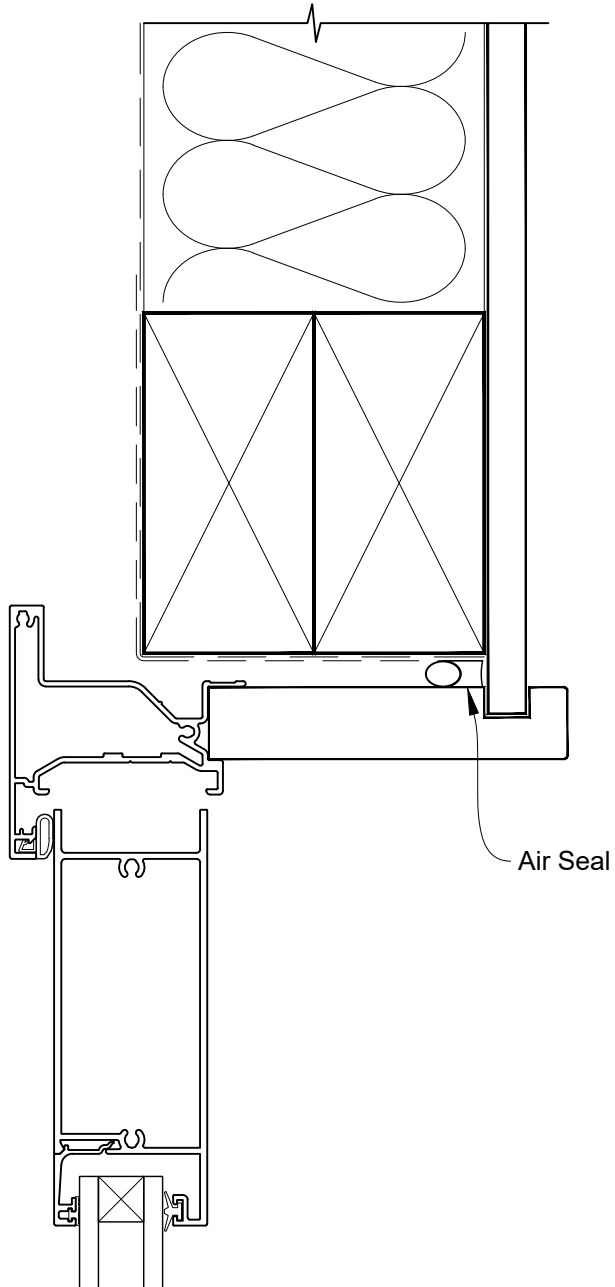


**INSTALLATION DETAIL - VANTAGE RESIDENTIAL  
HINGED DOOR OPEN IN ON NO CLADDING  
CAVITY CONSTRUCTION**

Date: 01.04.19

Scale: 1:2

CAD Ref.: VRHINC-CH



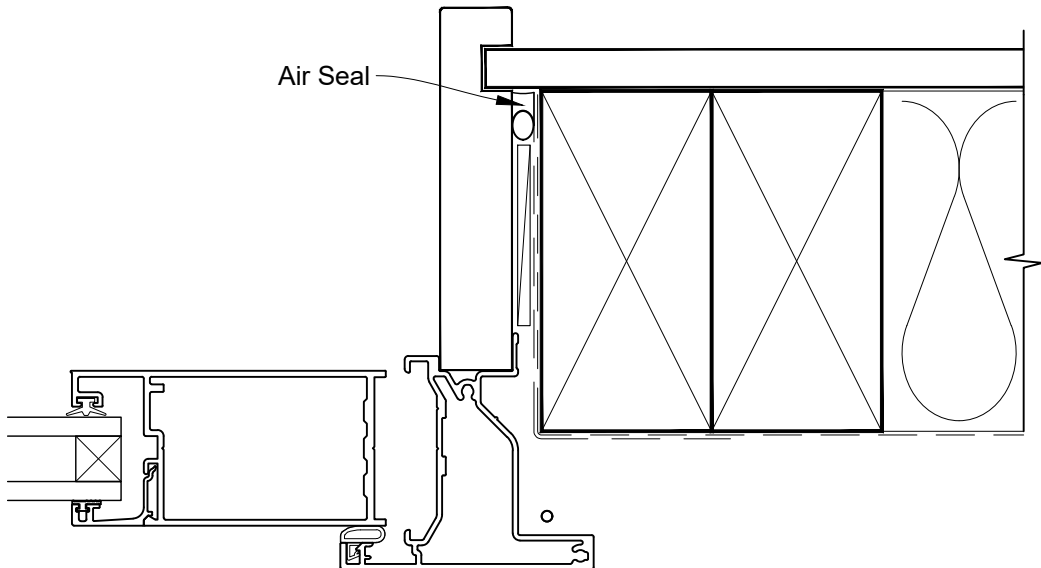


**INSTALLATION DETAIL - VANTAGE RESIDENTIAL  
HINGED DOOR OPEN IN ON NO CLADDING  
CAVITY CONSTRUCTION**

Date: 01.04.19

Scale: 1:2

CAD Ref.: VRHINC-CJ



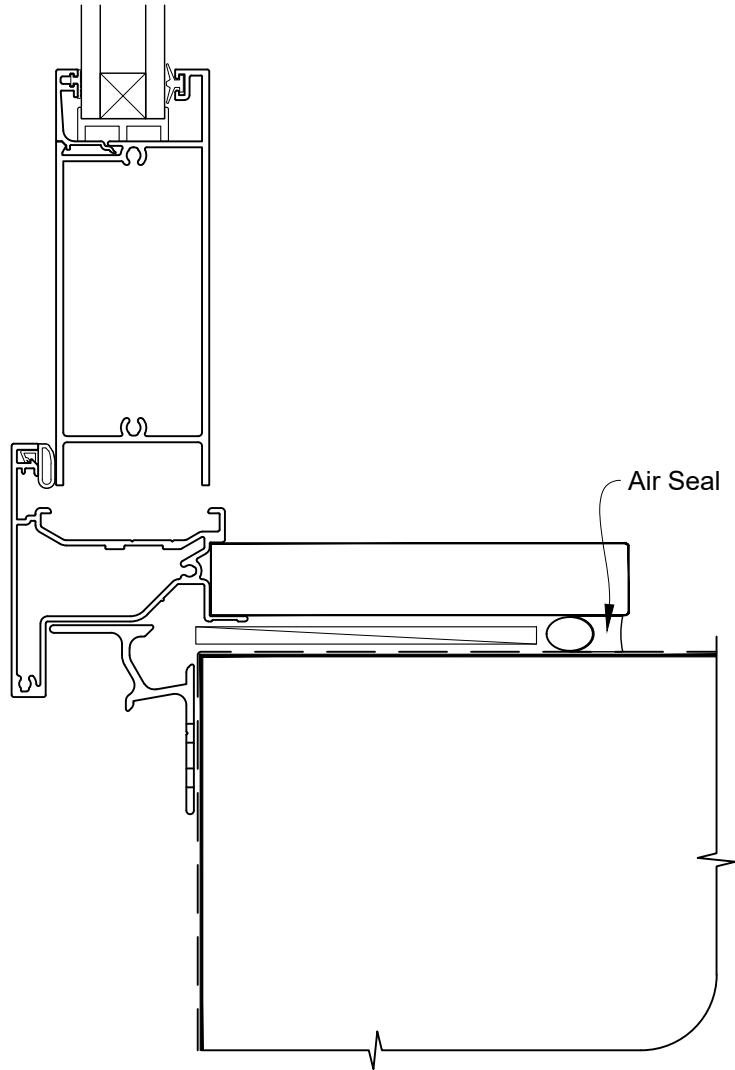


**INSTALLATION DETAIL - VANTAGE RESIDENTIAL  
HINGED DOOR OPEN IN ON NO CLADDING  
CAVITY CONSTRUCTION**

Date: 01.04.19

Scale: 1:2

CAD Ref.: VRHINC-CS



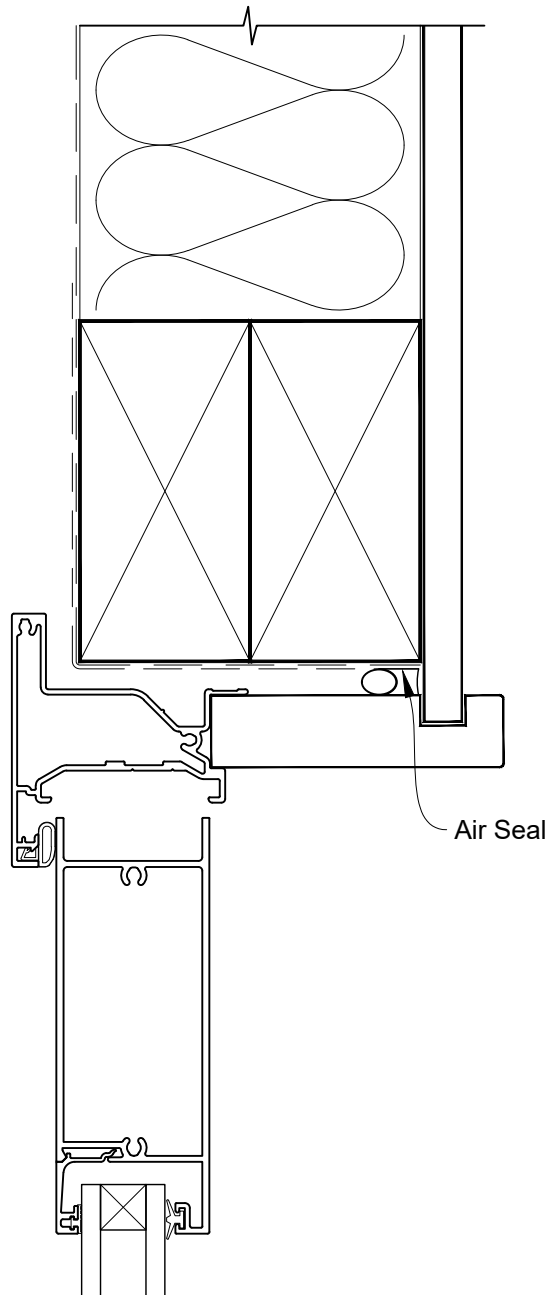


**INSTALLATION DETAIL - VANTAGE RESIDENTIAL  
HINGED DOOR OPEN IN ON NO CLADDING  
DIRECT FIXED CLADDING**

Date: 01.04.19

Scale: 1:2

CAD Ref.: VRHINC-DH



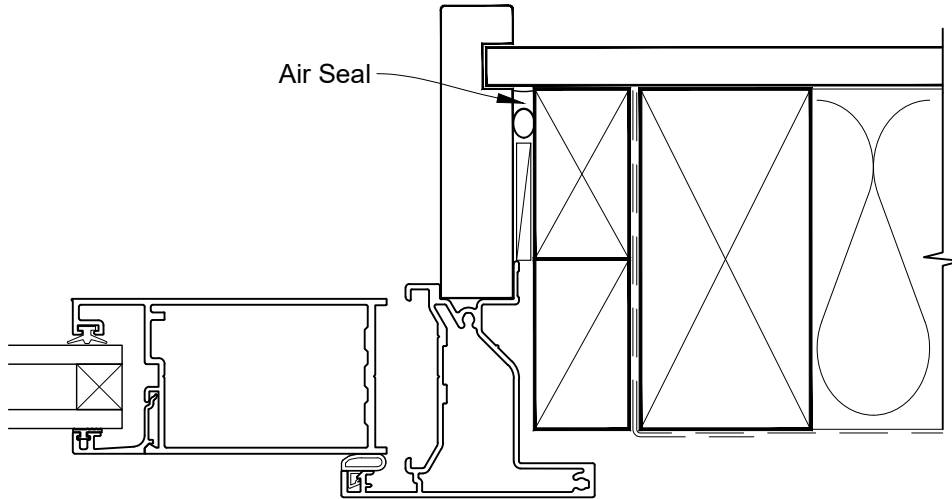


**INSTALLATION DETAIL - VANTAGE RESIDENTIAL  
HINGED DOOR OPEN IN ON NO CLADDING  
DIRECT FIXED CLADDING**

Date: 01.04.19

Scale: 1:2

CAD Ref.: VRHINC-DJ





**INSTALLATION DETAIL - VANTAGE RESIDENTIAL  
HINGED DOOR OPEN IN ON NO CLADDING  
DIRECT FIXED CLADDING**

Date: 01.04.19

Scale: 1:2

CAD Ref.: VRHINC-DS

