

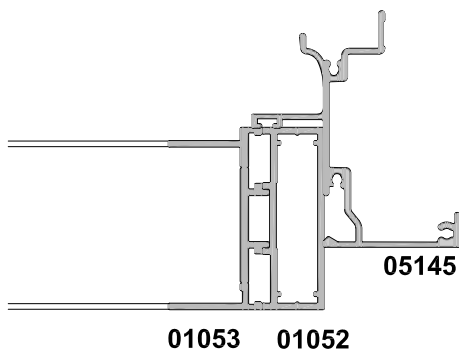
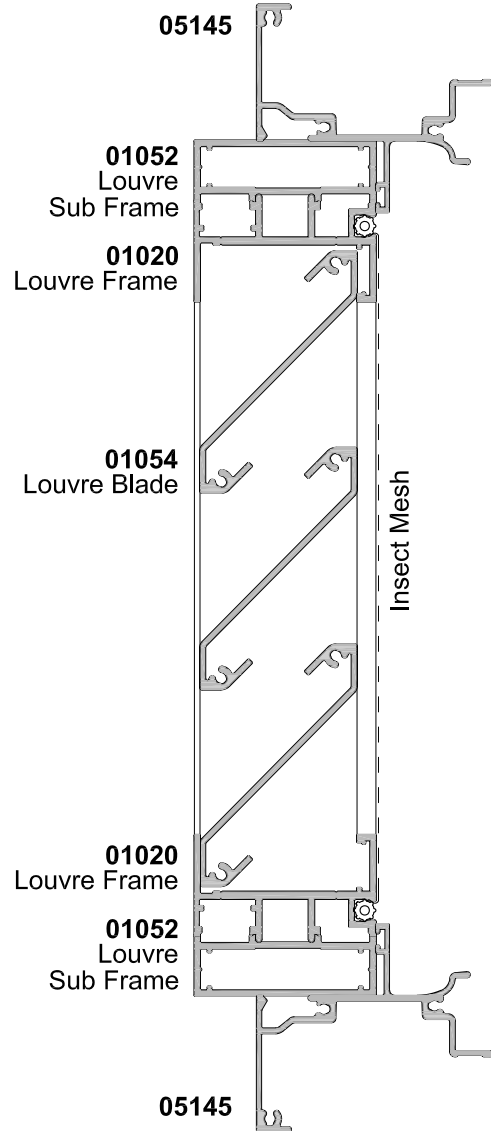
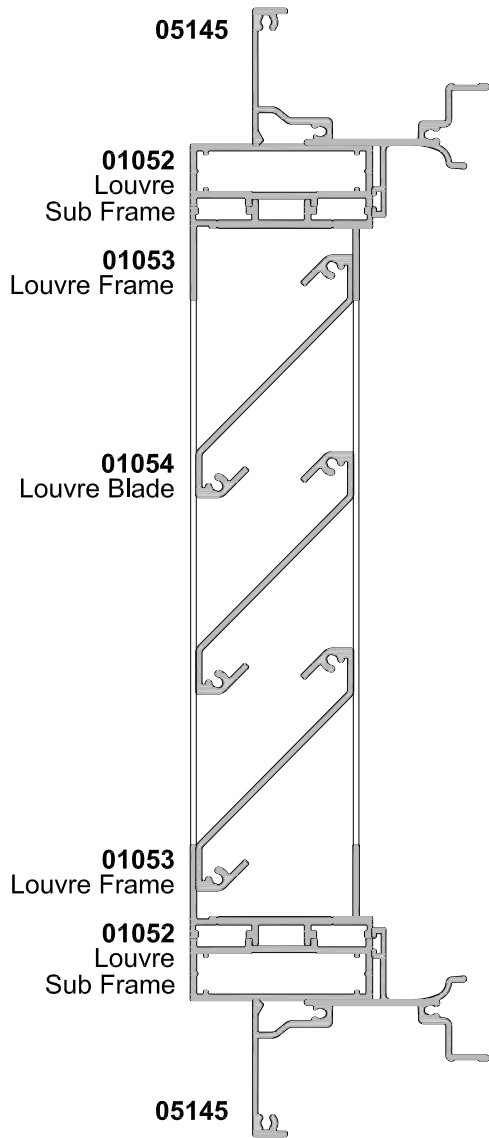


FIXED LOUVRES
CROSS SECTION

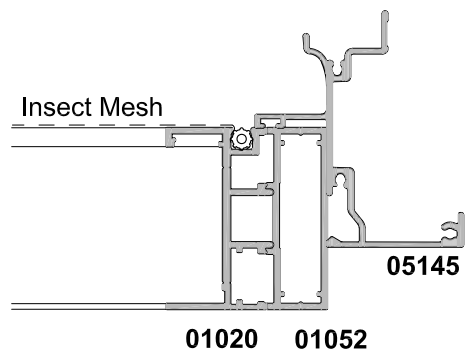
CAD REF. VAL01-0

DATE
18.03.21

SCALE
1:2



JAMB DETAIL



JAMB DETAIL