

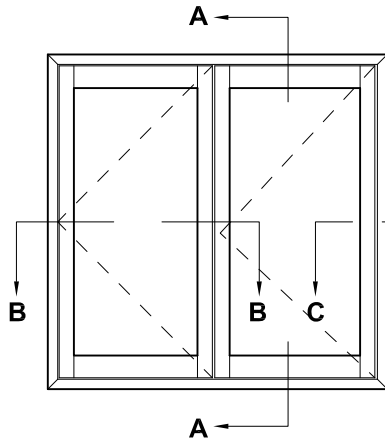
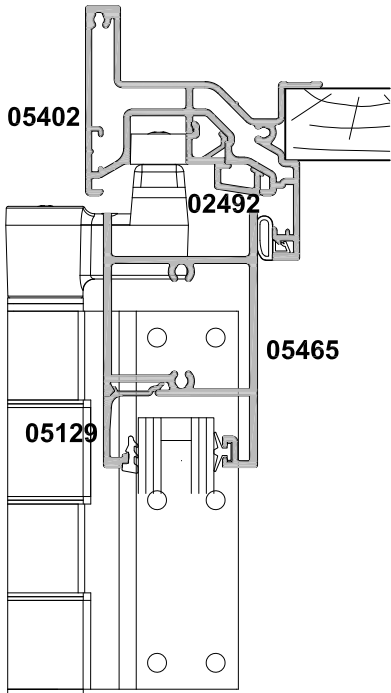


# BI-FOLD WINDOW TWO PANEL CROSS SECTION

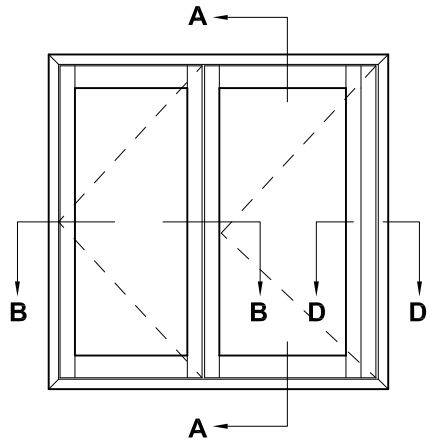
CAD REF. VBW01-0

DATE  
01.04.19

SCALE  
1:2

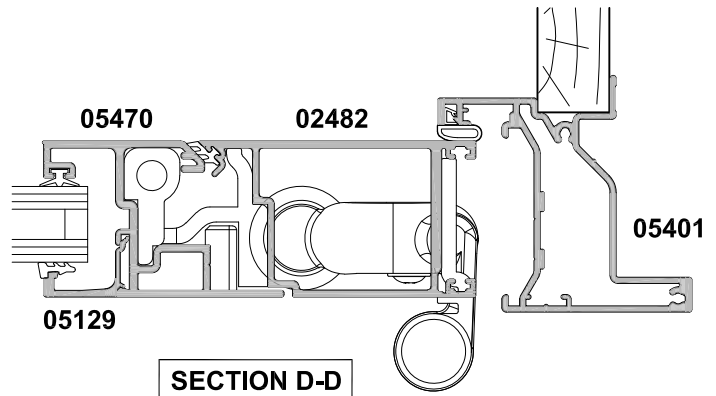
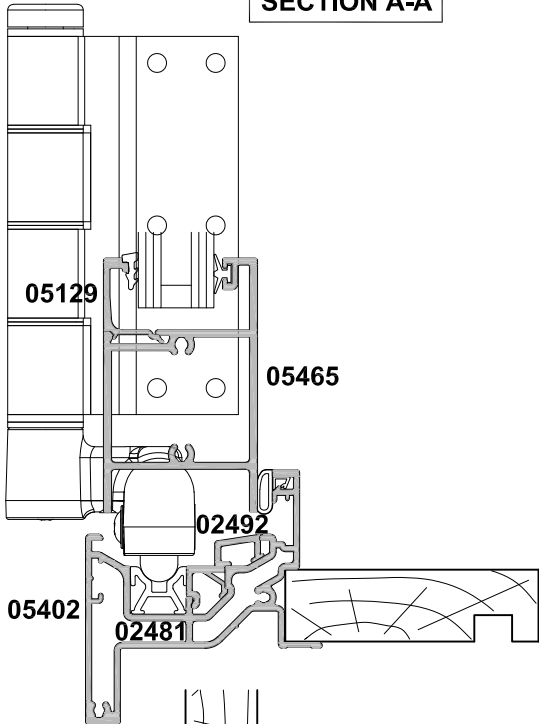


STANDARD BI-FOLD

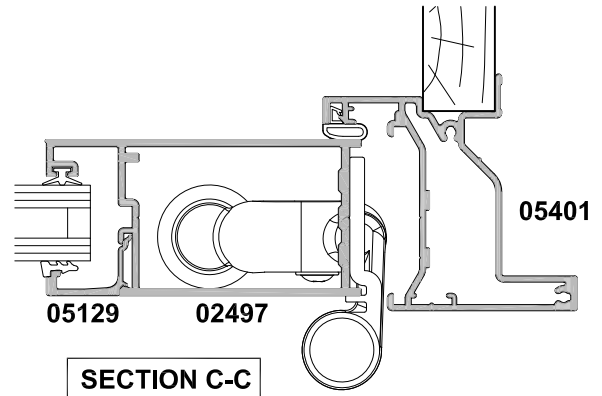


LAY-BACK OPTION

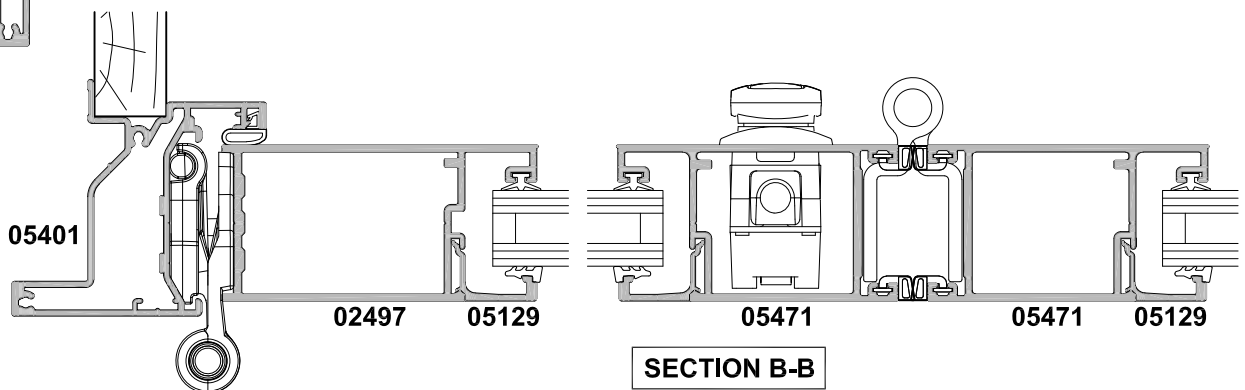
SECTION A-A



SECTION D-D



SECTION C-C



SECTION B-B