

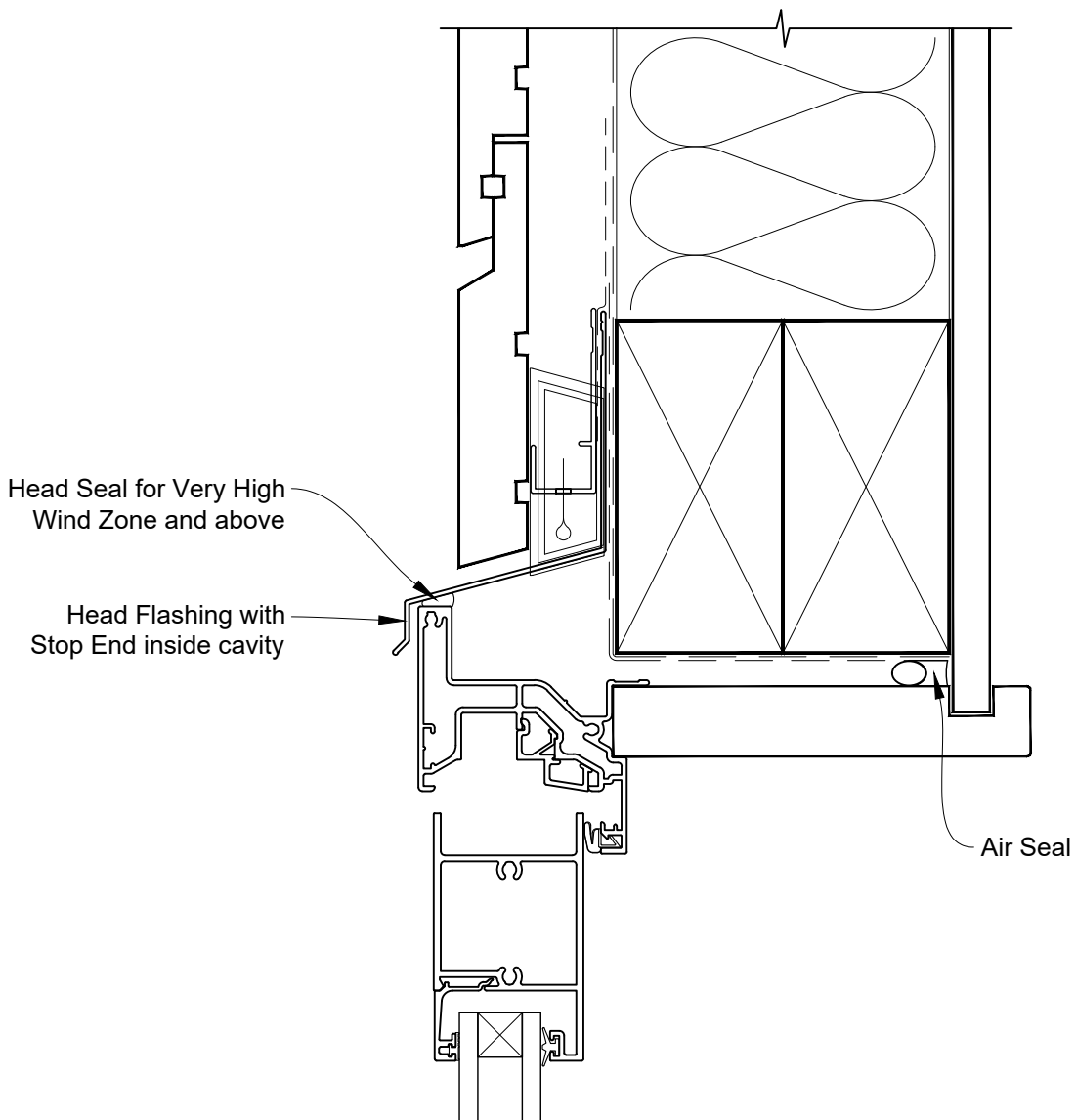


INSTALLATION DETAIL - VANTAGE RESIDENTIAL BIFOLD WINDOW ON RUSTICATED WEATHERBOARD CAVITY CONSTRUCTION

Date: 01.04.19

Scale: 1:2

CAD Ref.: VRBWRW-CH



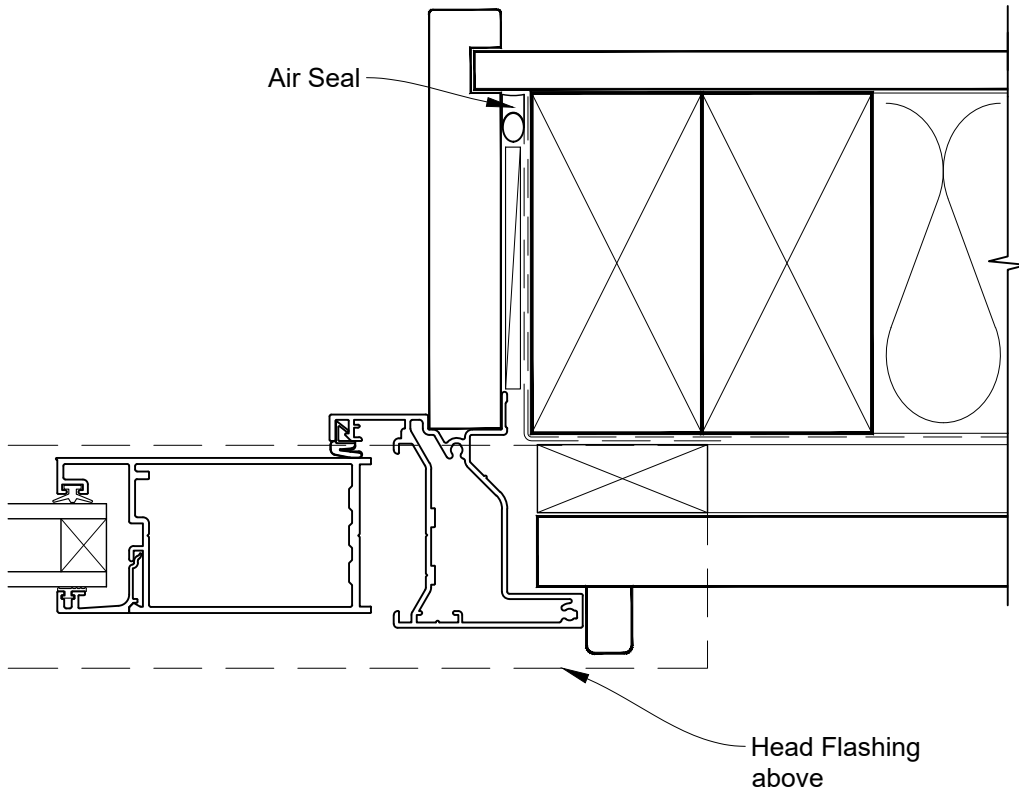


INSTALLATION DETAIL - VANTAGE RESIDENTIAL BIFOLD WINDOW ON RUSTICATED WEATHERBOARD CAVITY CONSTRUCTION

Date: 01.04.19

Scale: 1:2

CAD Ref.: VRBWRW-CJ



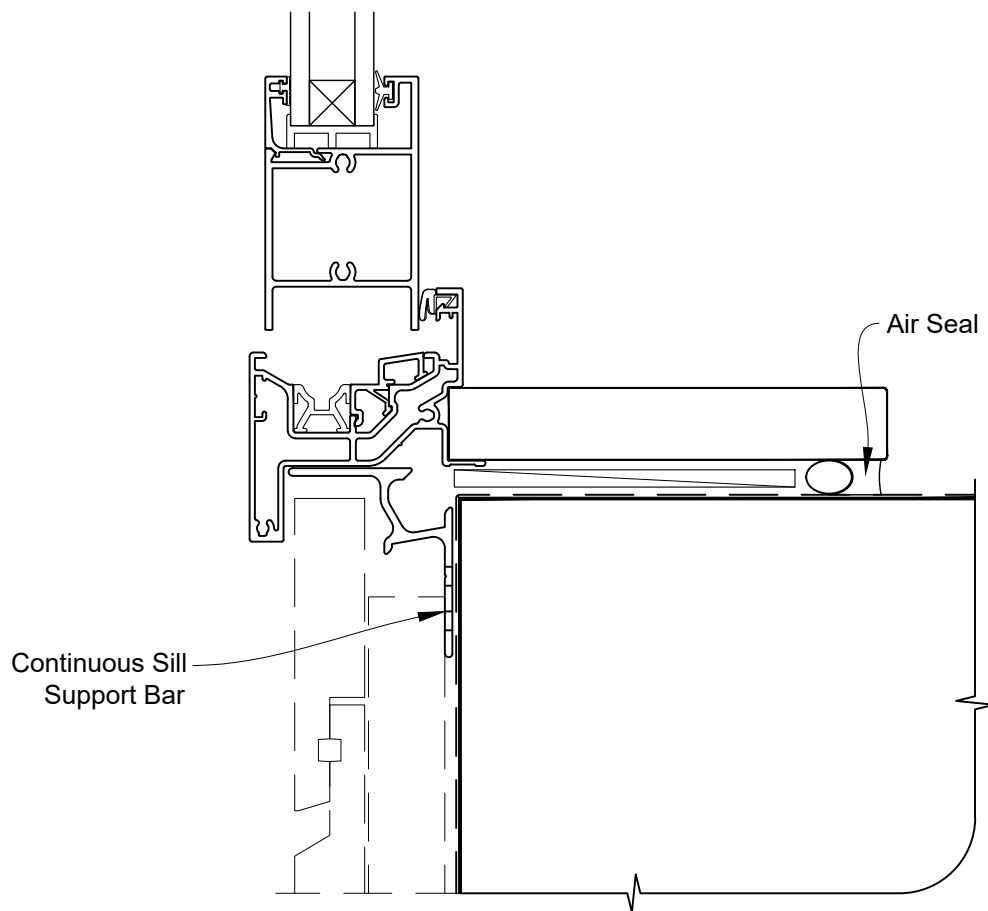


INSTALLATION DETAIL - VANTAGE RESIDENTIAL BIFOLD WINDOW ON RUSTICATED WEATHERBOARD CAVITY CONSTRUCTION

Date: 01.04.19

Scale: 1:2

CAD Ref.: VRBWRW-CS



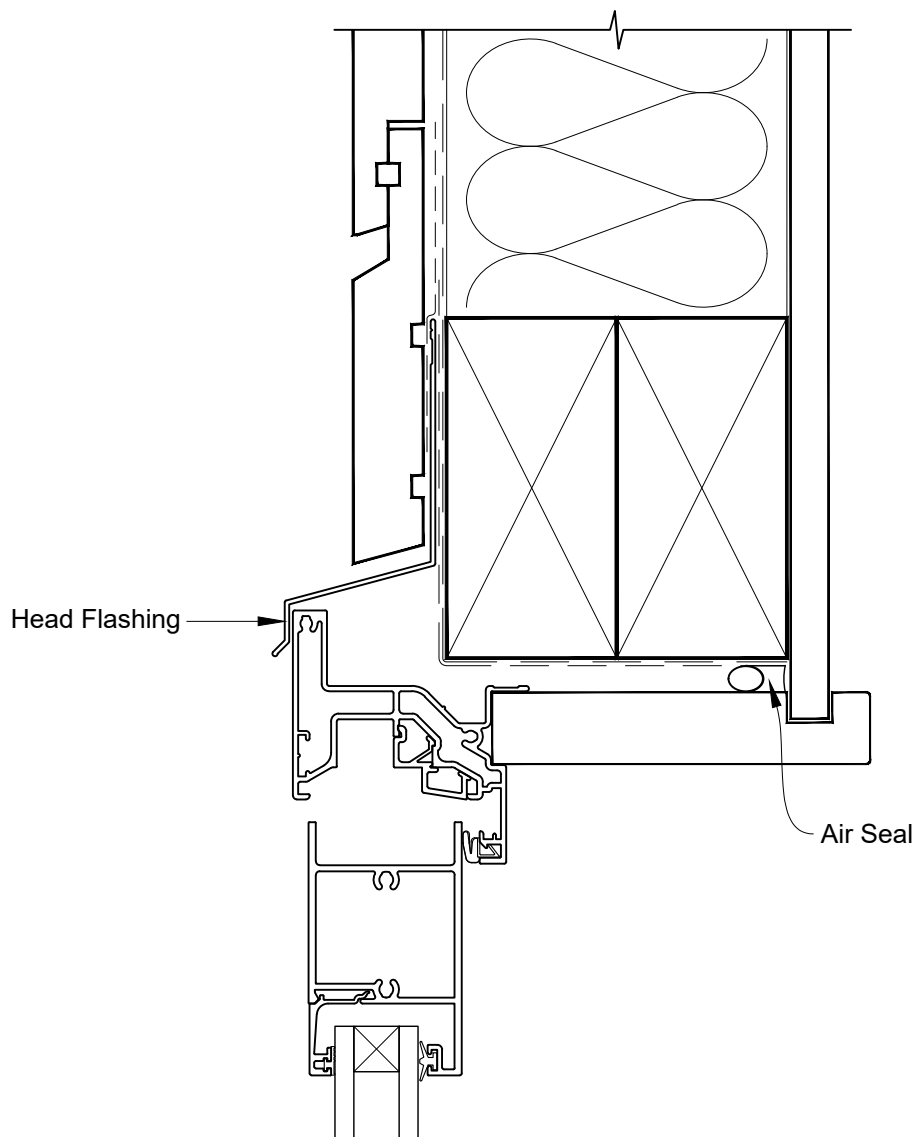


INSTALLATION DETAIL - VANTAGE RESIDENTIAL BIFOLD WINDOW ON RUSTICATED WEATHERBOARD DIRECT FIXED CLADDING

Date: 01.04.19

Scale: 1:2

CAD Ref.: VRBWRW-DH



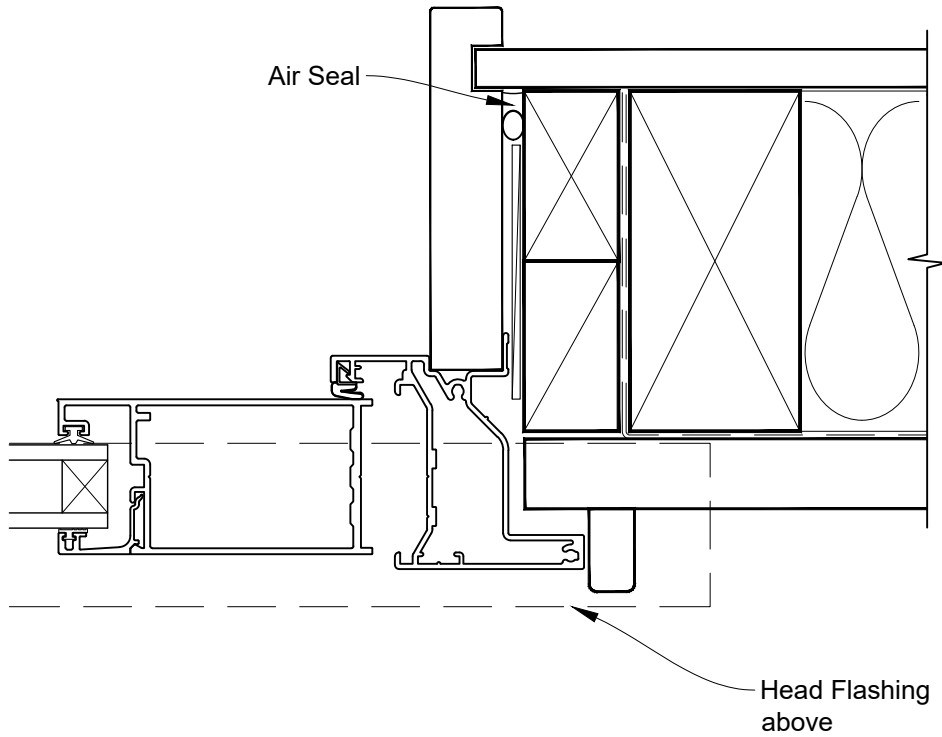


**INSTALLATION DETAIL - VANTAGE RESIDENTIAL
BIFOLD WINDOW ON RUSTICATED WEATHERBOARD
DIRECT FIXED CLADDING**

Date: 01.04.19

Scale: 1:2

CAD Ref.: VRBWRW-DJ





INSTALLATION DETAIL - VANTAGE RESIDENTIAL BIFOLD WINDOW ON RUSTICATED WEATHERBOARD DIRECT FIXED CLADDING

Date: 01.04.19

Scale: 1:2

CAD Ref.: VRBWRW-DS

