

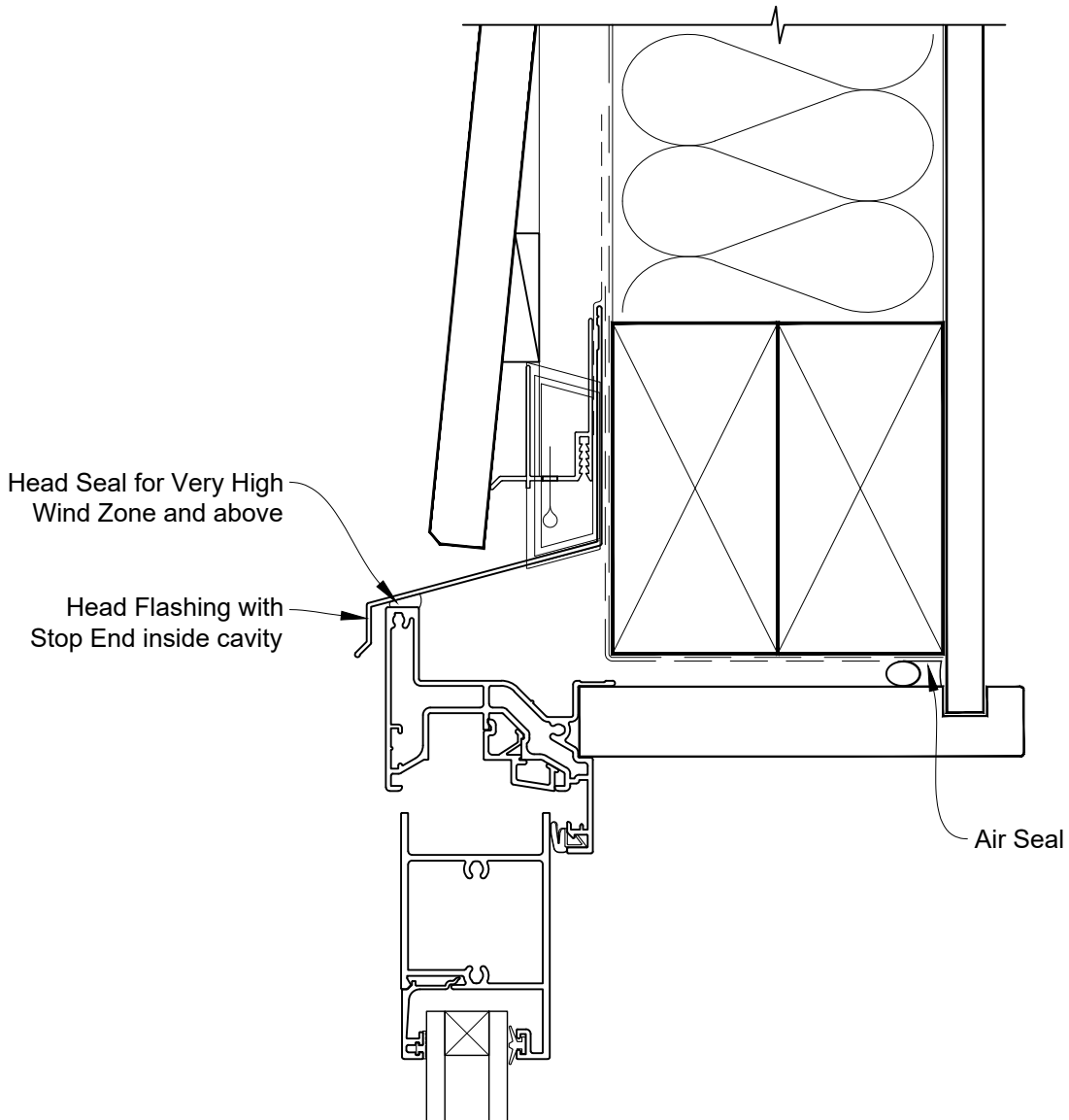


INSTALLATION DETAIL - VANTAGE RESIDENTIAL BIFOLD WINDOW ON BEVELBACK WEATHERBOARD CAVITY CONSTRUCTION

Date: 01.04.19

Scale: 1:2

CAD Ref.: VRBWBW-CH



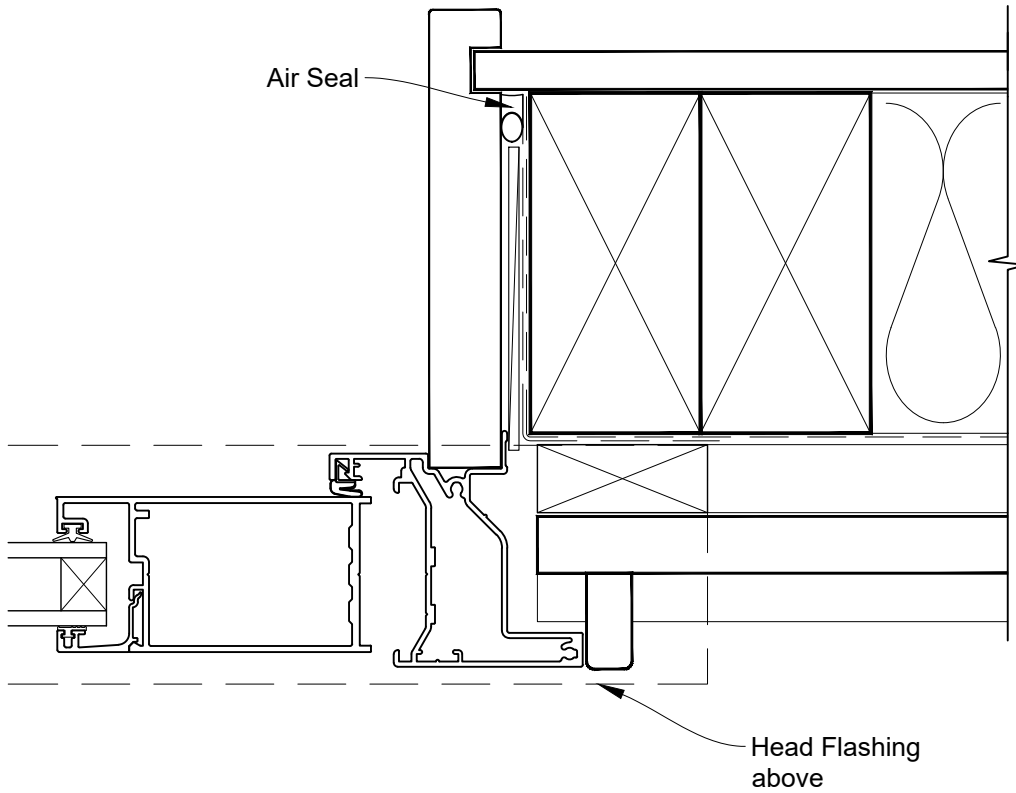


INSTALLATION DETAIL - VANTAGE RESIDENTIAL BIFOLD WINDOW ON BEVELBACK WEATHERBOARD CAVITY CONSTRUCTION

Date: 01.04.19

Scale: 1:2

CAD Ref.: VRBWBW-CJ



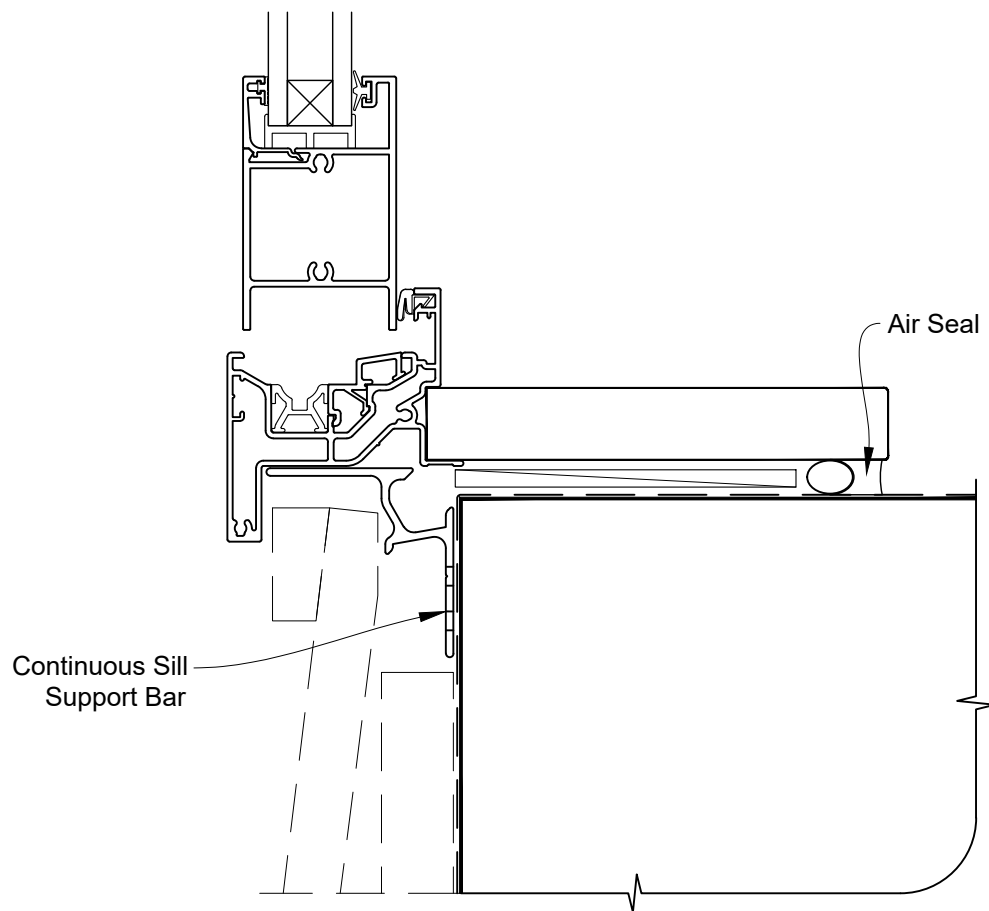


INSTALLATION DETAIL - VANTAGE RESIDENTIAL BIFOLD WINDOW ON BEVELBACK WEATHERBOARD CAVITY CONSTRUCTION

Date: 01.04.19

Scale: 1:2

CAD Ref.: VRBWBW-CS



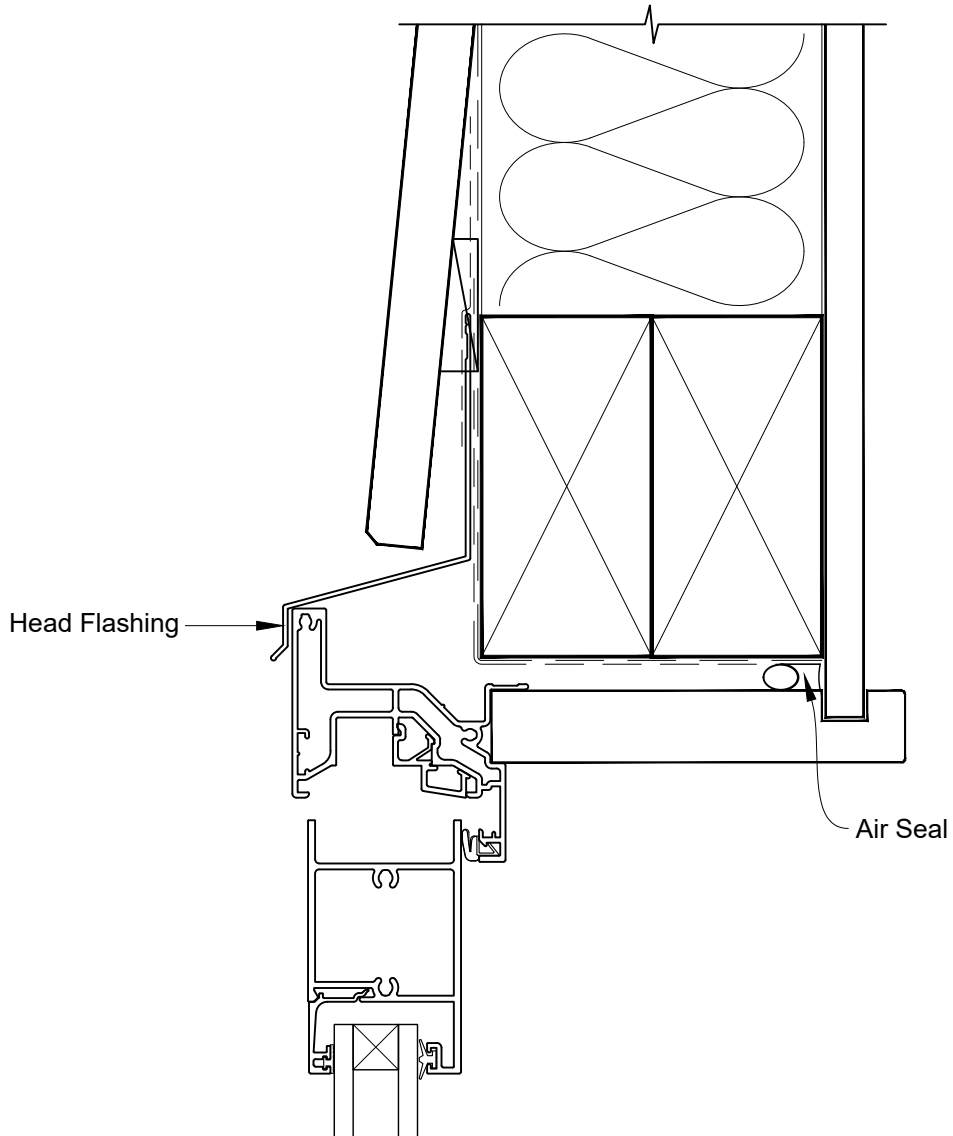


INSTALLATION DETAIL - VANTAGE RESIDENTIAL BIFOLD WINDOW ON BEVELBACK WEATHERBOARD DIRECT FIXED CLADDING

Date: 01.04.19

Scale: 1:2

CAD Ref.: VRBWBW-DH



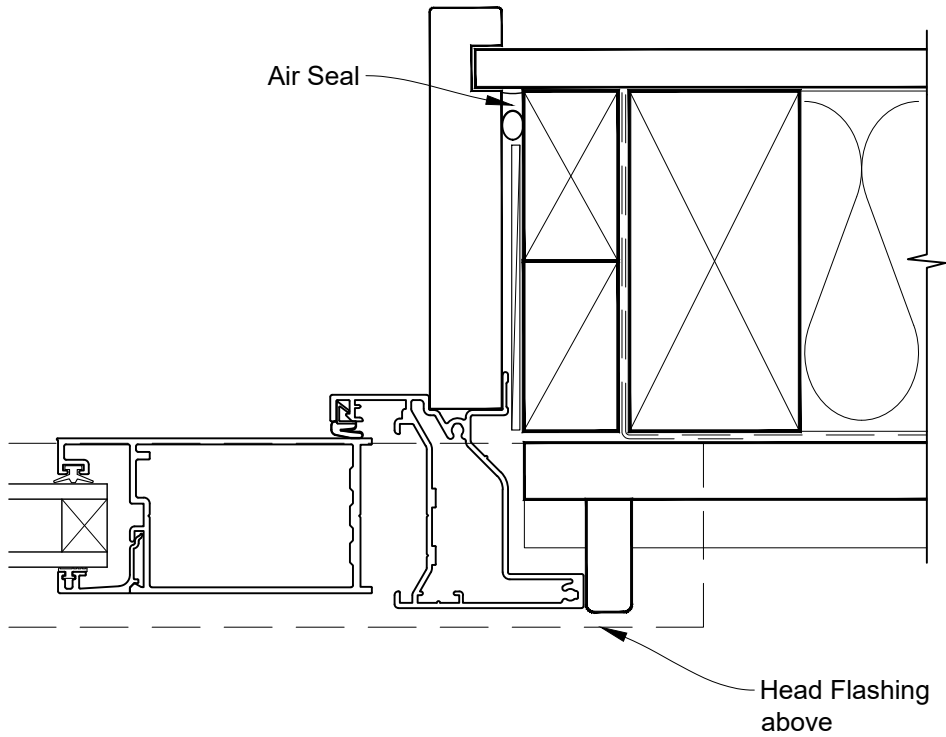


**INSTALLATION DETAIL - VANTAGE RESIDENTIAL
BIFOLD WINDOW ON BEVELBACK WEATHERBOARD
DIRECT FIXED CLADDING**

Date: 01.04.19

Scale: 1:2

CAD Ref.: VRBWBW-DJ





INSTALLATION DETAIL - VANTAGE RESIDENTIAL BIFOLD WINDOW ON BEVELBACK WEATHERBOARD DIRECT FIXED CLADDING

Date: 01.04.19

Scale: 1:2

CAD Ref.: VRBWBW-DS

