

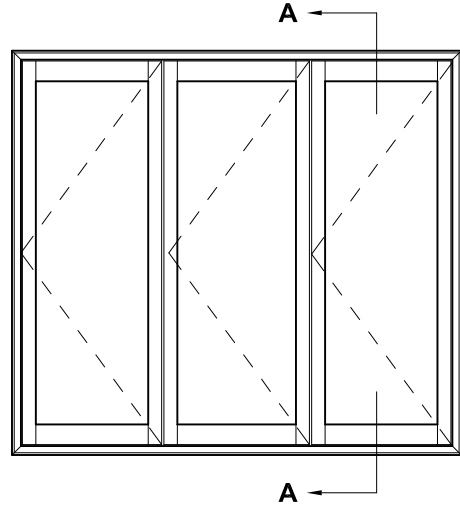
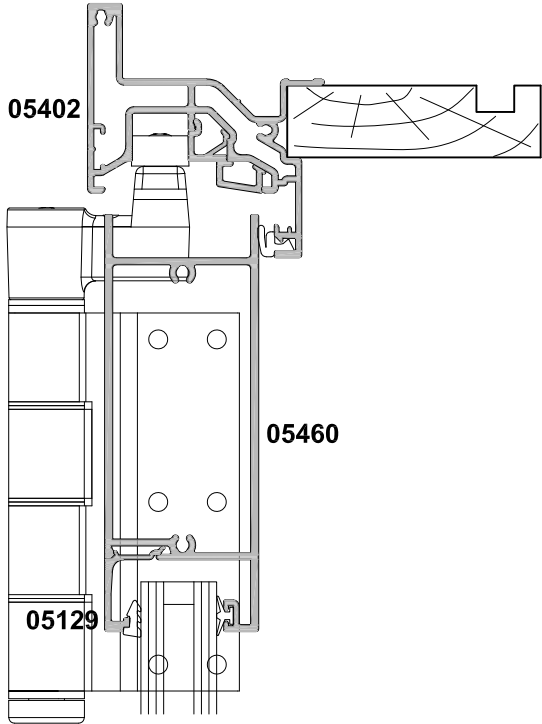


**BI-FOLD DOORS  
OPEN OUT VERTICAL SECTIONAL DETAILS  
CROSS SECTION**

CAD REF. VBD01-0

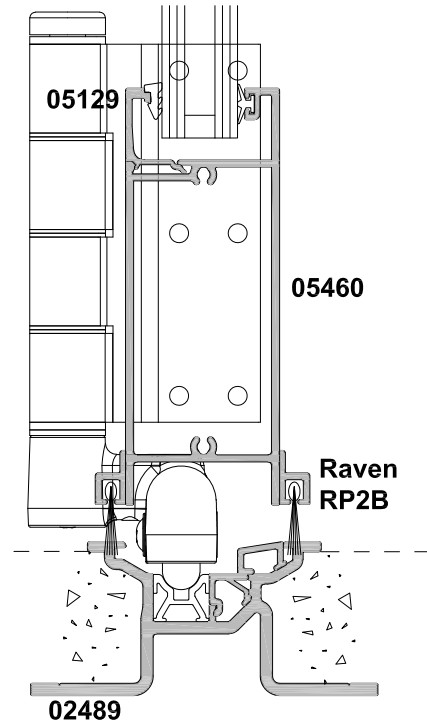
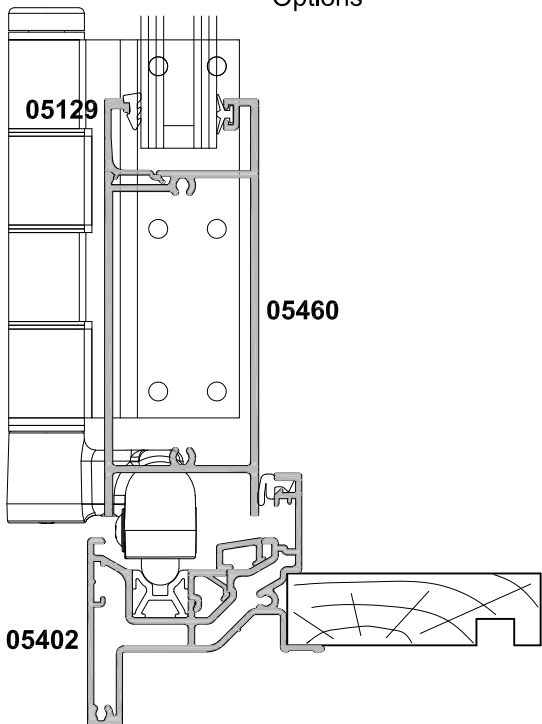
DATE  
01.04.19

SCALE  
1:2



**SECTION A-A**

Refer to Hinge Door  
Section for Vision Rail  
Options



**REBATED SILL TRACK OPTION  
(FOR SHELTERED LOCATIONS ONLY)**

Note - Pay particular attention  
to the drainage of the track.