

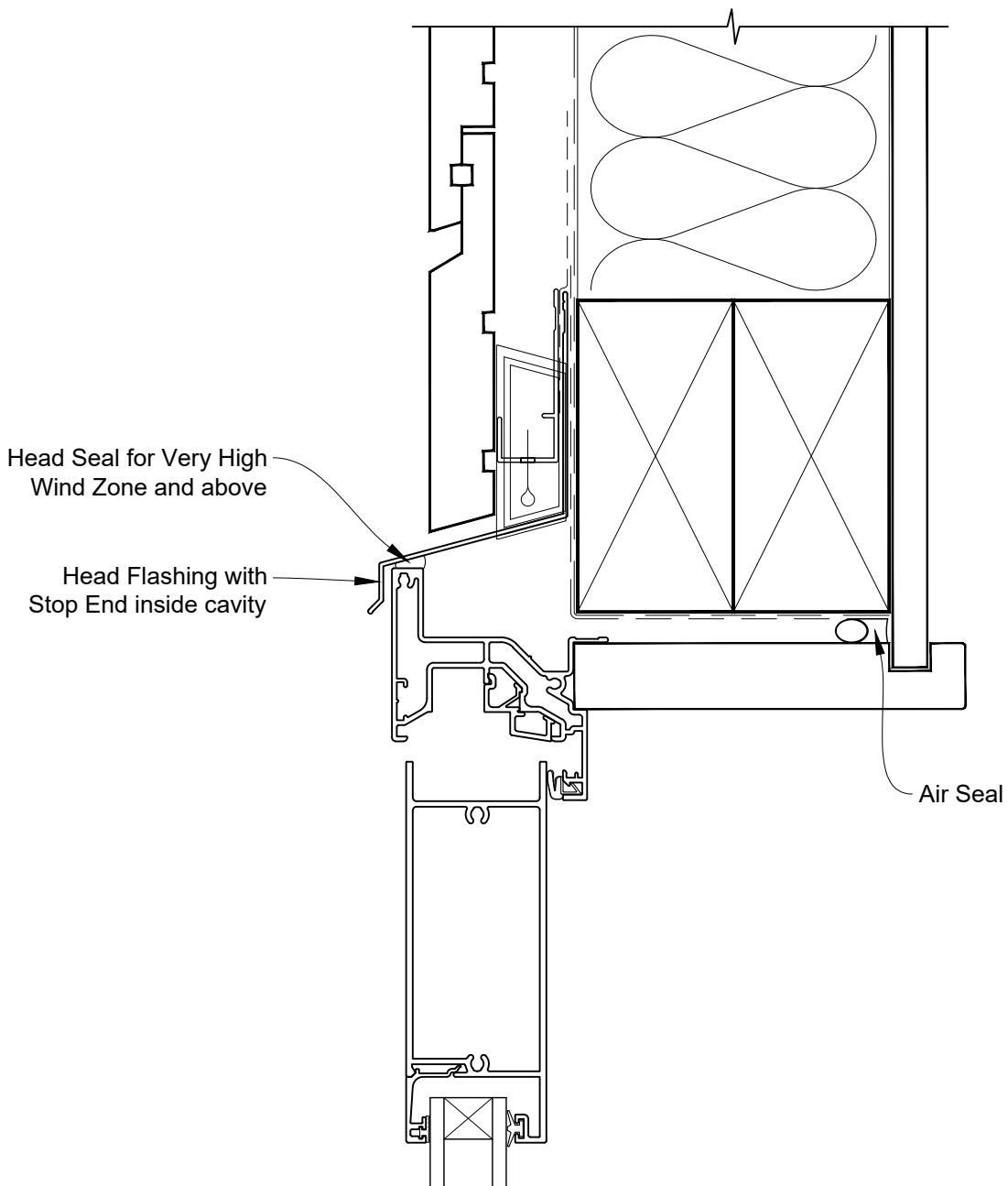


# INSTALLATION DETAIL - VANTAGE RESIDENTIAL BIFOLD DOOR OPEN OUT ON RUSTICATED WEATHERBOARD CAVITY CONSTRUCTION

Date: 01.04.19

Scale: 1:2

CAD Ref.: VRBORW-CH



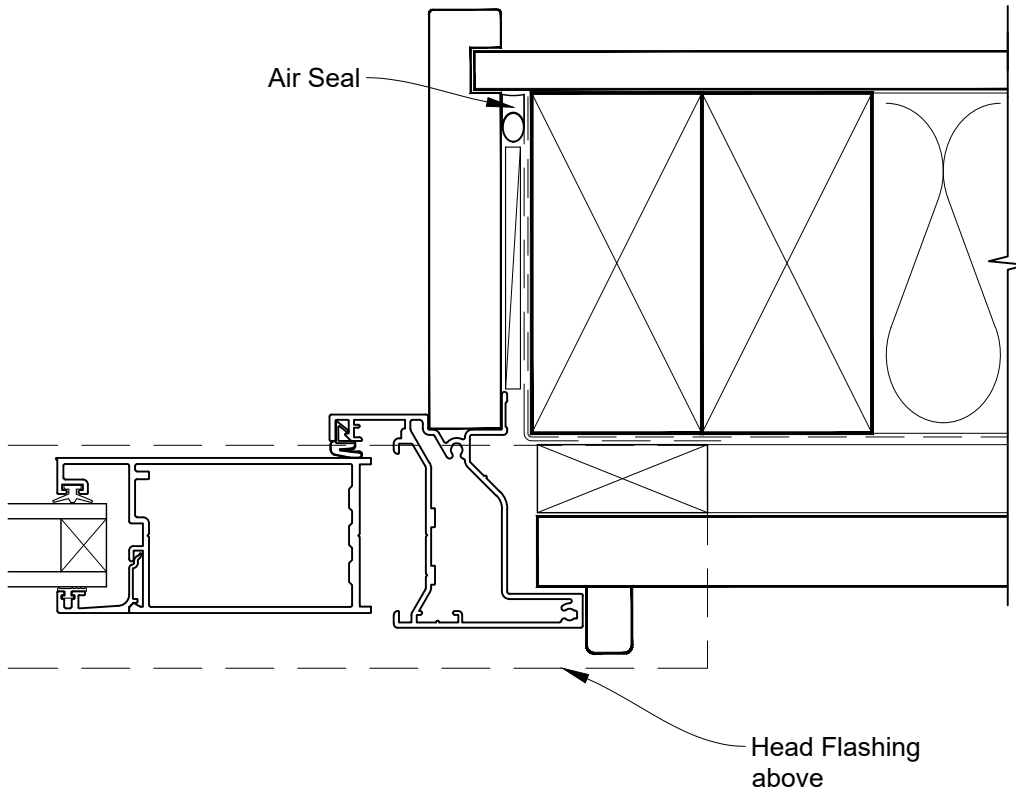


# INSTALLATION DETAIL - VANTAGE RESIDENTIAL BIFOLD DOOR OPEN OUT ON RUSTICATED WEATHERBOARD CAVITY CONSTRUCTION

Date: 01.04.19

Scale: 1:2

CAD Ref.: VRBORW-CJ



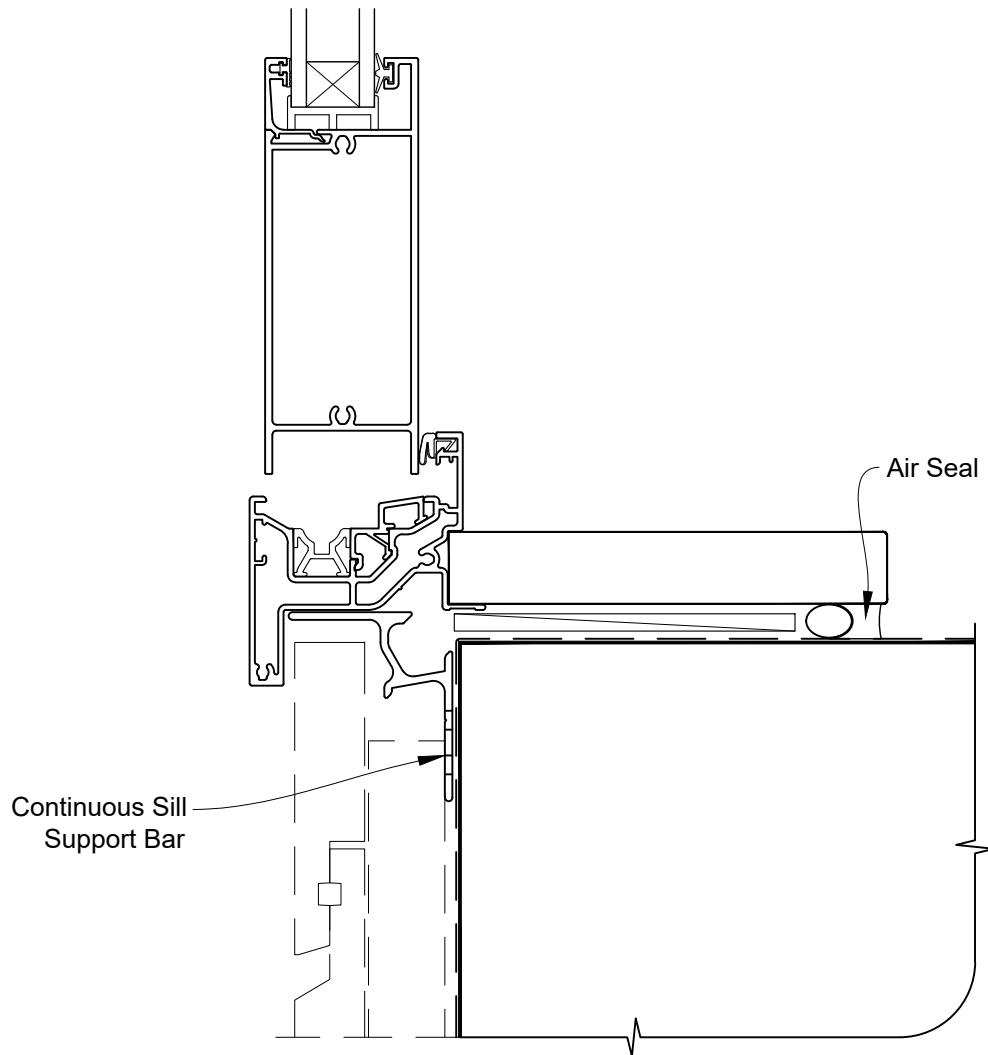


# INSTALLATION DETAIL - VANTAGE RESIDENTIAL BIFOLD DOOR OPEN OUT ON RUSTICATED WEATHERBOARD CAVITY CONSTRUCTION

Date: 01.04.19

Scale: 1:2

CAD Ref.: VRBORW-CS



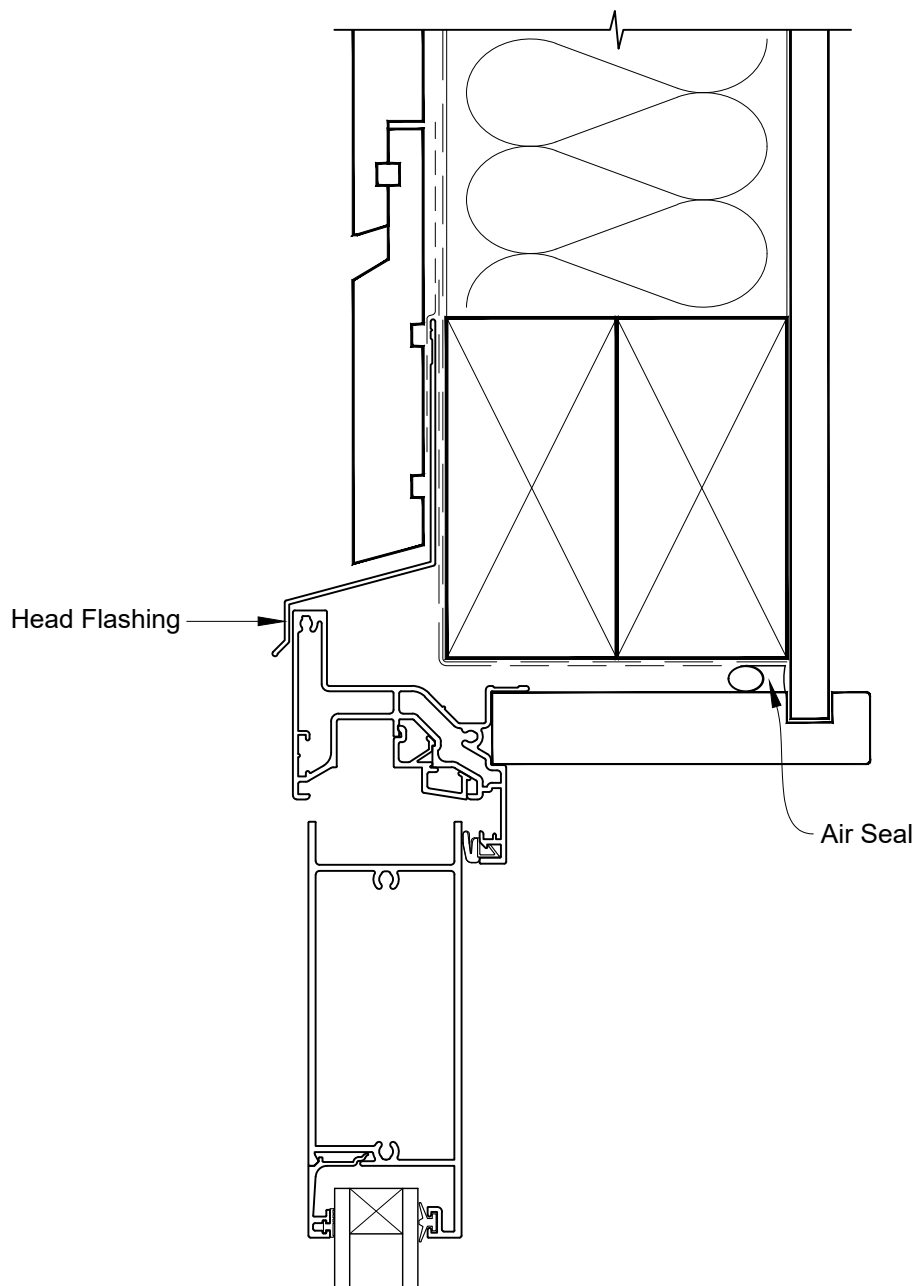


# INSTALLATION DETAIL - VANTAGE RESIDENTIAL BIFOLD DOOR OPEN OUT ON RUSTICATED WEATHERBOARD DIRECT FIXED CLADDING

Date: 01.04.19

Scale: 1:2

CAD Ref.: VRBORW-DH



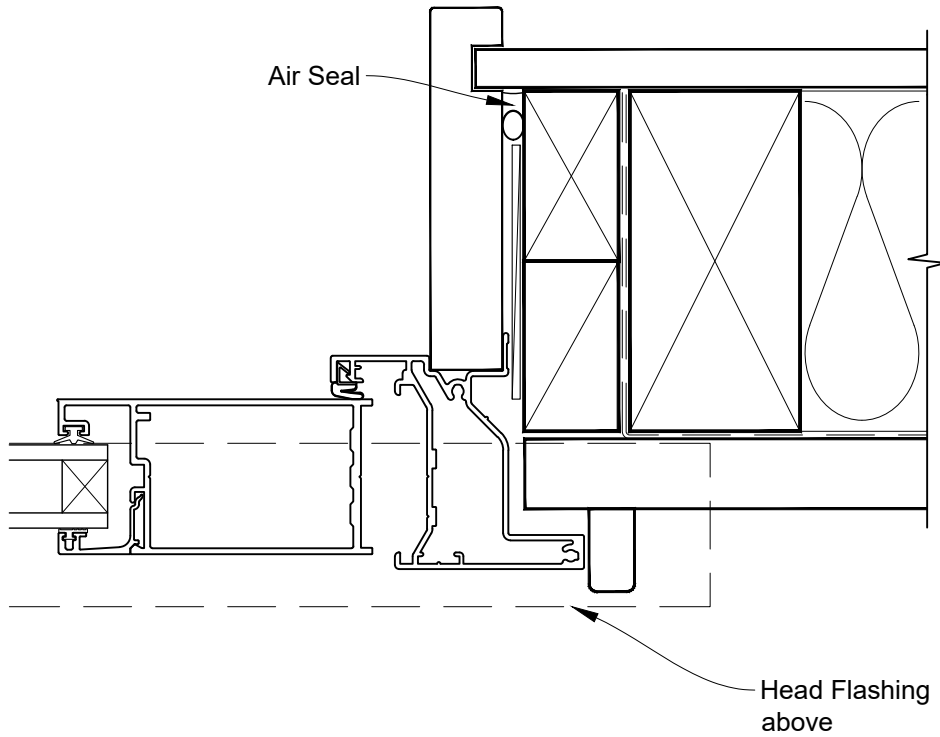


**INSTALLATION DETAIL - VANTAGE RESIDENTIAL  
BIFOLD DOOR OPEN OUT ON RUSTICATED WEATHERBOARD  
DIRECT FIXED CLADDING**

Date: 01.04.19

Scale: 1:2

CAD Ref.: VRBORW-DJ





# INSTALLATION DETAIL - VANTAGE RESIDENTIAL BIFOLD DOOR OPEN OUT ON RUSTICATED WEATHERBOARD DIRECT FIXED CLADDING

Date: 01.04.19

Scale: 1:2

CAD Ref.: VRBORW-DS

