

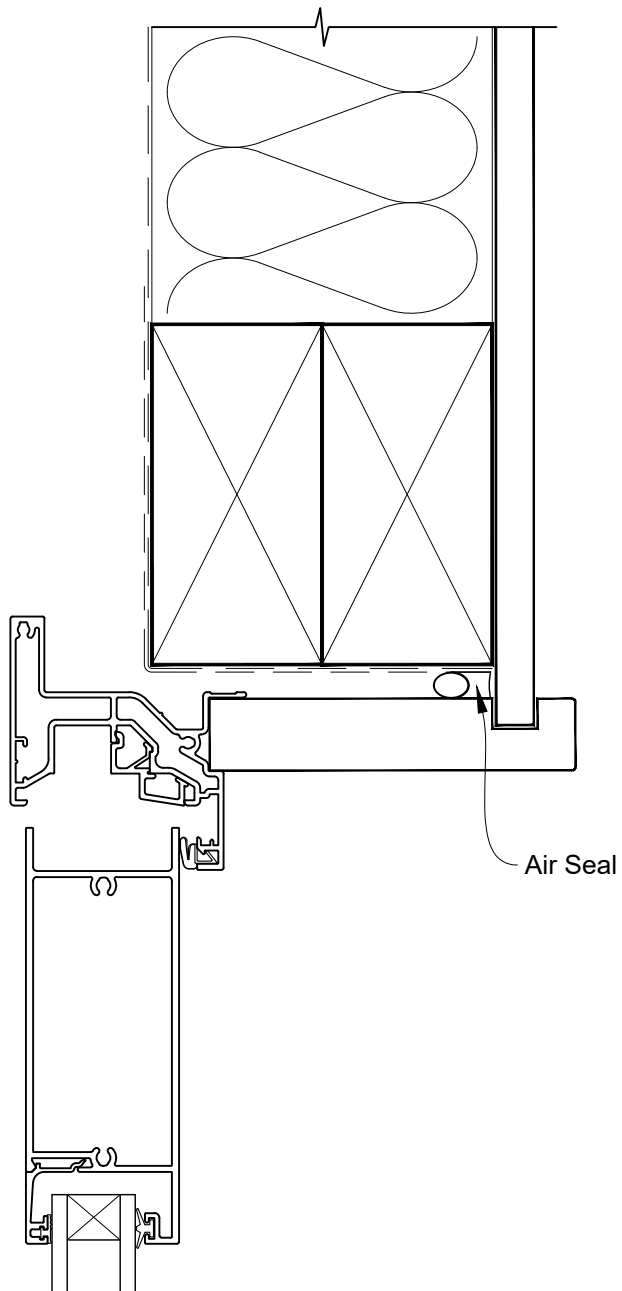


INSTALLATION DETAIL - VANTAGE RESIDENTIAL BIFOLD DOOR OPEN OUT ON NO CLADDING CAVITY CONSTRUCTION

Date: 01.04.19

Scale: 1:2

CAD Ref.: VRBONC-CH



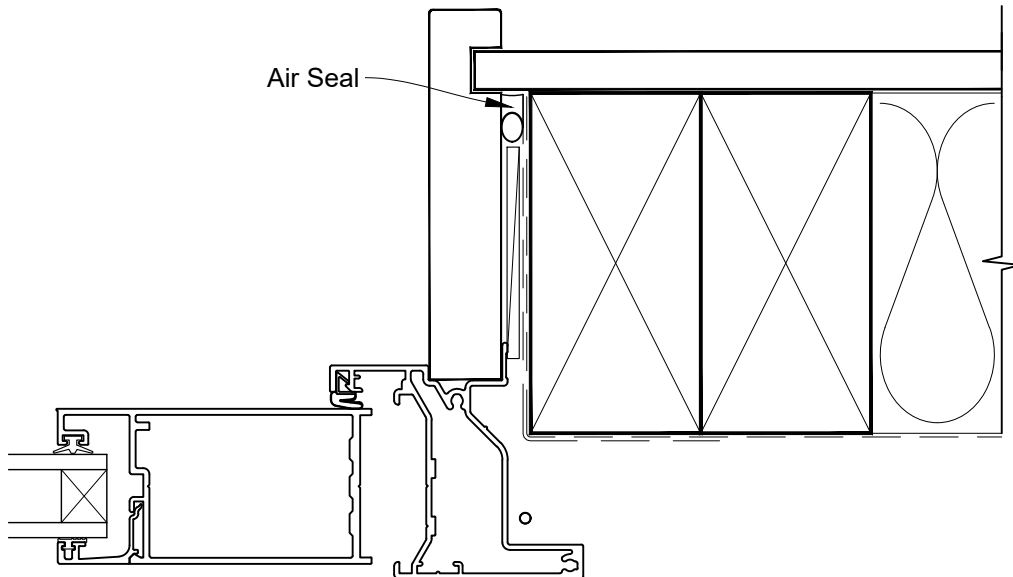


INSTALLATION DETAIL - VANTAGE RESIDENTIAL BIFOLD DOOR OPEN OUT ON NO CLADDING CAVITY CONSTRUCTION

Date: 01.04.19

Scale: 1:2

CAD Ref.: VRBONC-CJ



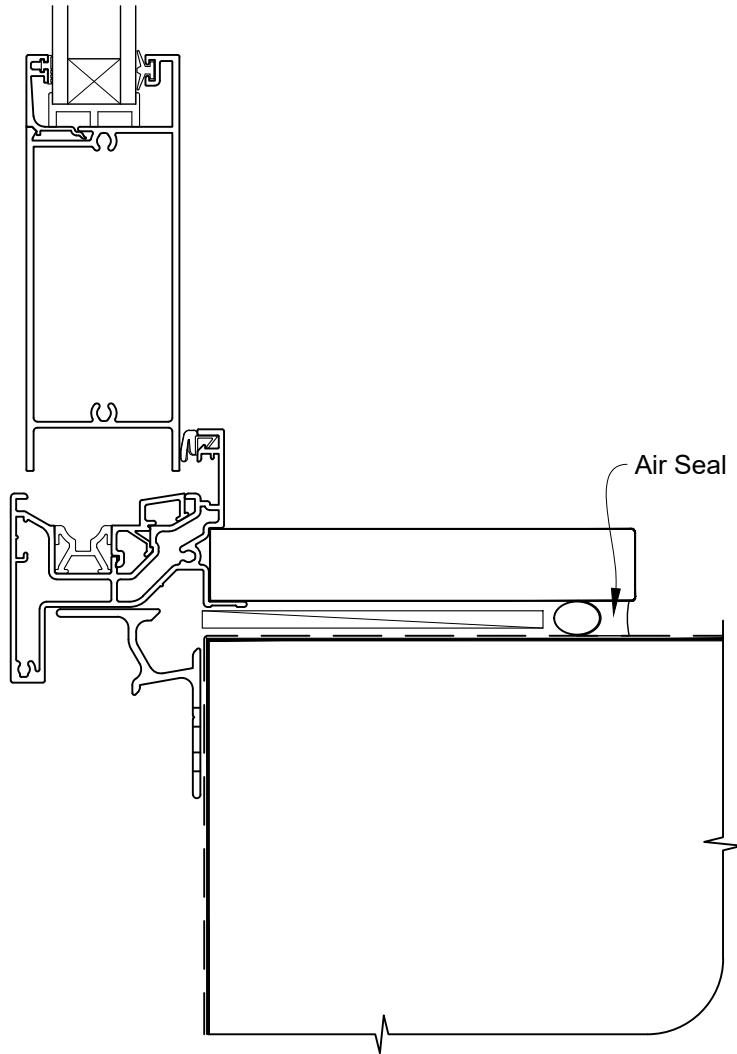


**INSTALLATION DETAIL - VANTAGE RESIDENTIAL
BIFOLD DOOR OPEN OUT ON NO CLADDING
CAVITY CONSTRUCTION**

Date: 01.04.19

Scale: 1:2

CAD Ref.: VRBONC-CS



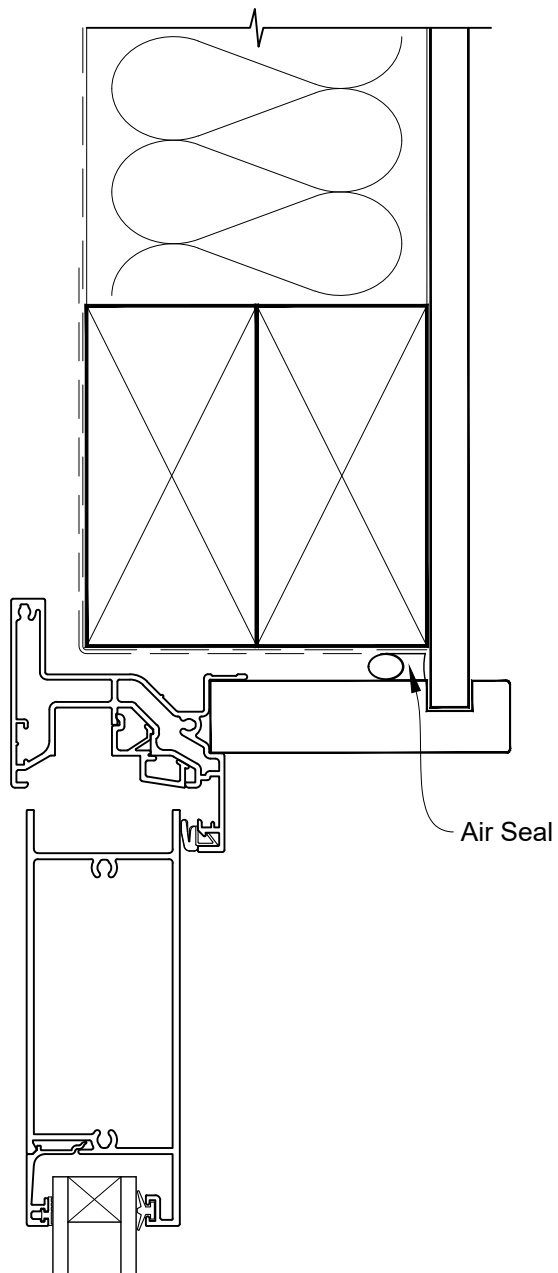


**INSTALLATION DETAIL - VANTAGE RESIDENTIAL
BIFOLD DOOR OPEN OUT ON NO CLADDING
DIRECT FIXED CLADDING**

Date: 01.04.19

Scale: 1:2

CAD Ref.: VRBONC-DH



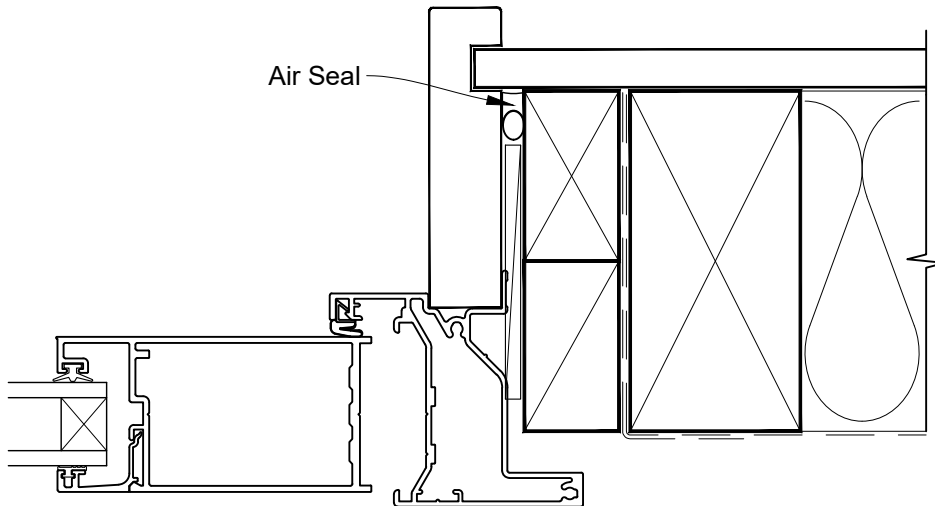


**INSTALLATION DETAIL - VANTAGE RESIDENTIAL
BIFOLD DOOR OPEN OUT ON NO CLADDING
DIRECT FIXED CLADDING**

Date: 01.04.19

Scale: 1:2

CAD Ref.: VRBONC-DJ





**INSTALLATION DETAIL - VANTAGE RESIDENTIAL
BIFOLD DOOR OPEN OUT ON NO CLADDING
DIRECT FIXED CLADDING**

Date: 01.04.19

Scale: 1:2

CAD Ref.: VRBONC-DS

