

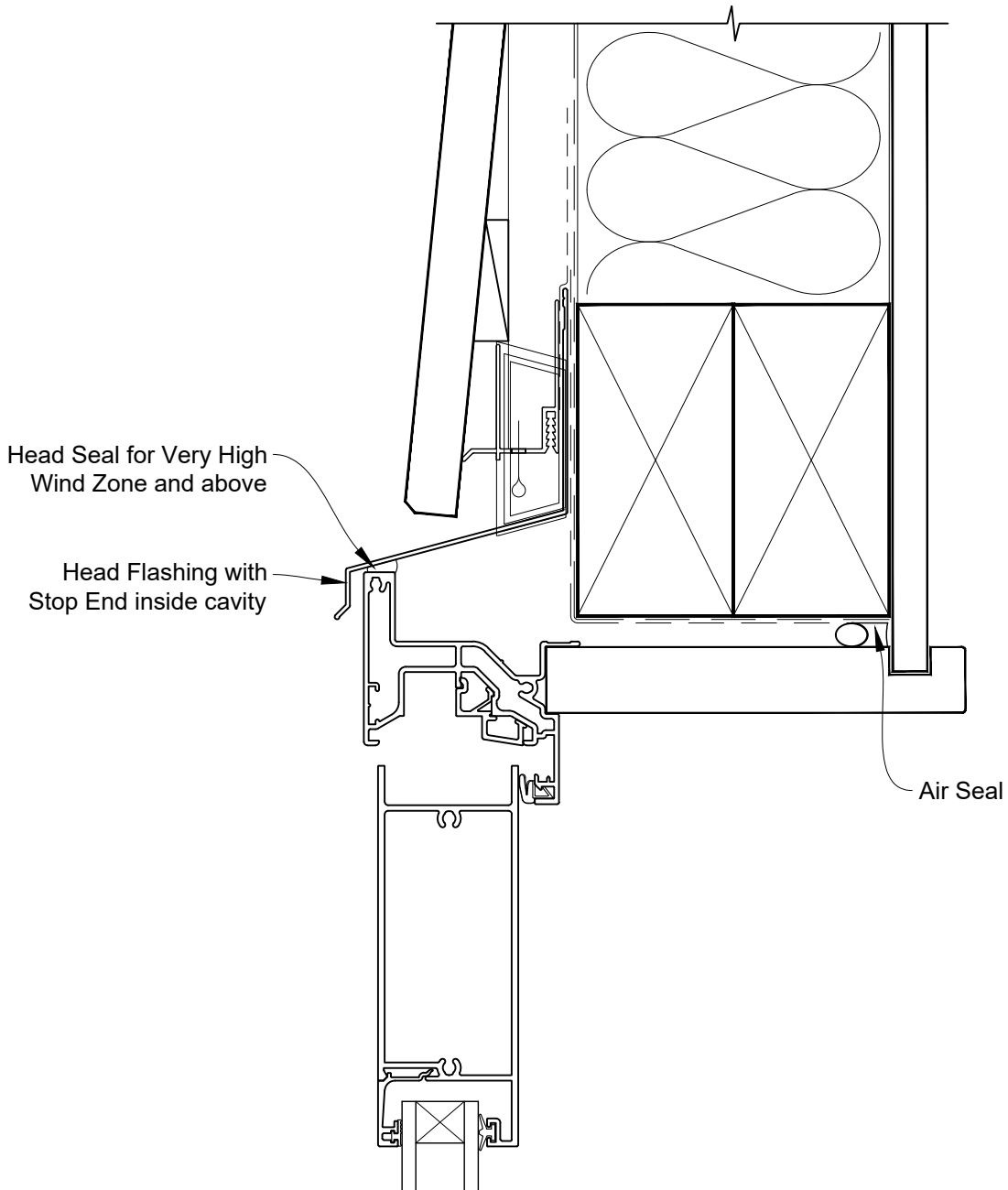


INSTALLATION DETAIL - VANTAGE RESIDENTIAL BIFOLD DOOR OPEN OUT ON BEVELBACK WEATHERBOARD CAVITY CONSTRUCTION

Date: 01.04.19

Scale: 1:2

CAD Ref.: VRBOBW-CH



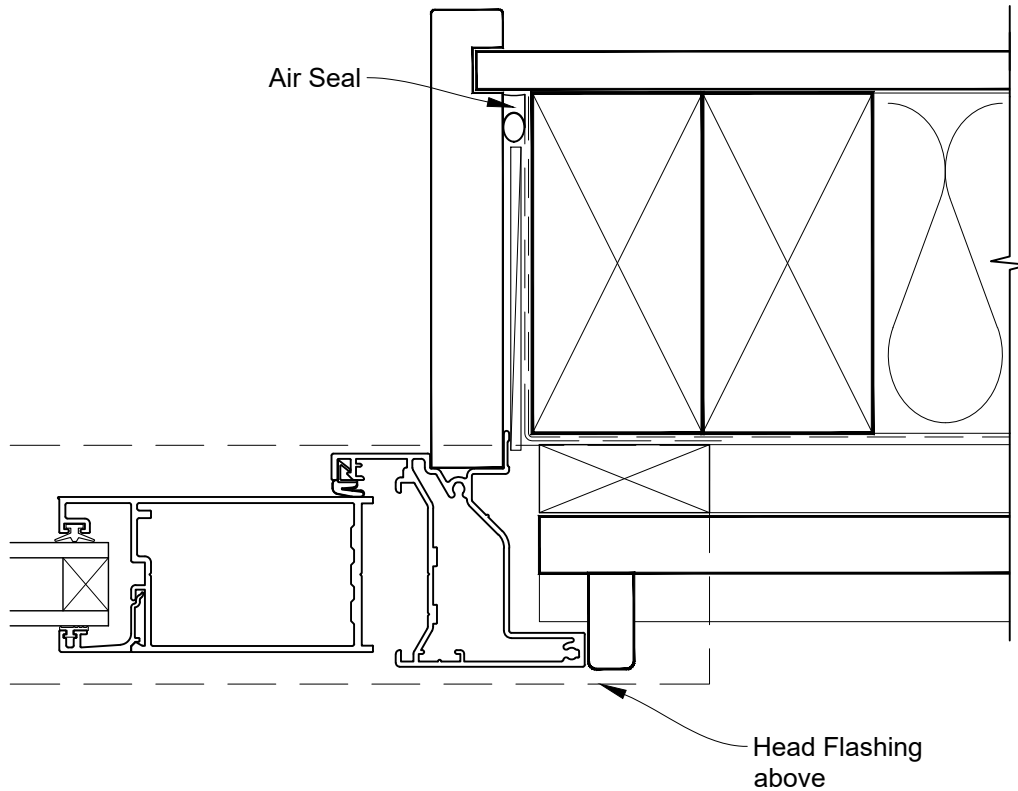


INSTALLATION DETAIL - VANTAGE RESIDENTIAL BIFOLD DOOR OPEN OUT ON BEVELBACK WEATHERBOARD CAVITY CONSTRUCTION

Date: 01.04.19

Scale: 1:2

CAD Ref.: VRBOBW-CJ



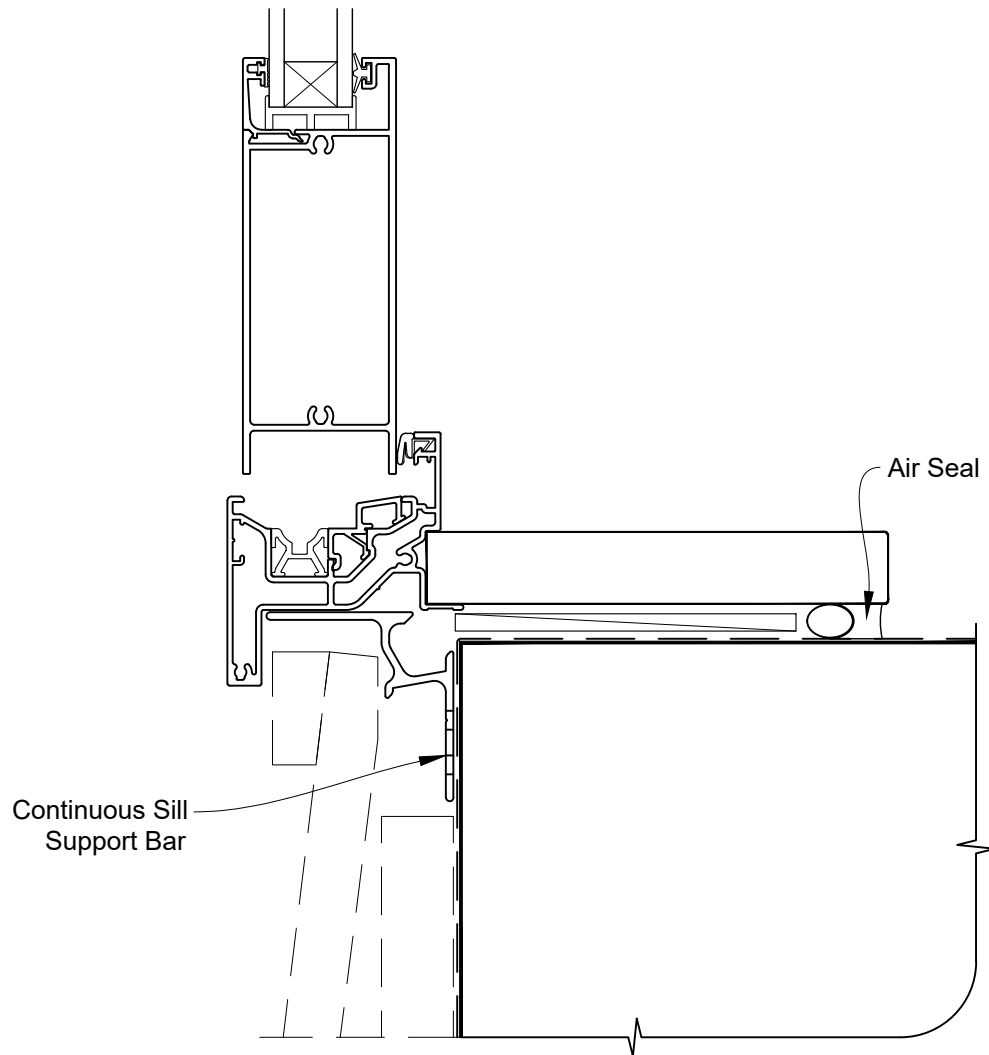


INSTALLATION DETAIL - VANTAGE RESIDENTIAL BIFOLD DOOR OPEN OUT ON BEVELBACK WEATHERBOARD CAVITY CONSTRUCTION

Date: 01.04.19

Scale: 1:2

CAD Ref.: VRBOBW-CS



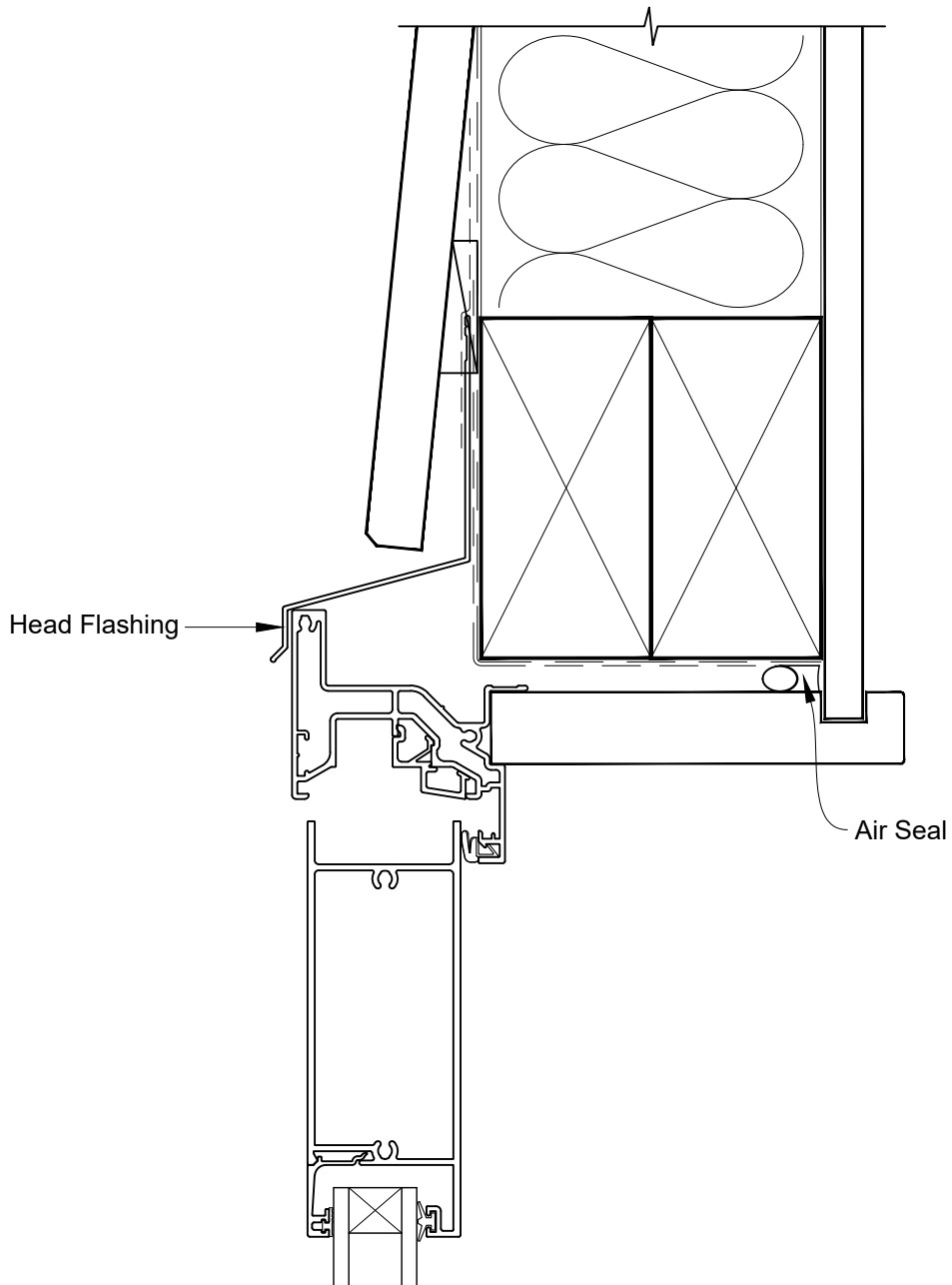


**INSTALLATION DETAIL - VANTAGE RESIDENTIAL
BIFOLD DOOR OPEN OUT ON BEVELBACK WEATHERBOARD
DIRECT FIXED CLADDING**

Date: 01.04.19

Scale: 1:2

CAD Ref.: VRBOBW-DH



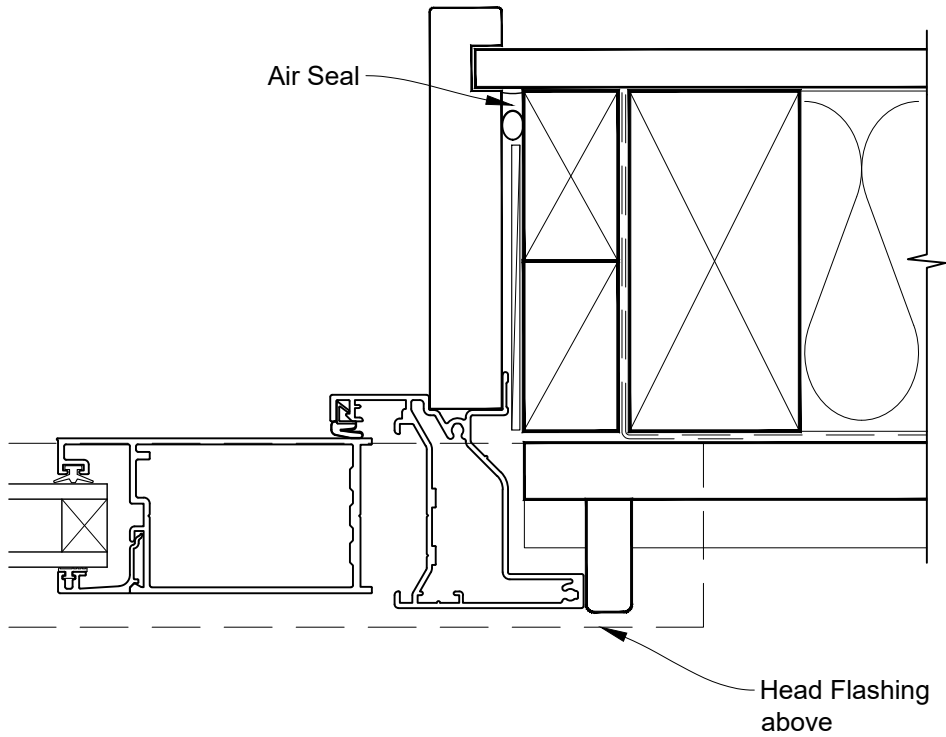


**INSTALLATION DETAIL - VANTAGE RESIDENTIAL
BIFOLD DOOR OPEN OUT ON BEVELBACK WEATHERBOARD
DIRECT FIXED CLADDING**

Date: 01.04.19

Scale: 1:2

CAD Ref.: VRBOBW-DJ





INSTALLATION DETAIL - VANTAGE RESIDENTIAL BIFOLD DOOR OPEN OUT ON BEVELBACK WEATHERBOARD DIRECT FIXED CLADDING

Date: 01.04.19

Scale: 1:2

CAD Ref.: VRBOBW-DS

