

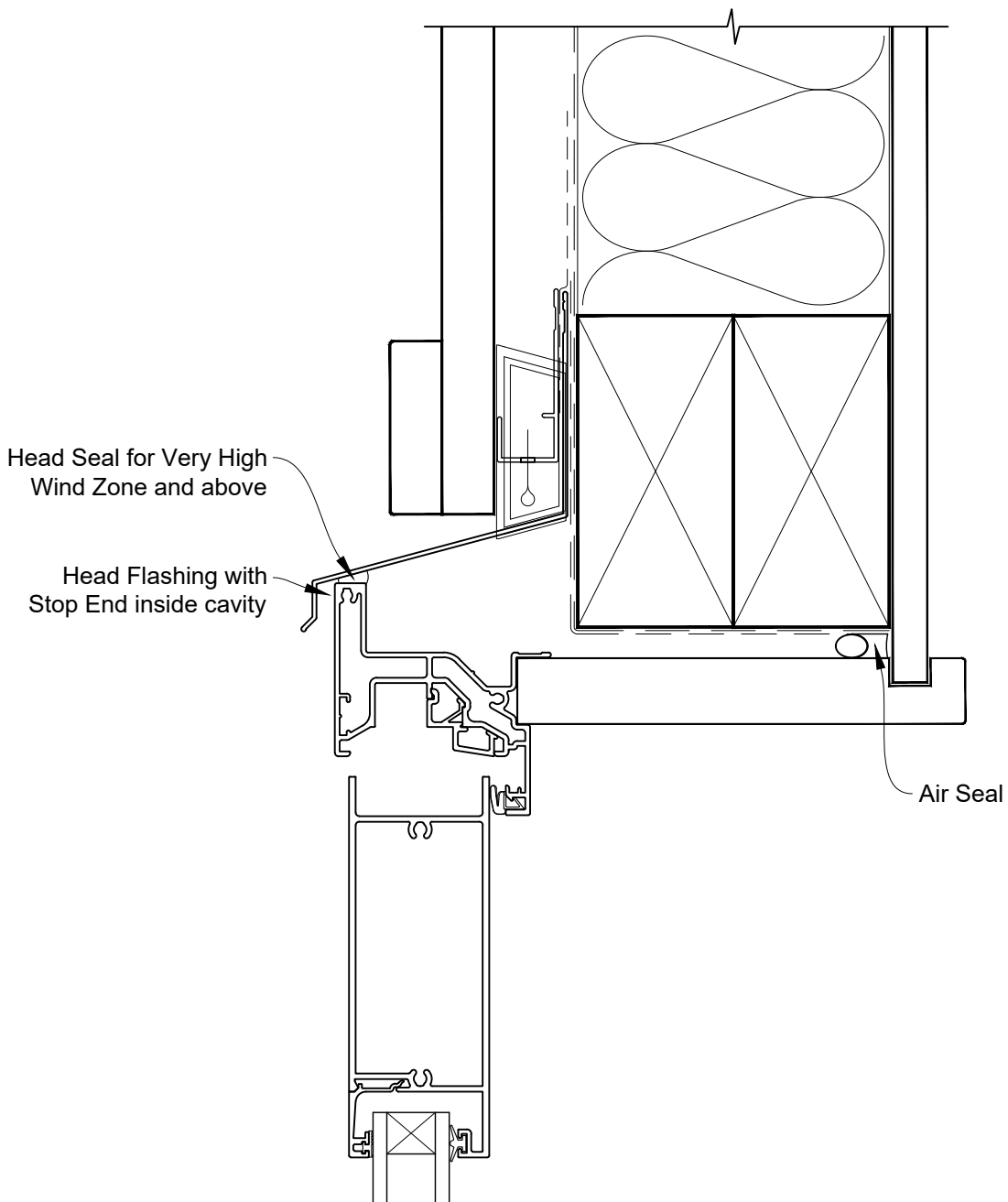


# INSTALLATION DETAIL - VANTAGE RESIDENTIAL BIFOLD DOOR OPEN OUT ON BOARD & BATTEN CAVITY CONSTRUCTION

Date: 01.04.19

Scale: 1:2

CAD Ref.: VRBOBB-CH



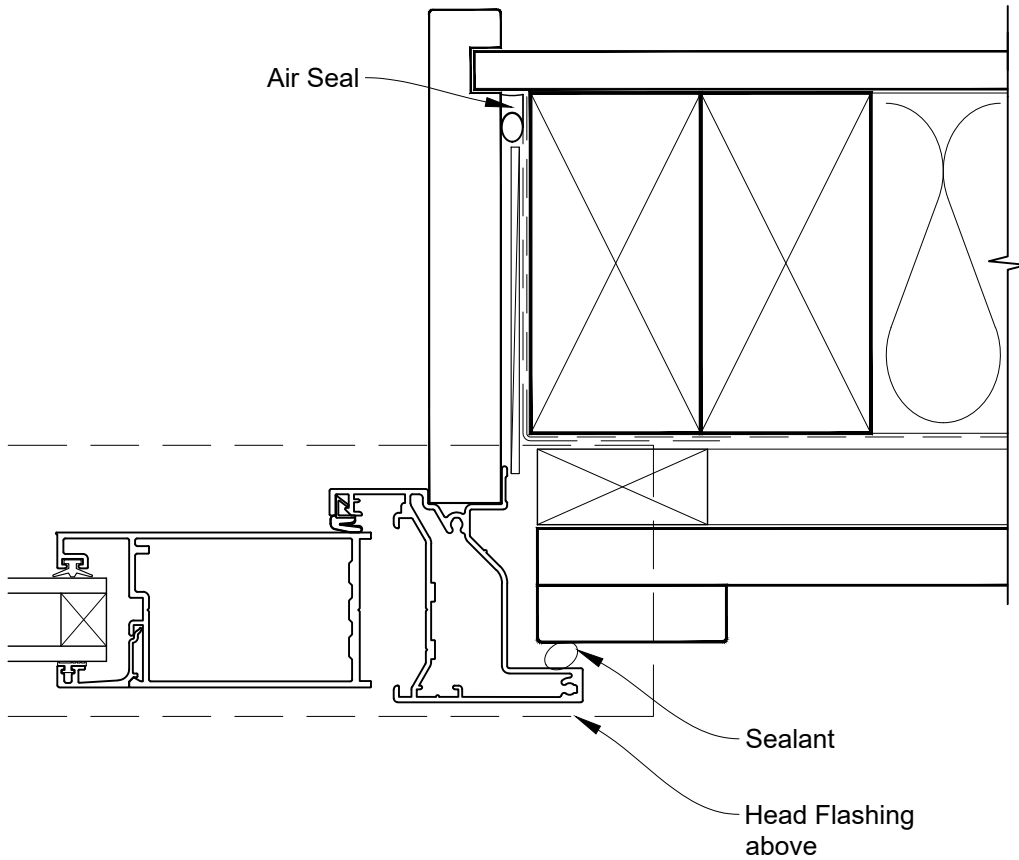


# INSTALLATION DETAIL - VANTAGE RESIDENTIAL BIFOLD DOOR OPEN OUT ON BOARD & BATTEN CAVITY CONSTRUCTION

Date: 01.04.19

Scale: 1:2

CAD Ref.: VRBOBB-CJ



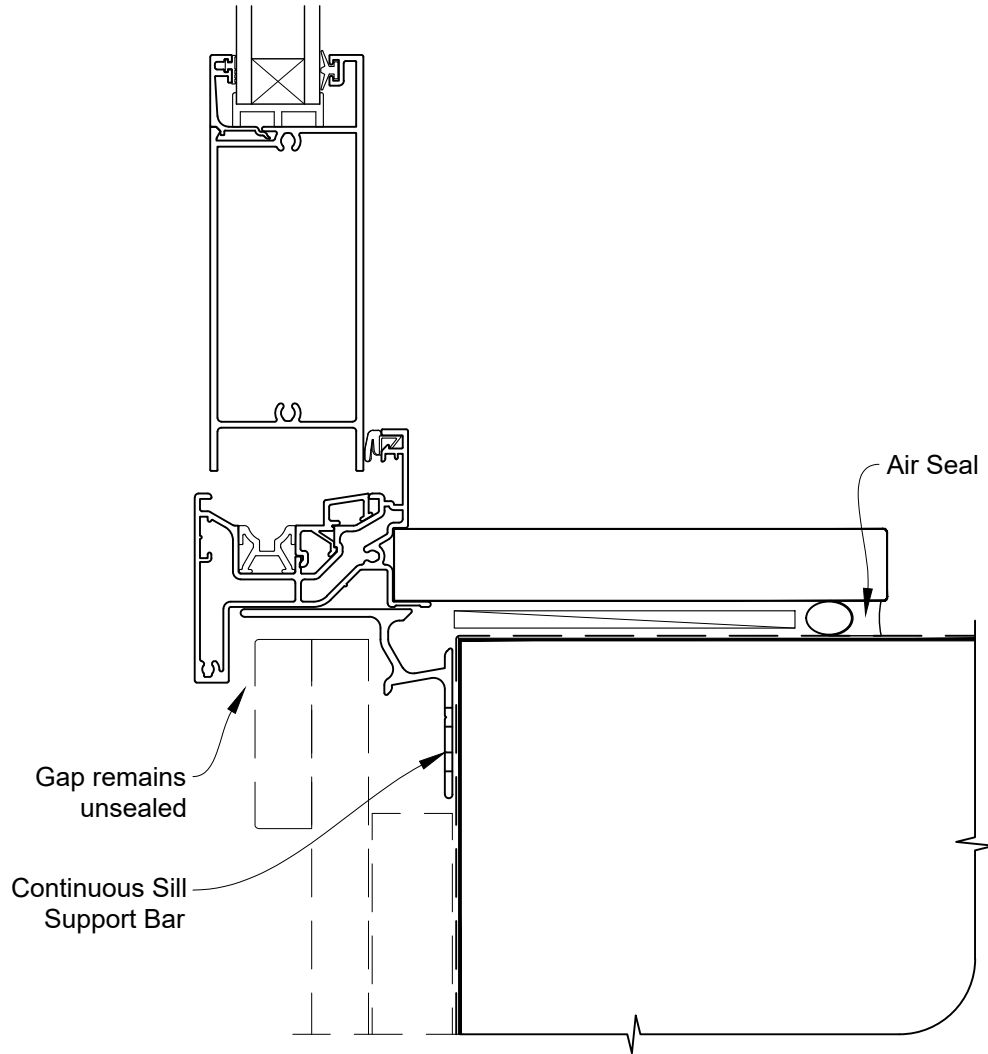


# INSTALLATION DETAIL - VANTAGE RESIDENTIAL BIFOLD DOOR OPEN OUT ON BOARD & BATTEN CAVITY CONSTRUCTION

Date: 01.04.19

Scale: 1:2

CAD Ref.: VRBOBB-CS



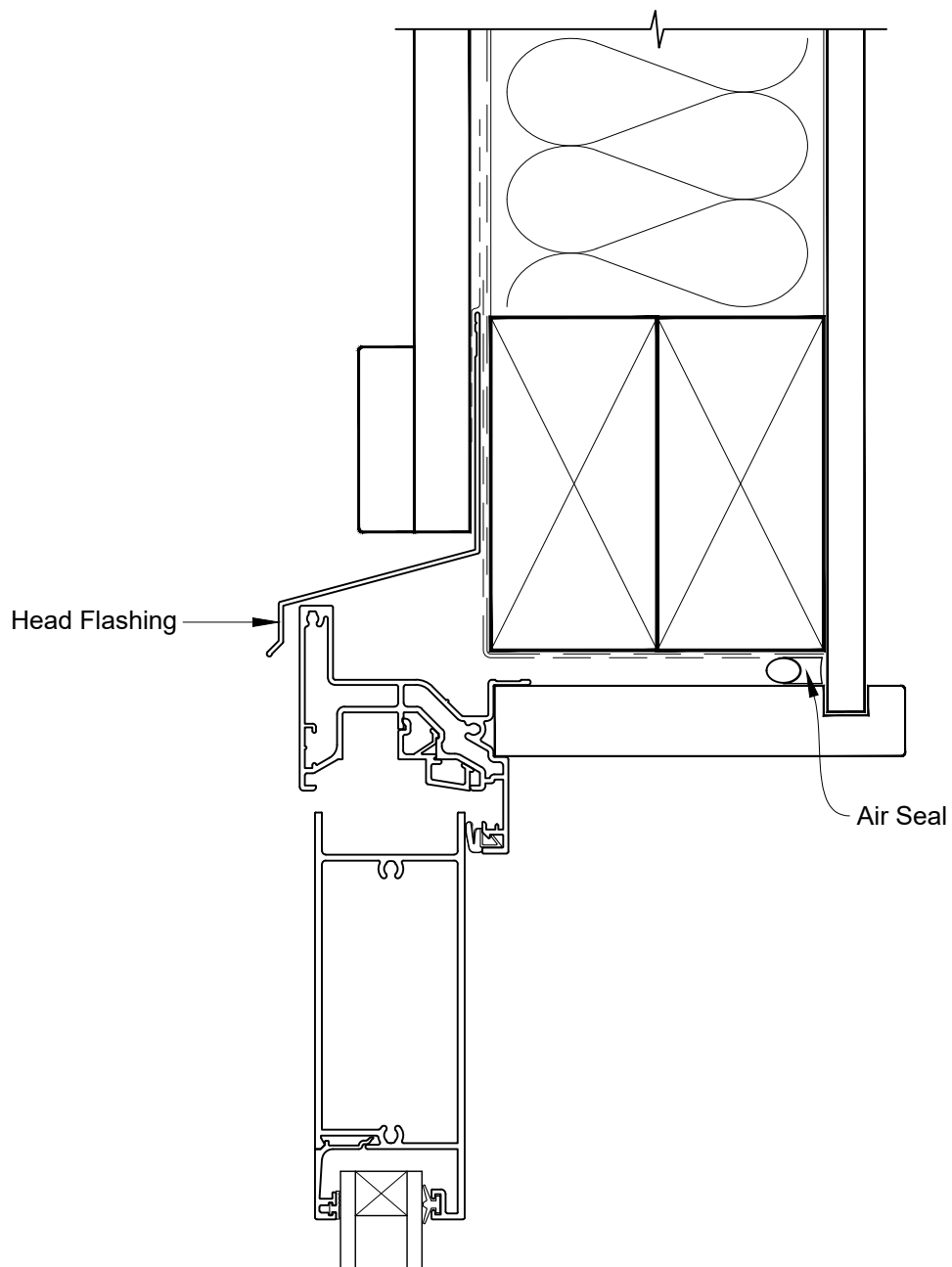


# INSTALLATION DETAIL - VANTAGE RESIDENTIAL BIFOLD DOOR OPEN OUT ON BOARD & BATTEN DIRECT FIXED CLADDING

Date: 01.04.19

Scale: 1:2

CAD Ref.: VRBOBB-DH



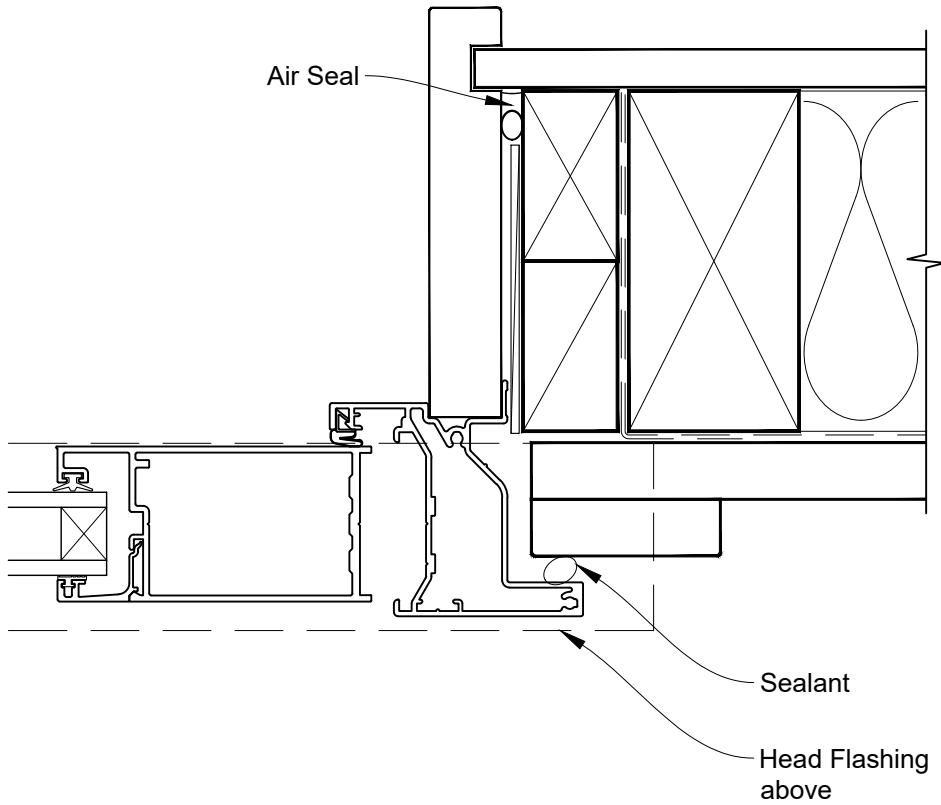


# INSTALLATION DETAIL - VANTAGE RESIDENTIAL BIFOLD DOOR OPEN OUT ON BOARD & BATTEN DIRECT FIXED CLADDING

Date: 01.04.19

Scale: 1:2

CAD Ref.: VRBOBB-DJ





# INSTALLATION DETAIL - VANTAGE RESIDENTIAL BIFOLD DOOR OPEN OUT ON BOARD & BATTEN DIRECT FIXED CLADDING

Date: 01.04.19

Scale: 1:2

CAD Ref.: VRBOBB-DS

