

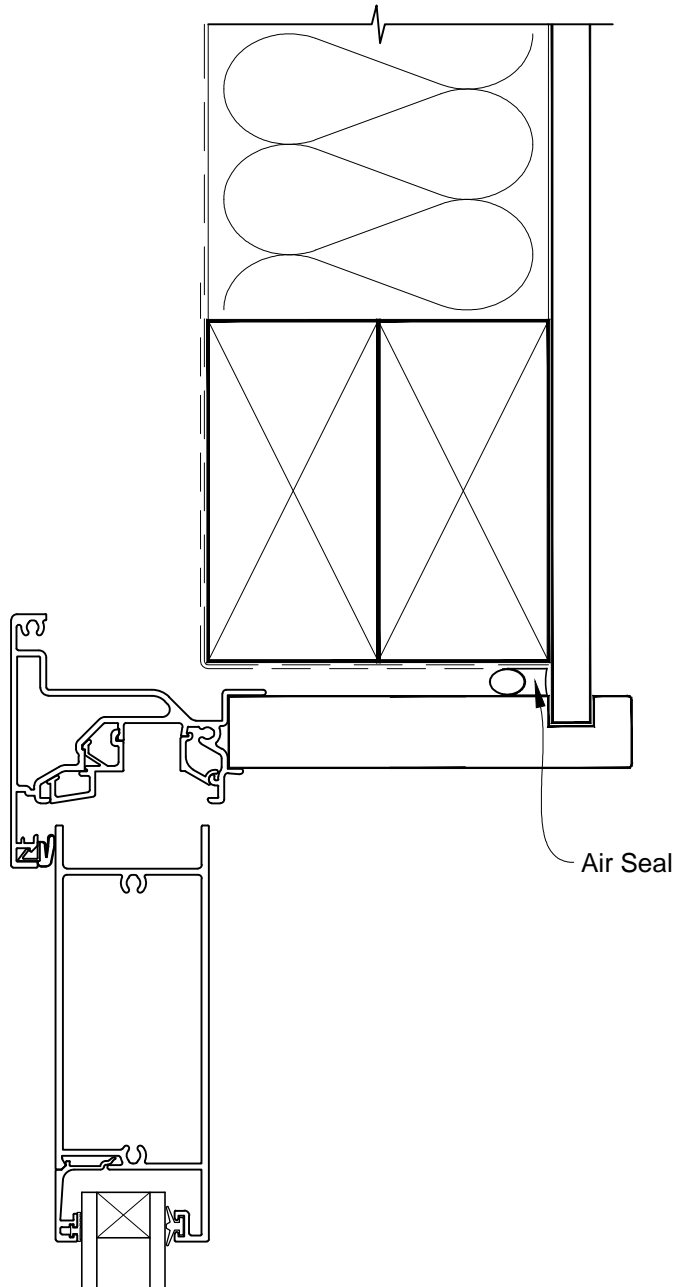


INSTALLATION DETAIL - VANTAGE RESIDENTIAL BIFOLD DOOR OPEN IN ON NO CLADDING CAVITY CONSTRUCTION

Date: 01.03.14

Scale: 1:2

CAD Ref.: VRBINC-CH



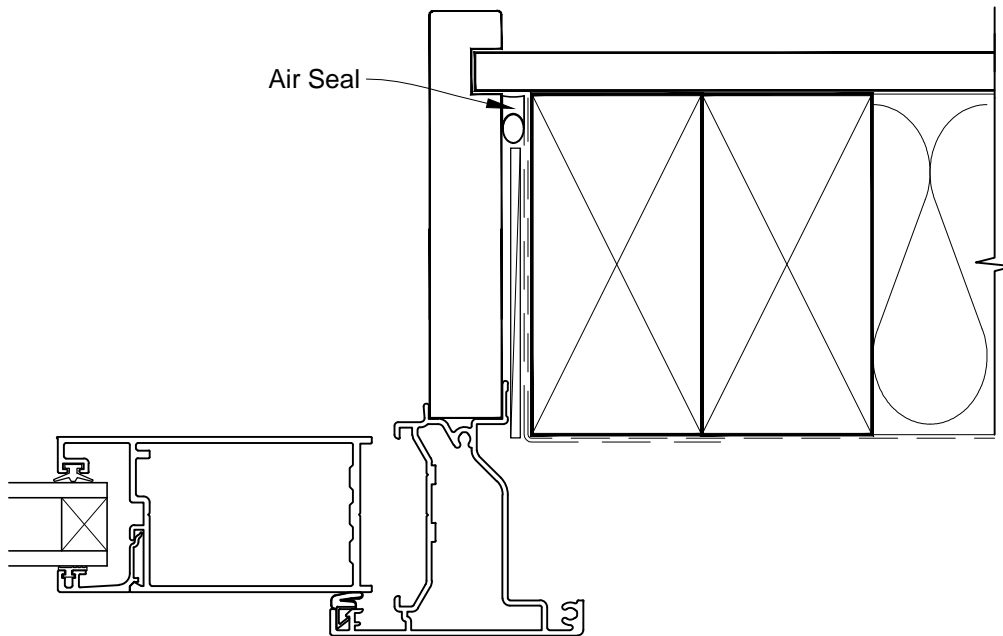


INSTALLATION DETAIL - VANTAGE RESIDENTIAL BIFOLD DOOR OPEN IN ON NO CLADDING CAVITY CONSTRUCTION

Date: 01.03.14

Scale: 1:2

CAD Ref.: VRBINC-CJ



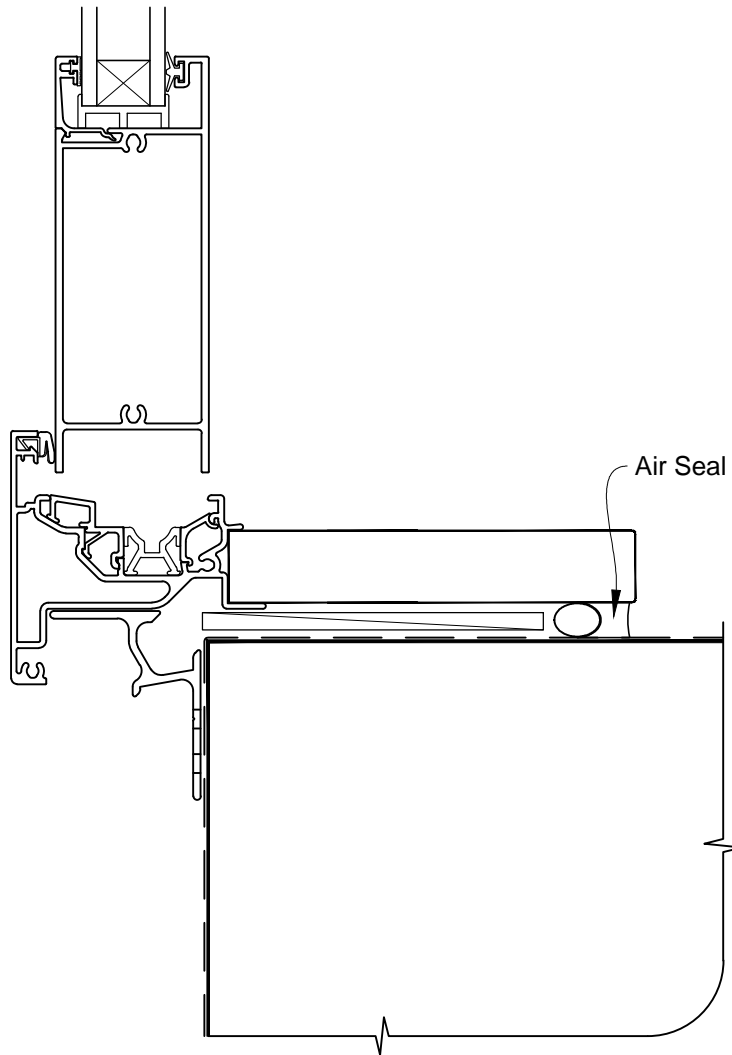


**INSTALLATION DETAIL - VANTAGE RESIDENTIAL
BIFOLD DOOR OPEN IN ON NO CLADDING
CAVITY CONSTRUCTION**

Date: 01.03.14

Scale: 1:2

CAD Ref.: VRBINC-CS



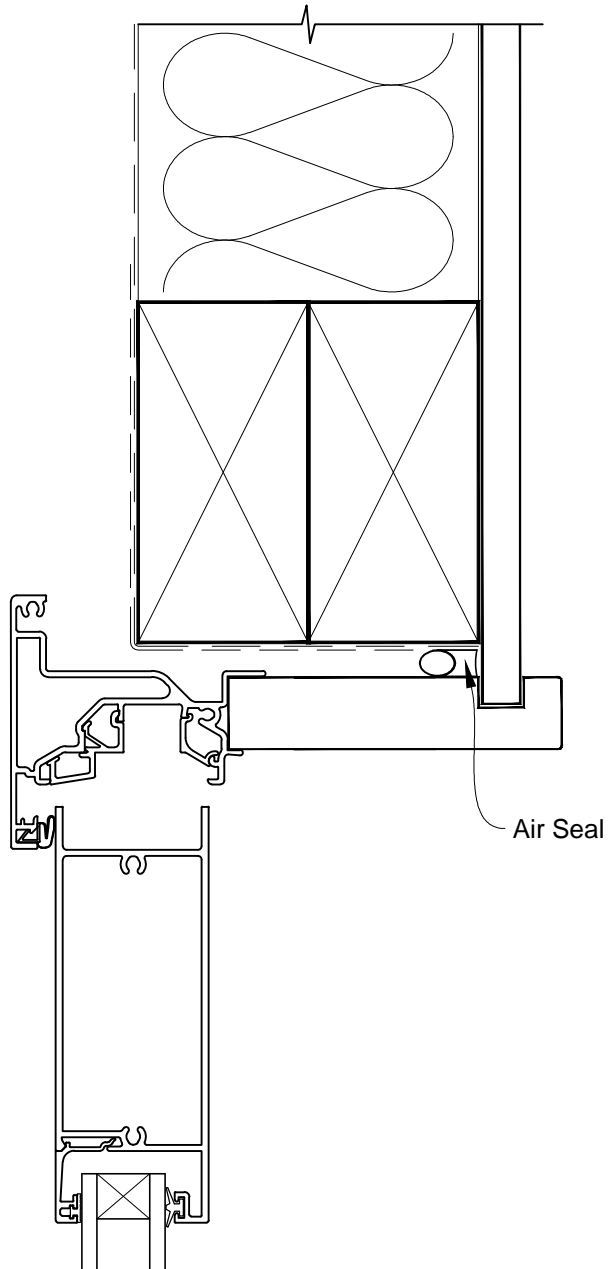


**INSTALLATION DETAIL - VANTAGE RESIDENTIAL
BIFOLD DOOR OPEN IN ON NO CLADDING
DIRECT FIXED CLADDING**

Date: 01.03.14

Scale: 1:2

CAD Ref.: VRBINC-DH



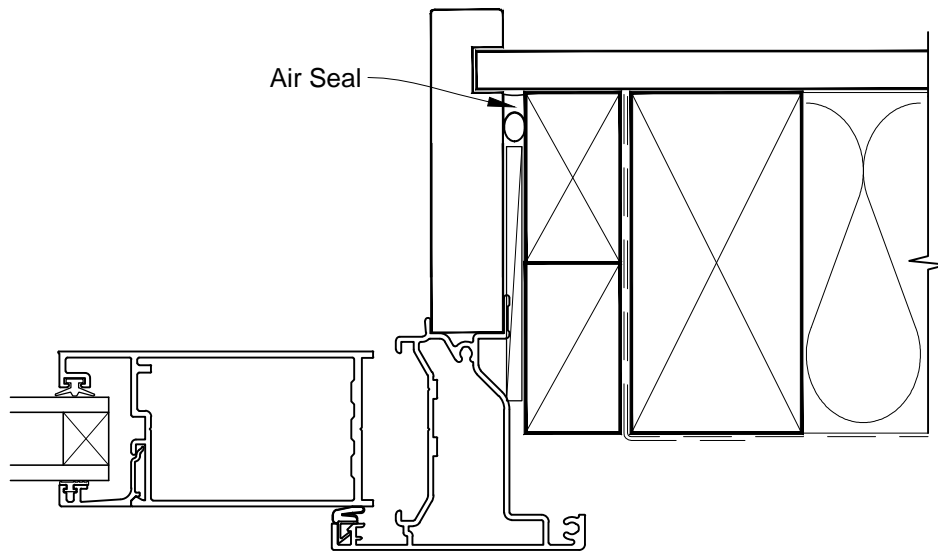


**INSTALLATION DETAIL - VANTAGE RESIDENTIAL
BIFOLD DOOR OPEN IN ON NO CLADDING
DIRECT FIXED CLADDING**

Date: 01.03.14

Scale: 1:2

CAD Ref.: VRBINC-DJ





**INSTALLATION DETAIL - VANTAGE RESIDENTIAL
BIFOLD DOOR OPEN IN ON NO CLADDING
DIRECT FIXED CLADDING**

Date: 01.03.14

Scale: 1:2

CAD Ref.: VRBINC-DS

