

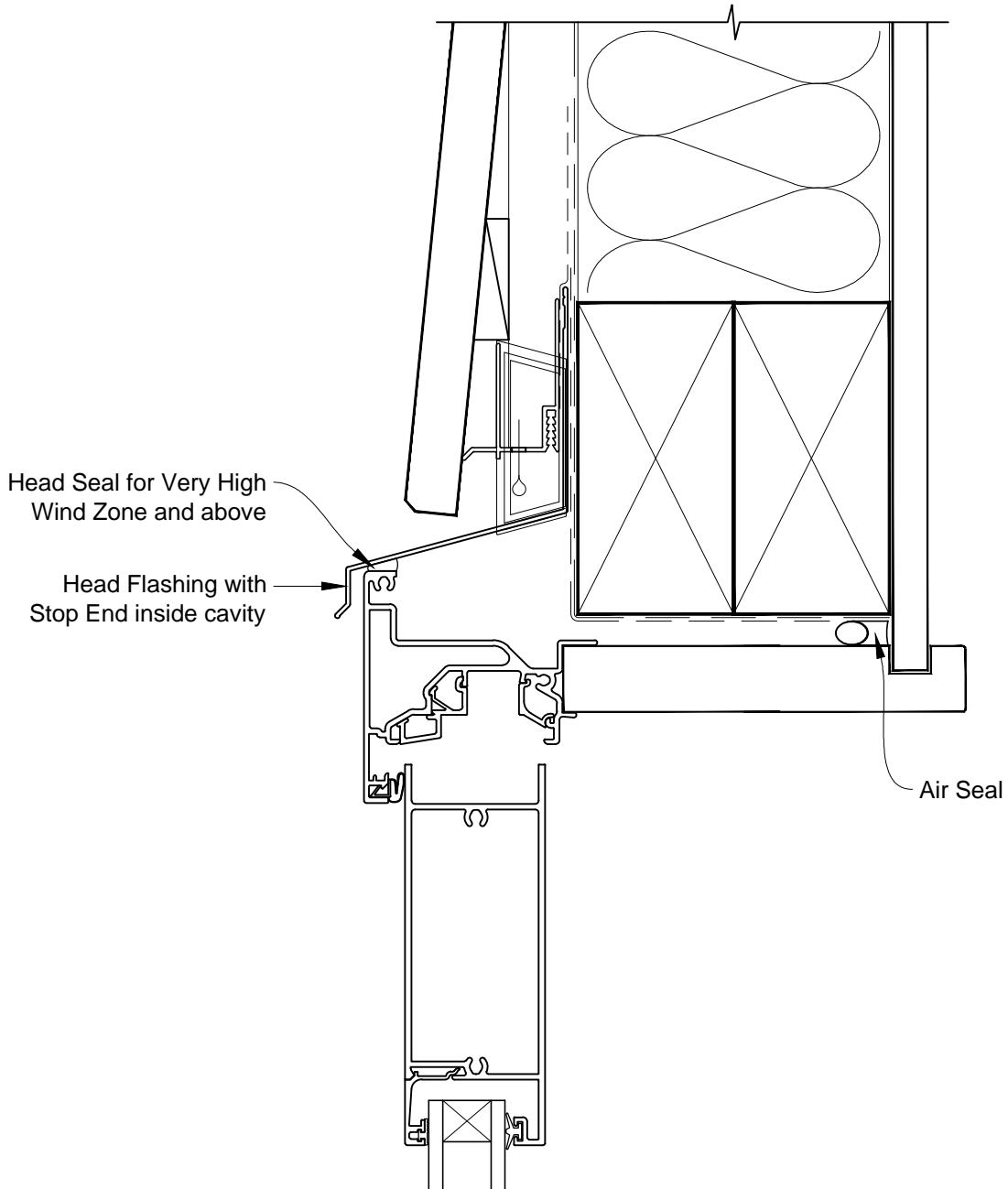


INSTALLATION DETAIL - VANTAGE RESIDENTIAL BIFOLD DOOR OPEN IN ON BEVELBACK WEATHERBOARD CAVITY CONSTRUCTION

Date: 01.03.14

Scale: 1:2

CAD Ref.: VRBIBW-CH



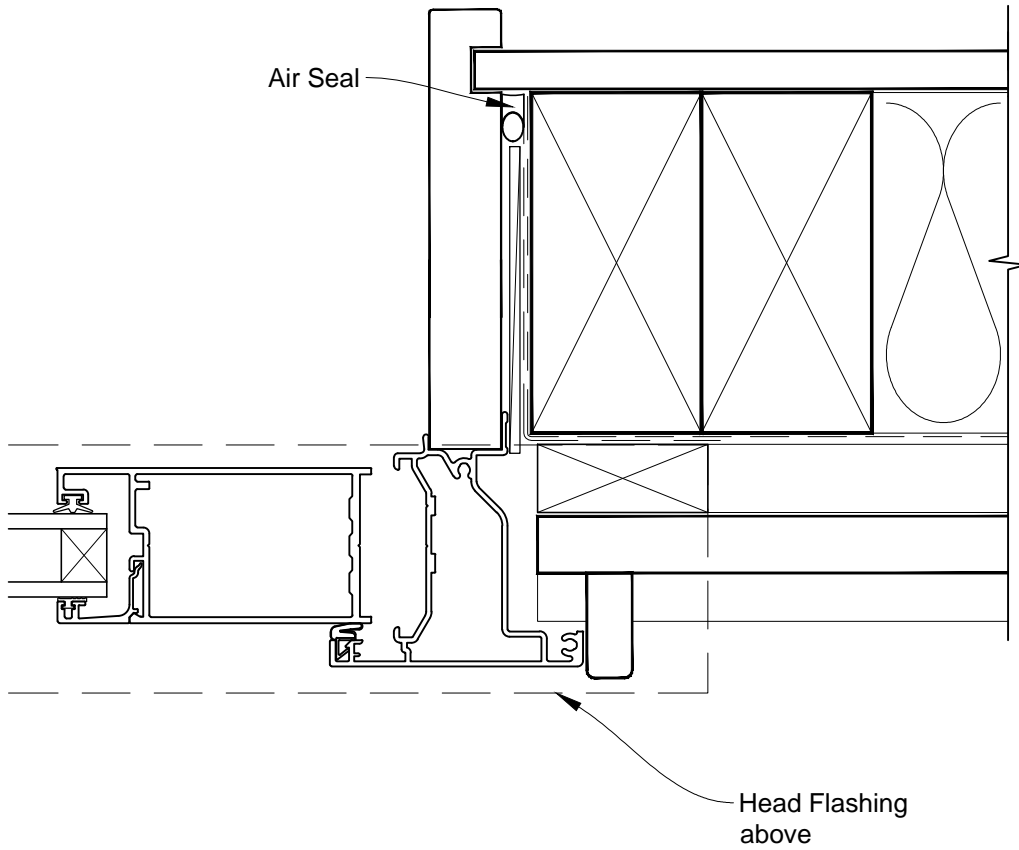


INSTALLATION DETAIL - VANTAGE RESIDENTIAL BIFOLD DOOR OPEN IN ON BEVELBACK WEATHERBOARD CAVITY CONSTRUCTION

Date: 01.03.14

Scale: 1:2

CAD Ref.: VRBIBW-CJ



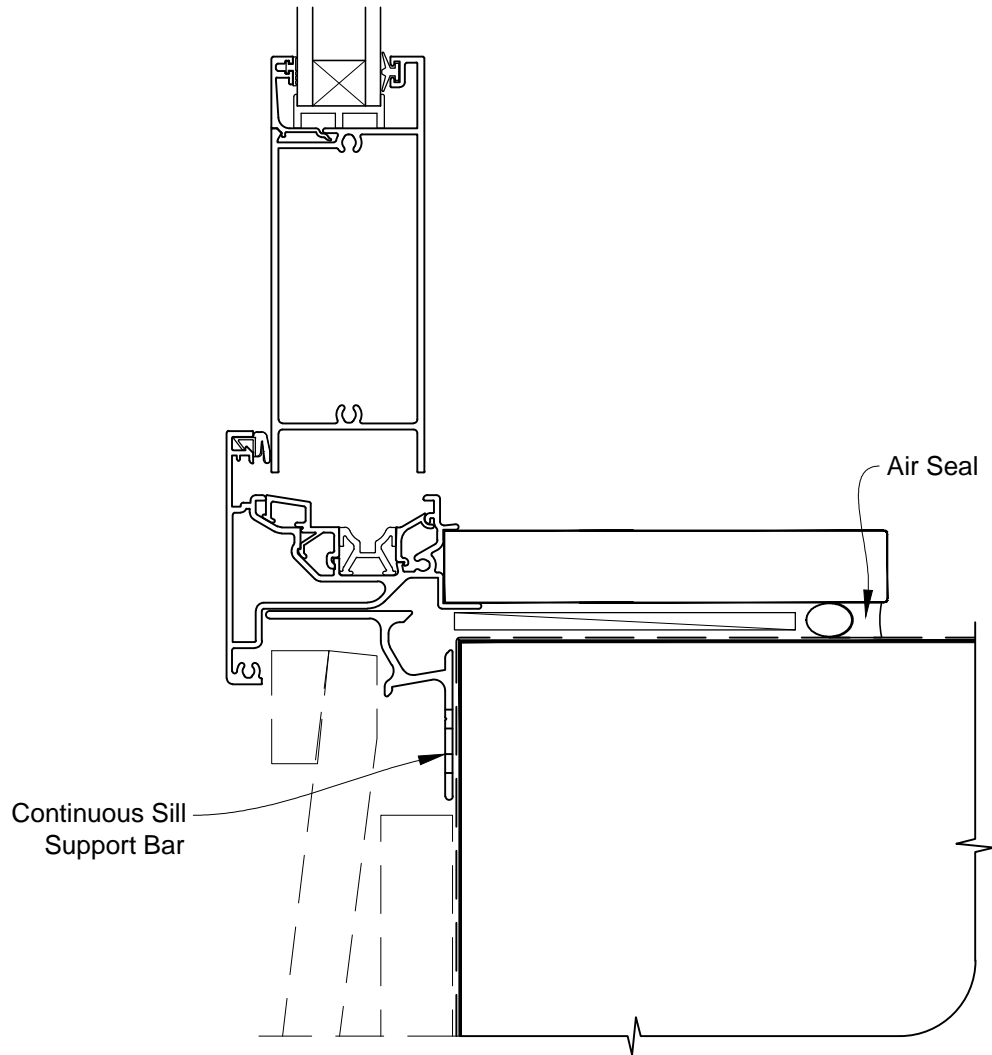


INSTALLATION DETAIL - VANTAGE RESIDENTIAL BIFOLD DOOR OPEN IN ON BEVELBACK WEATHERBOARD CAVITY CONSTRUCTION

Date: 01.03.14

Scale: 1:2

CAD Ref.: VRBIBW-CS



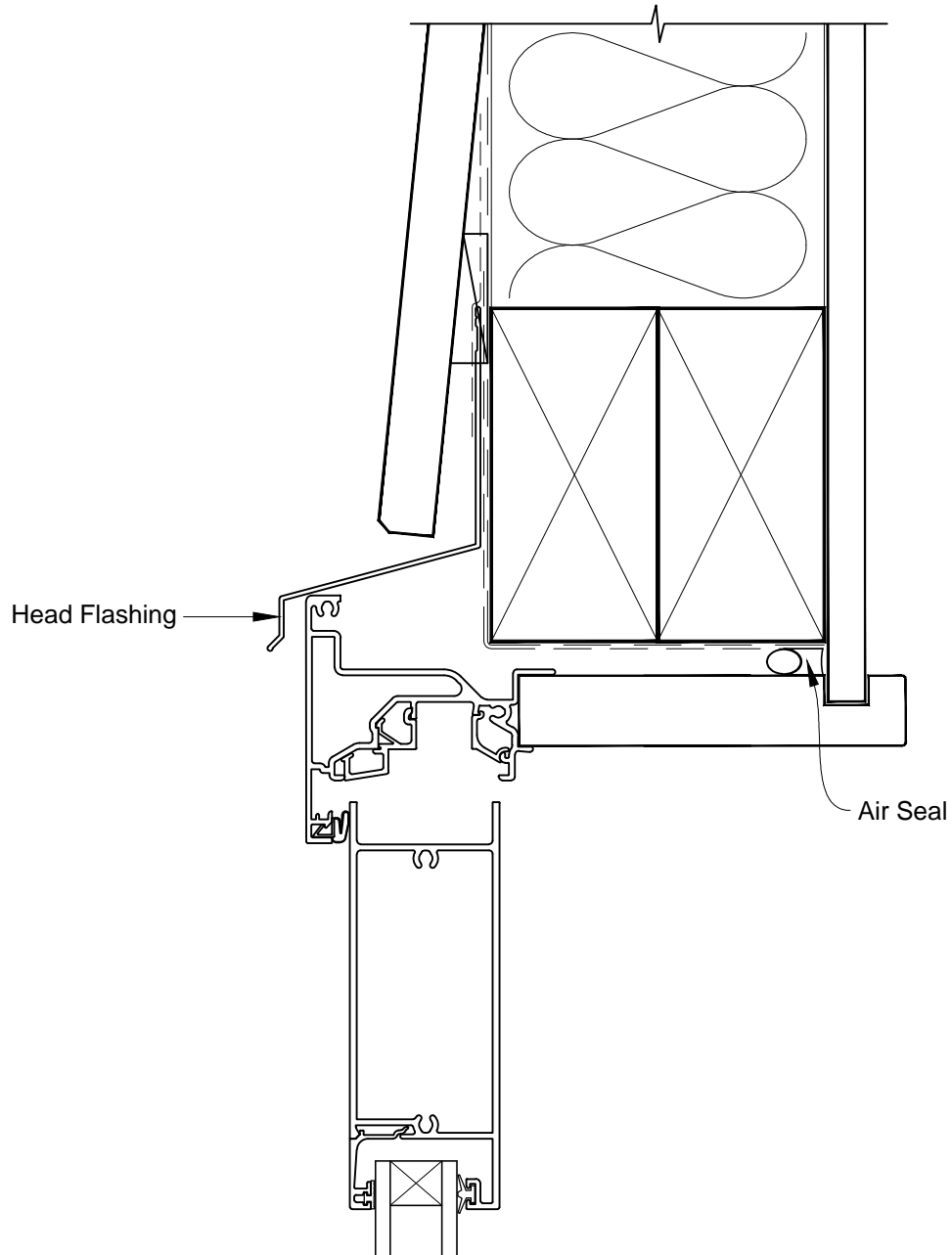


**INSTALLATION DETAIL - VANTAGE RESIDENTIAL
BIFOLD DOOR OPEN IN ON BEVELBACK WEATHERBOARD
DIRECT FIXED CLADDING**

Date: 01.03.14

Scale: 1:2

CAD Ref.: VRBIBW-DH



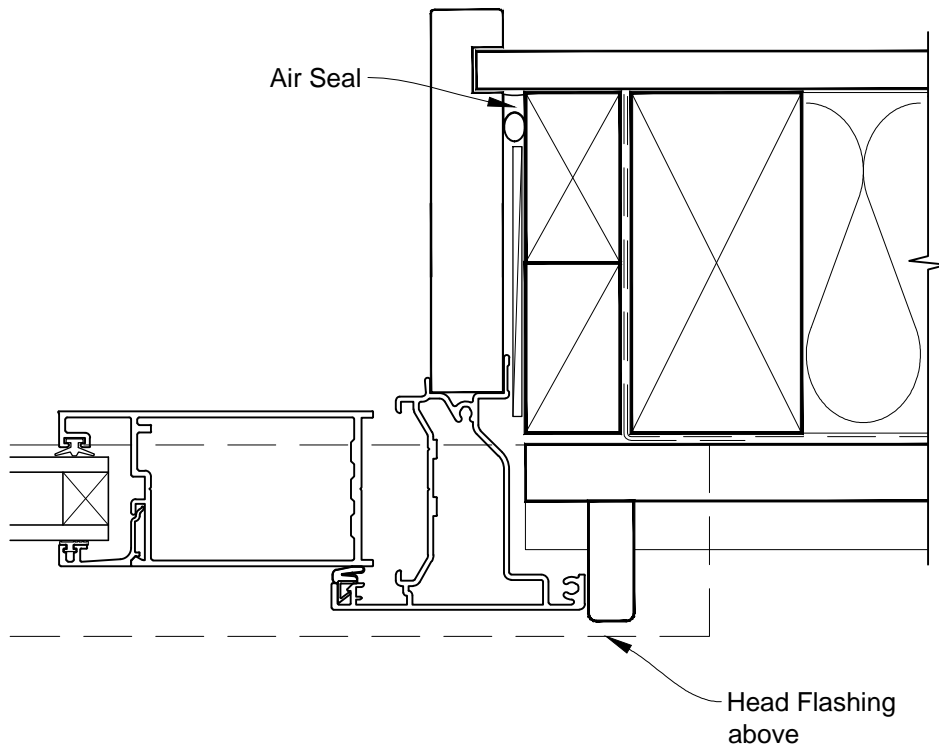


**INSTALLATION DETAIL - VANTAGE RESIDENTIAL
BIFOLD DOOR OPEN IN ON BEVELBACK WEATHERBOARD
DIRECT FIXED CLADDING**

Date: 01.03.14

Scale: 1:2

CAD Ref.: VRBIBW-DJ





INSTALLATION DETAIL - VANTAGE RESIDENTIAL BIFOLD DOOR OPEN IN ON BEVELBACK WEATHERBOARD DIRECT FIXED CLADDING

Date: 01.03.14

Scale: 1:2

CAD Ref.: VRBIBW-DS

