



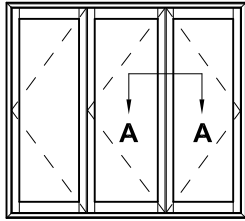
BI-FOLD MEETING STILES

CROSS SECTION

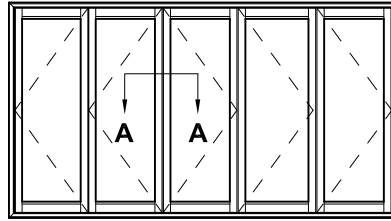
CAD REF. VBD05-0

DATE
01.04.19

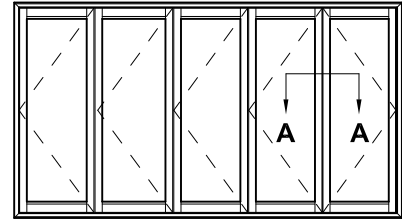
SCALE
1:2



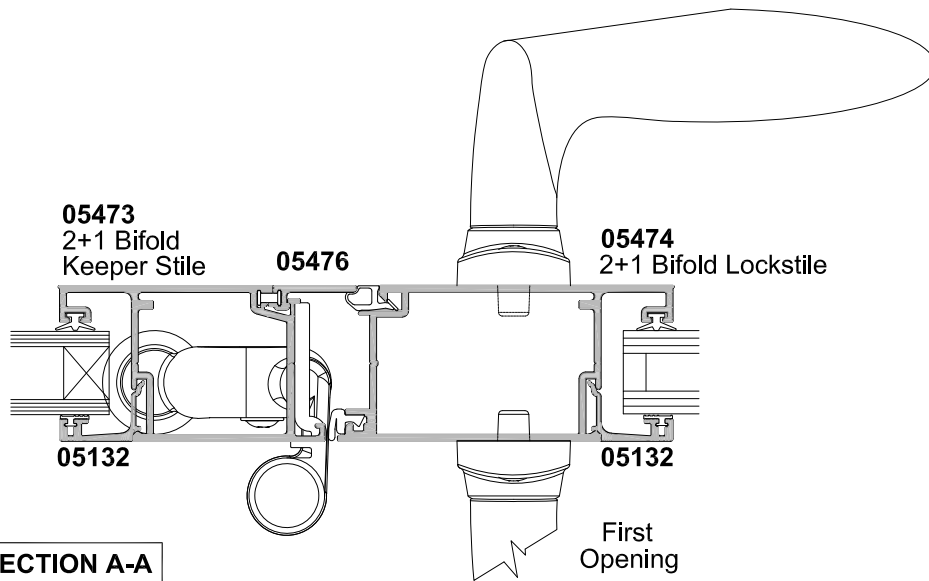
2 + 1 Panel



2 + 3 Panel

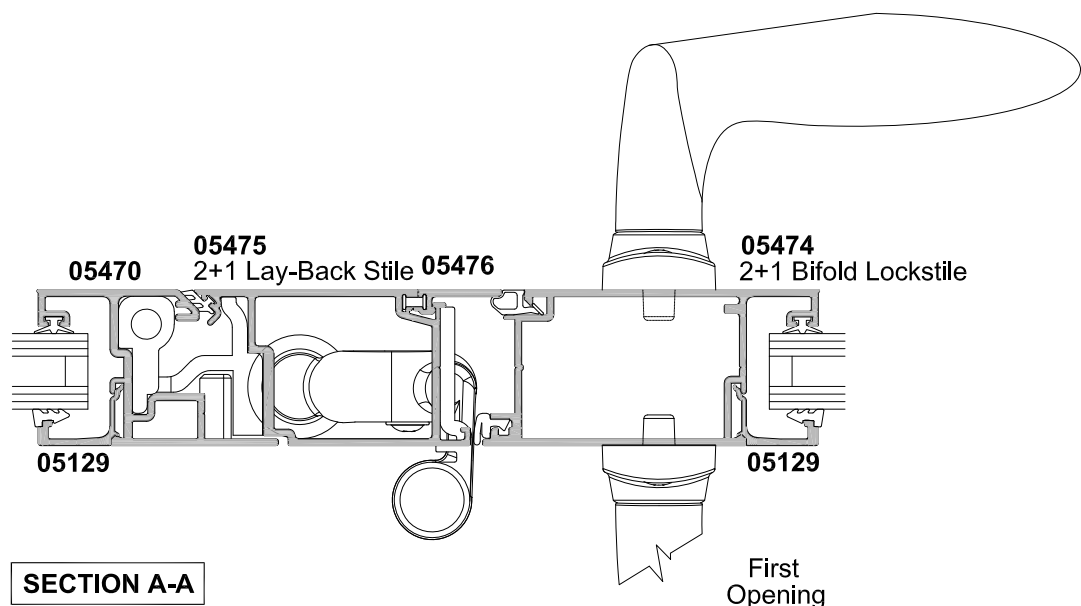


4 + 1 Panel



SECTION A-A

STANDARD BI-FOLD PANELS



SECTION A-A

LAY-BACK BI-FOLD PANELS
(Lay-Back Function on Two panel sides only)