



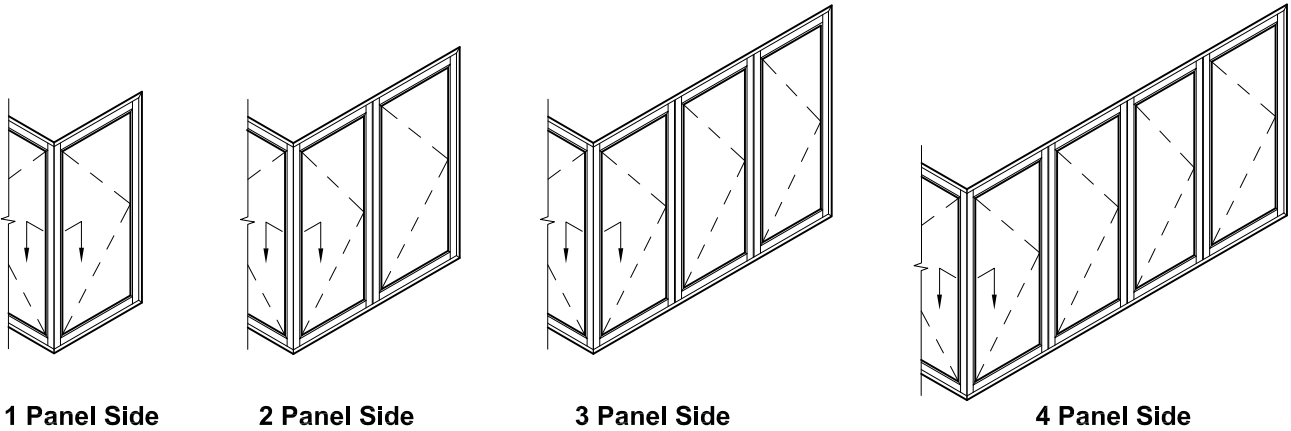
BI-FOLD 90° MEETING STILES

CROSS SECTION

CAD REF. VBD06-0

DATE
01.04.19

SCALE
1:2



1 Panel Side

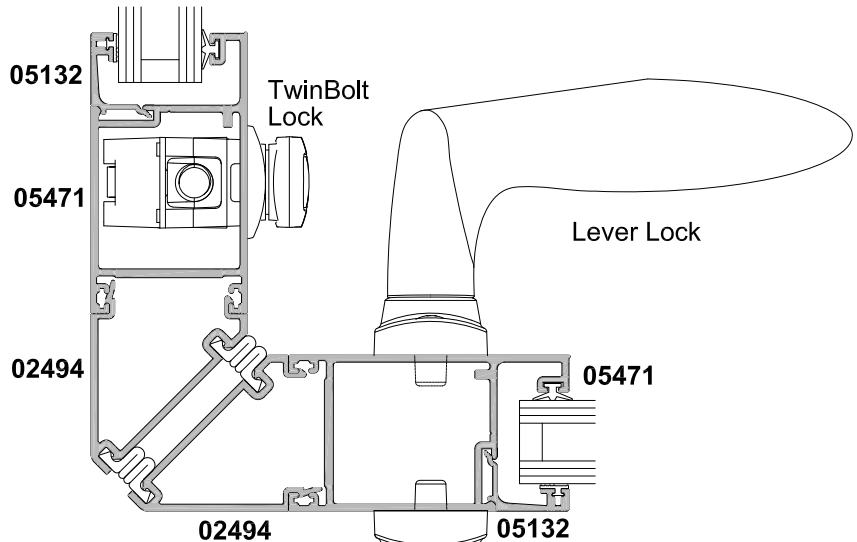
2 Panel Side

3 Panel Side

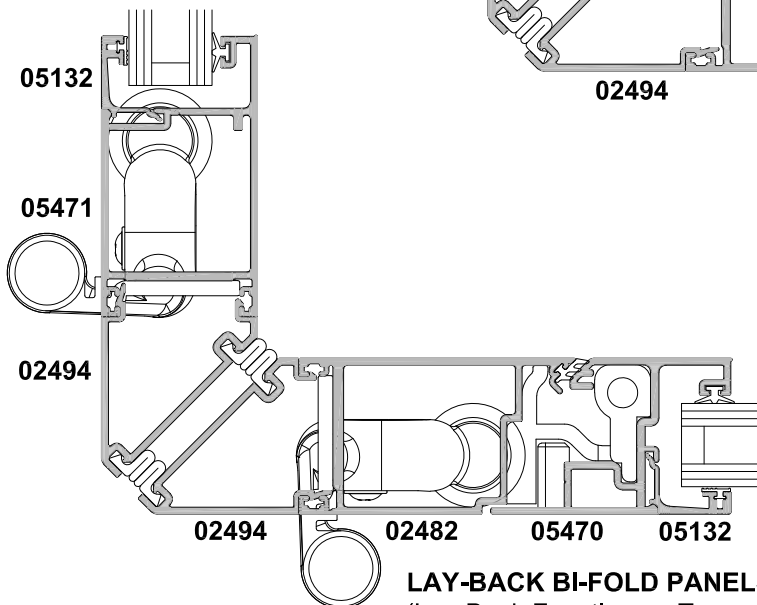
4 Panel Side

Panel numbers either side of the 90° corner can be arranged to suit most configurations, with the exception being Lay-Back Panels which can only be on a two panel side. Internal corner units are not possible.

END STILE FOR SIDE WITH AN ODD NUMBER OF PANELS



END STILE FOR SIDE WITH AN EVEN NUMBER OF PANELS



END STILE FOR SIDE WITH AN ODD NUMBER OF PANELS

LAY-BACK BI-FOLD PANELS (Lay-Back Function on Two panel sides only)