

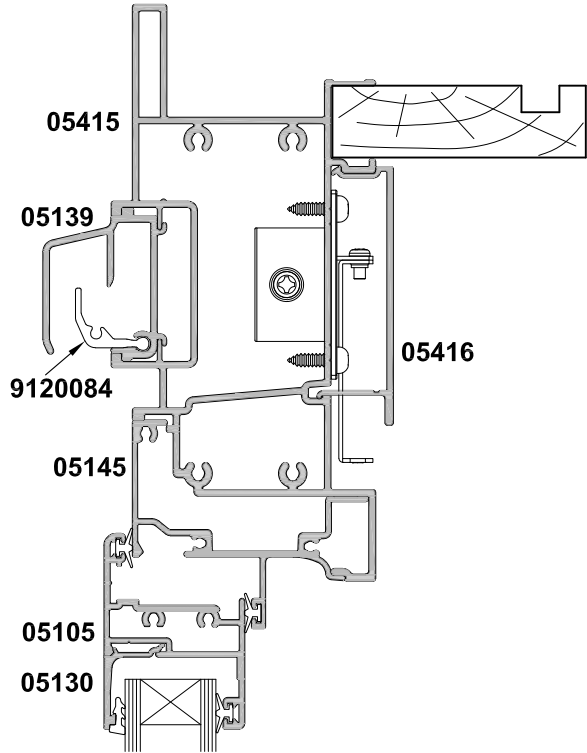


AWNING WINDOW, DOUBLE GLAZED VENTIENT CROSS SECTION

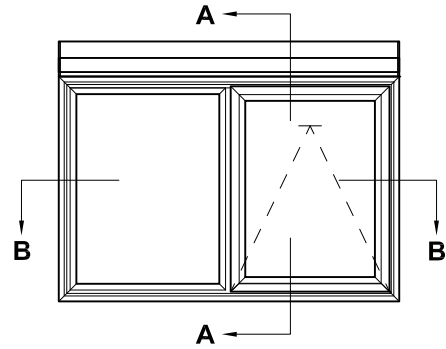
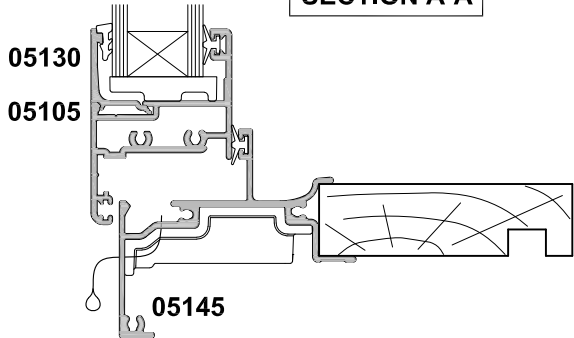
CAD REF. VAW03-0

DATE
01.04.19

SCALE
1:2



SECTION A-A



SECTION B-B

