

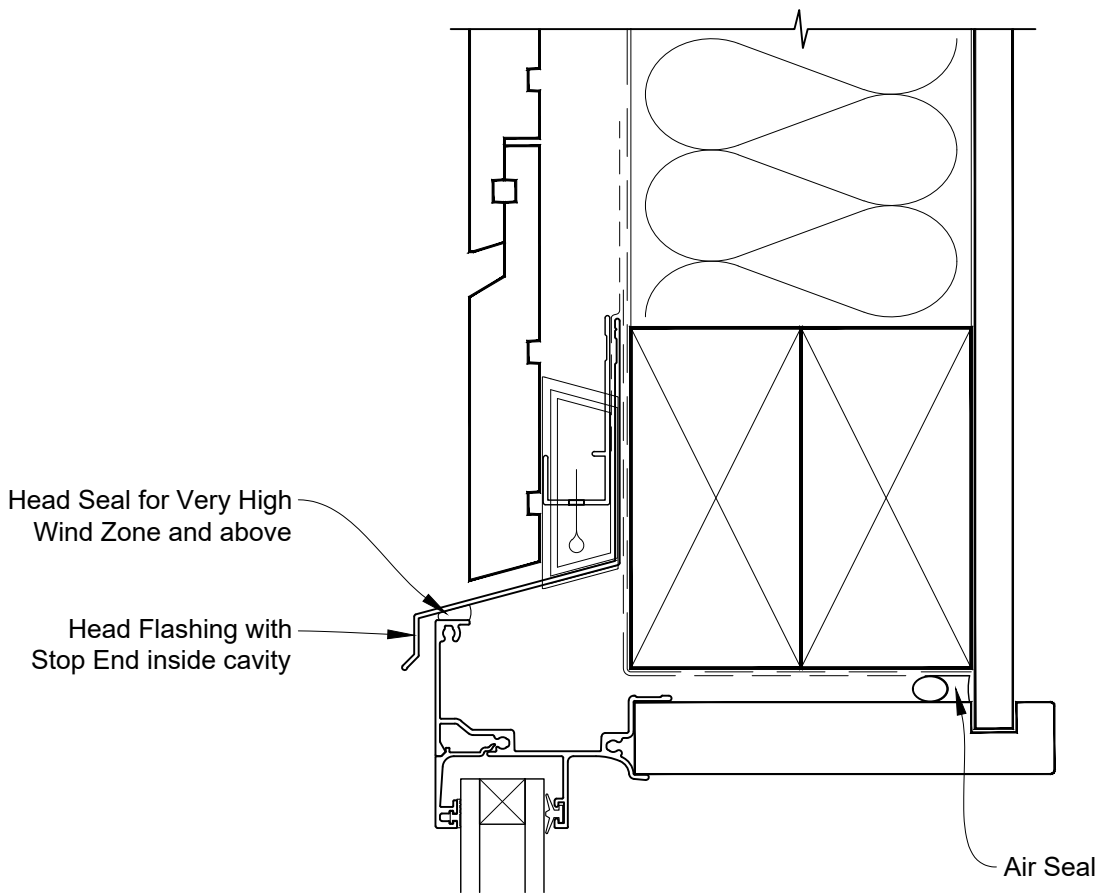


INSTALLATION DETAIL - VANTAGE RESIDENTIAL AWNING WINDOW ON RUSTICATED WEATHERBOARD CAVITY CONSTRUCTION

Date: 01.04.19

Scale: 1:2

CAD Ref.: VRAWRW-CH



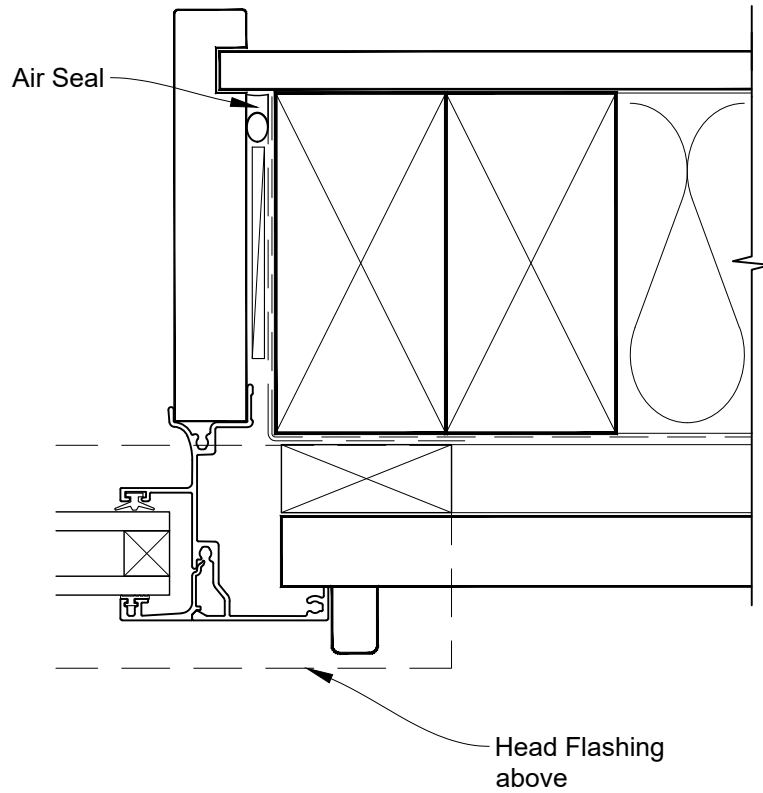


INSTALLATION DETAIL - VANTAGE RESIDENTIAL AWNING WINDOW ON RUSTICATED WEATHERBOARD CAVITY CONSTRUCTION

Date: 01.04.19

Scale: 1:2

CAD Ref.: VRAWRW-CJ



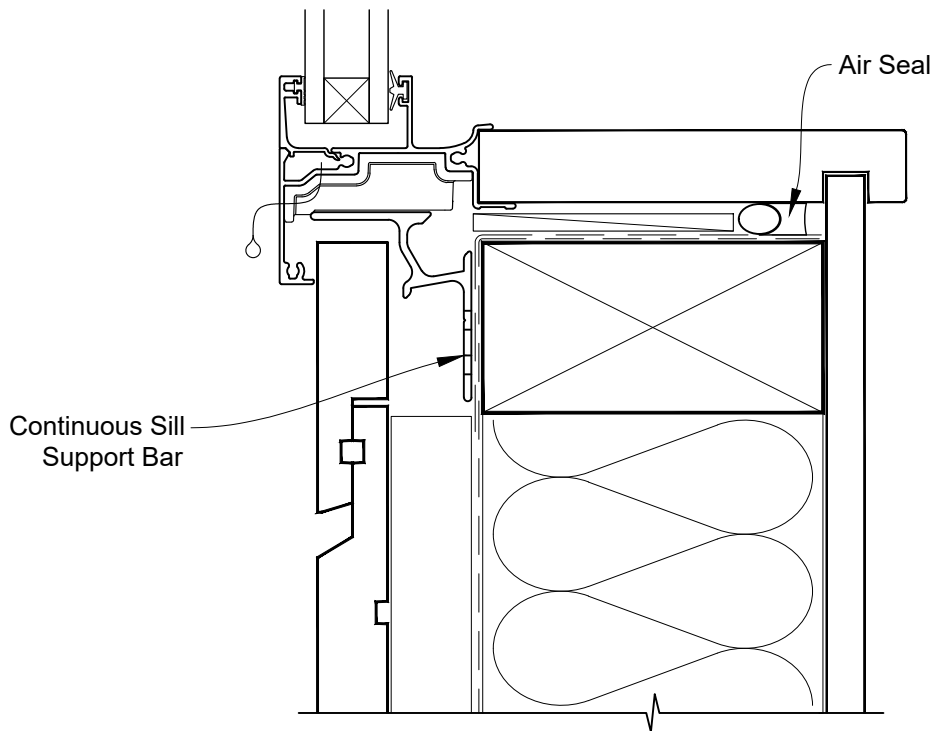


INSTALLATION DETAIL - VANTAGE RESIDENTIAL AWNING WINDOW ON RUSTICATED WEATHERBOARD CAVITY CONSTRUCTION

Date: 01.04.19

Scale: 1:2

CAD Ref.: VRAWRW-CS



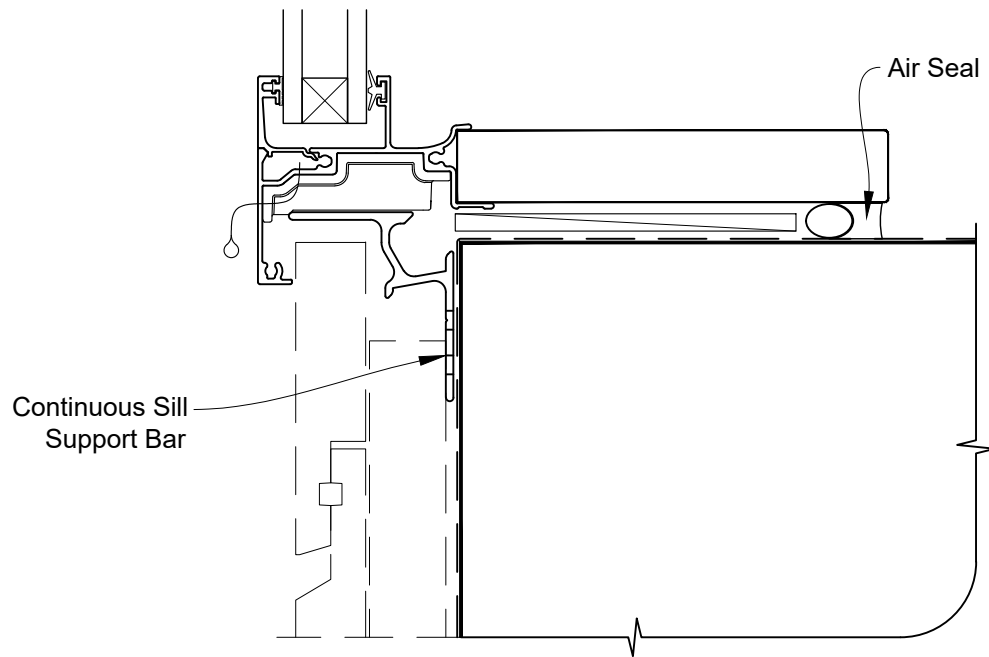


INSTALLATION DETAIL - VANTAGE RESIDENTIAL AWNING WINDOW ON RUSTICATED WEATHERBOARD CAVITY CONSTRUCTION

Date: 01.04.19

Scale: 1:2

CAD Ref.: VRAWRW-CS2



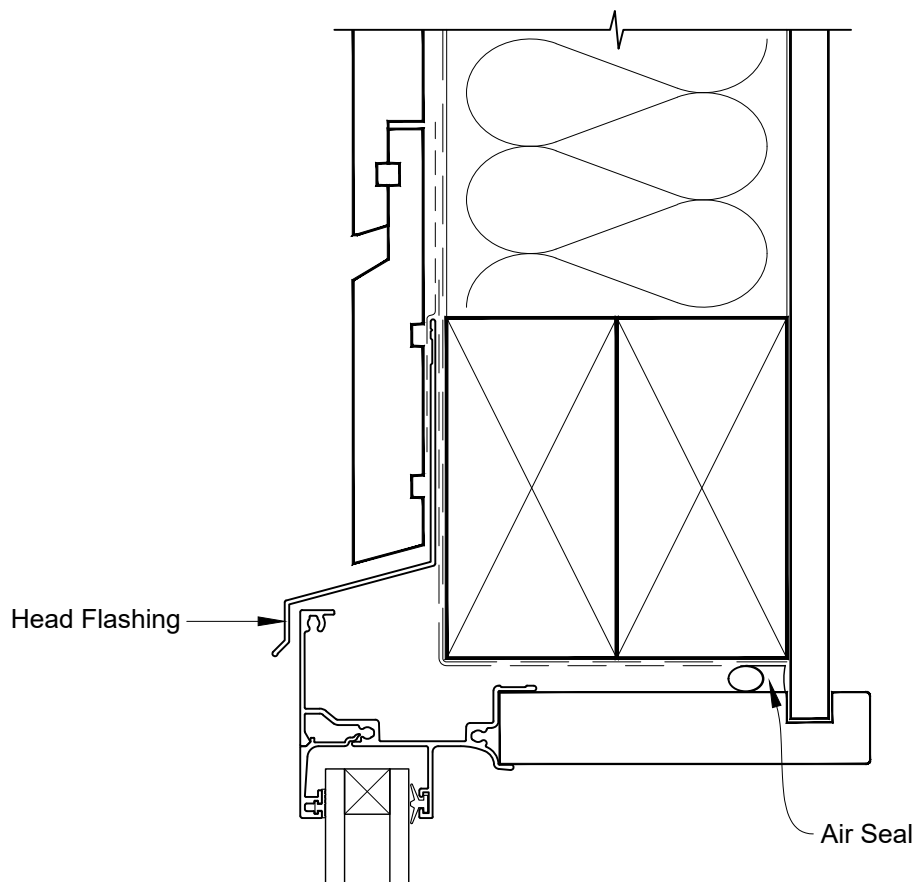


**INSTALLATION DETAIL - VANTAGE RESIDENTIAL
AWNING WINDOW ON RUSTICATED WEATHERBOARD
DIRECT FIXED CLADDING**

Date: 01.04.19

Scale: 1:2

CAD Ref.: VRAWRW-DH



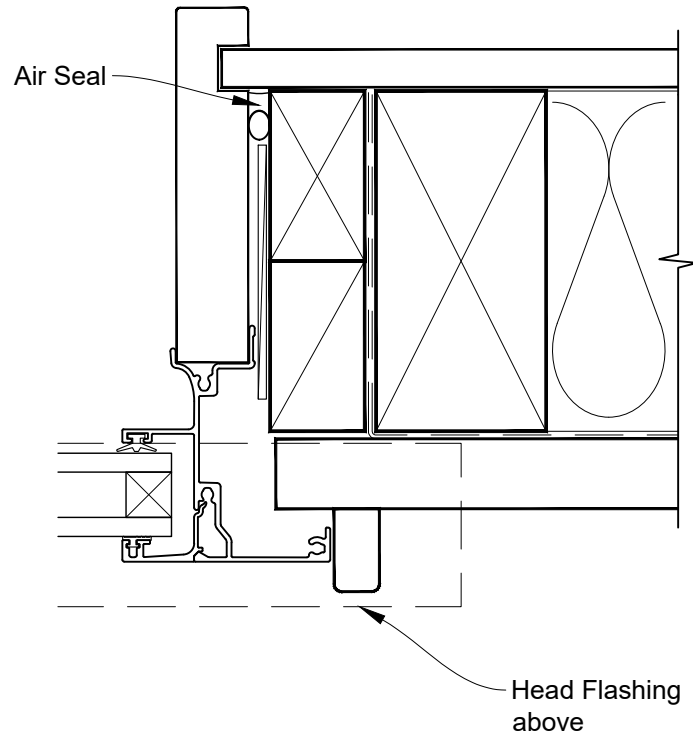


**INSTALLATION DETAIL - VANTAGE RESIDENTIAL
AWNING WINDOW ON RUSTICATED WEATHERBOARD
DIRECT FIXED CLADDING**

Date: 01.04.19

Scale: 1:2

CAD Ref.: VRAWRW-DJ



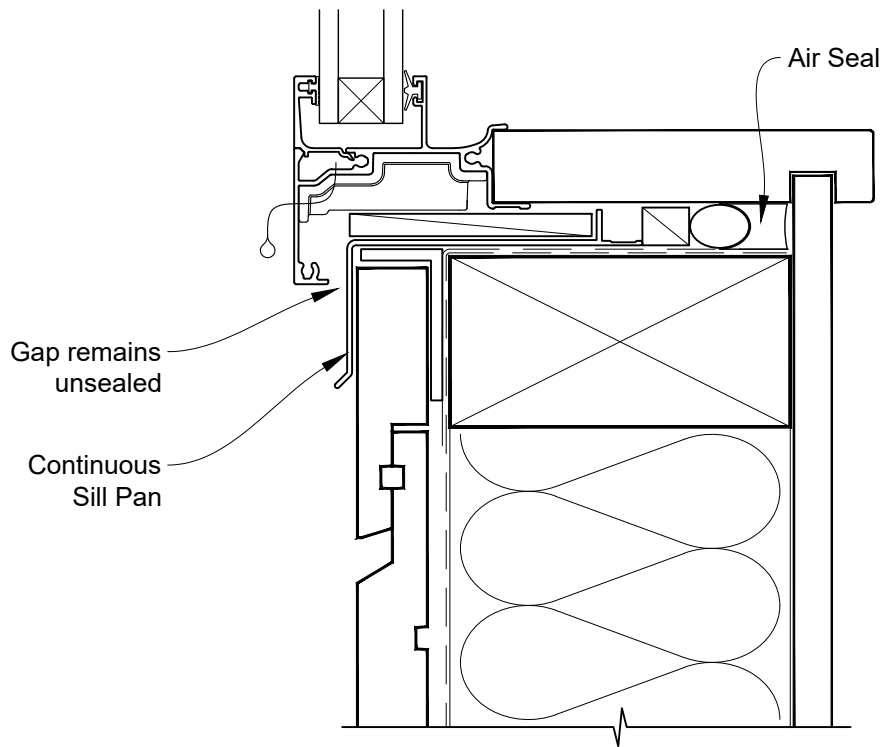


INSTALLATION DETAIL - VANTAGE RESIDENTIAL AWNING WINDOW ON RUSTICATED WEATHERBOARD DIRECT FIXED CLADDING

Date: 01.04.19

Scale: 1:2

CAD Ref.: VRAWRW-DS





INSTALLATION DETAIL - VANTAGE RESIDENTIAL AWNING WINDOW ON RUSTICATED WEATHERBOARD DIRECT FIXED CLADDING

Date: 01.04.19

Scale: 1:2

CAD Ref.: VRAWRW-DS2

