

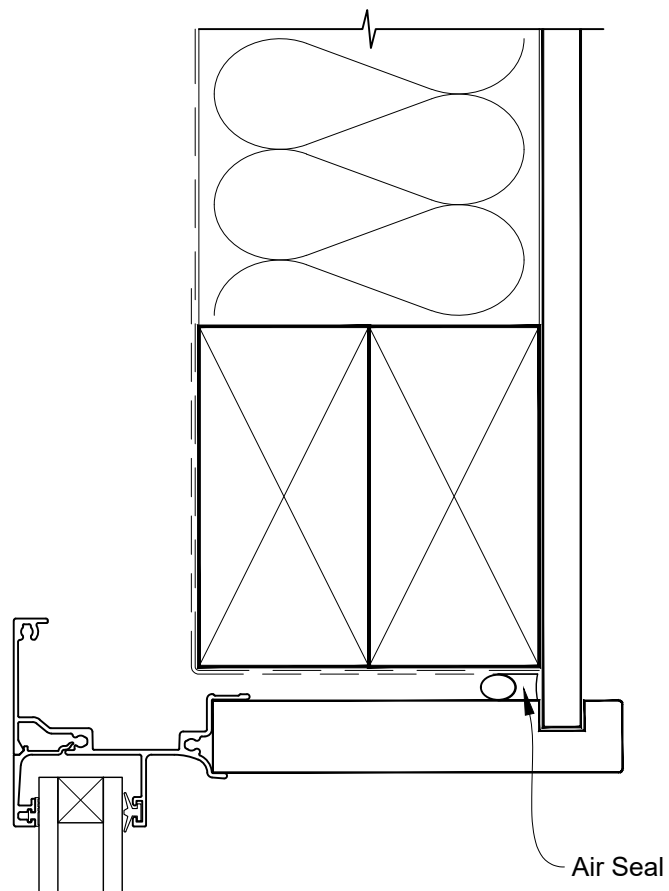


**INSTALLATION DETAIL - VANTAGE RESIDENTIAL  
AWNING WINDOW ON NO CLADDING  
CAVITY CONSTRUCTION**

Date: 01.04.19

Scale: 1:2

CAD Ref.: VRAWNC-CH



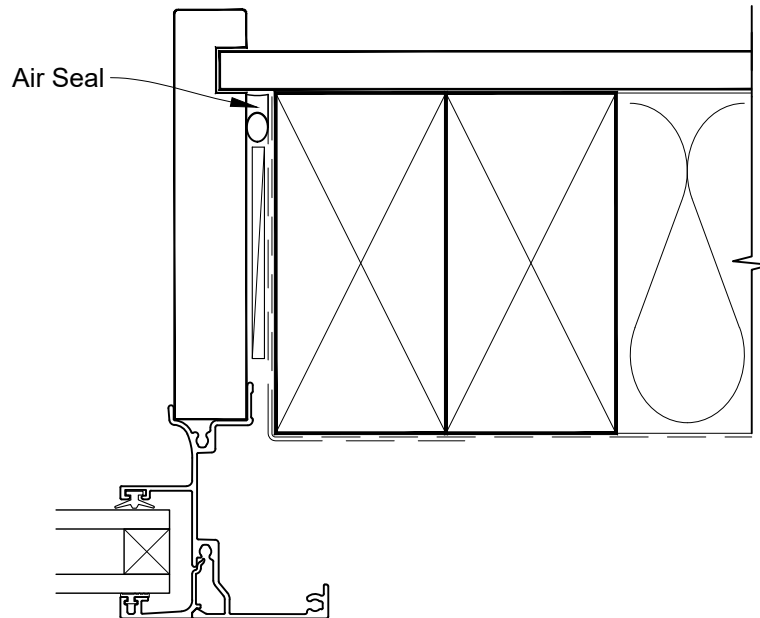


**INSTALLATION DETAIL - VANTAGE RESIDENTIAL  
AWNING WINDOW ON NO CLADDING  
CAVITY CONSTRUCTION**

Date: 01.04.19

Scale: 1:2

CAD Ref.: VRAWNC-CJ



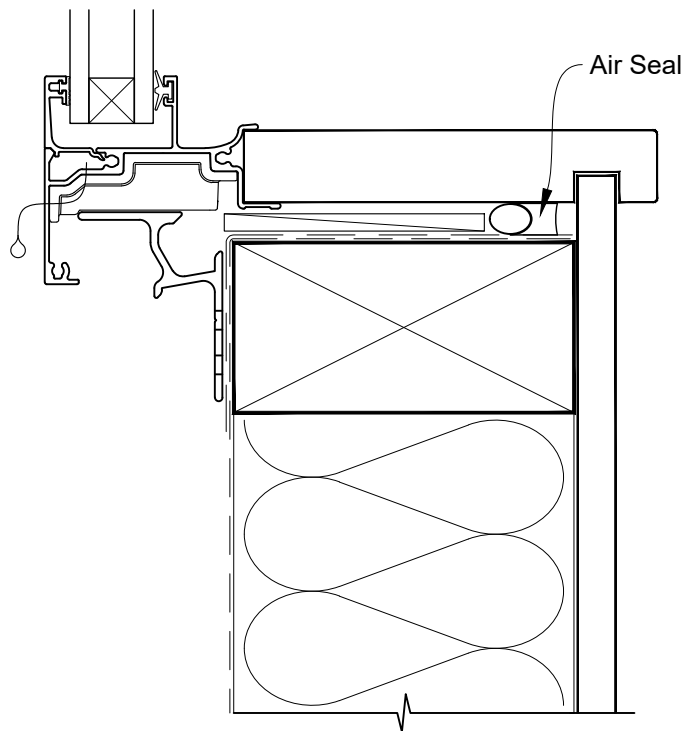


**INSTALLATION DETAIL - VANTAGE RESIDENTIAL  
AWNING WINDOW ON NO CLADDING  
CAVITY CONSTRUCTION**

Date: 01.04.19

Scale: 1:2

CAD Ref.: VRAWNC-CS



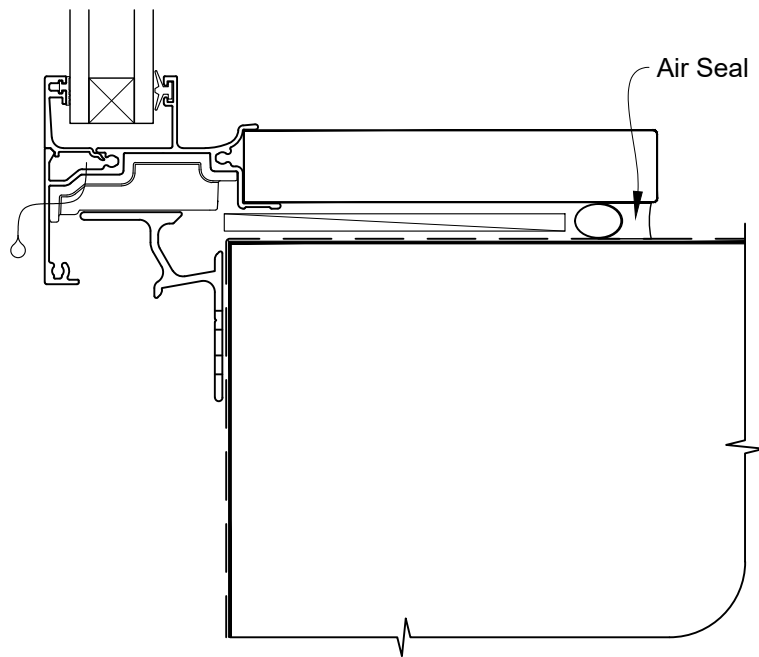


**INSTALLATION DETAIL - VANTAGE RESIDENTIAL  
AWNING WINDOW ON NO CLADDING  
CAVITY CONSTRUCTION**

Date: 01.04.19

Scale: 1:2

CAD Ref.: VRAWNC-CS2



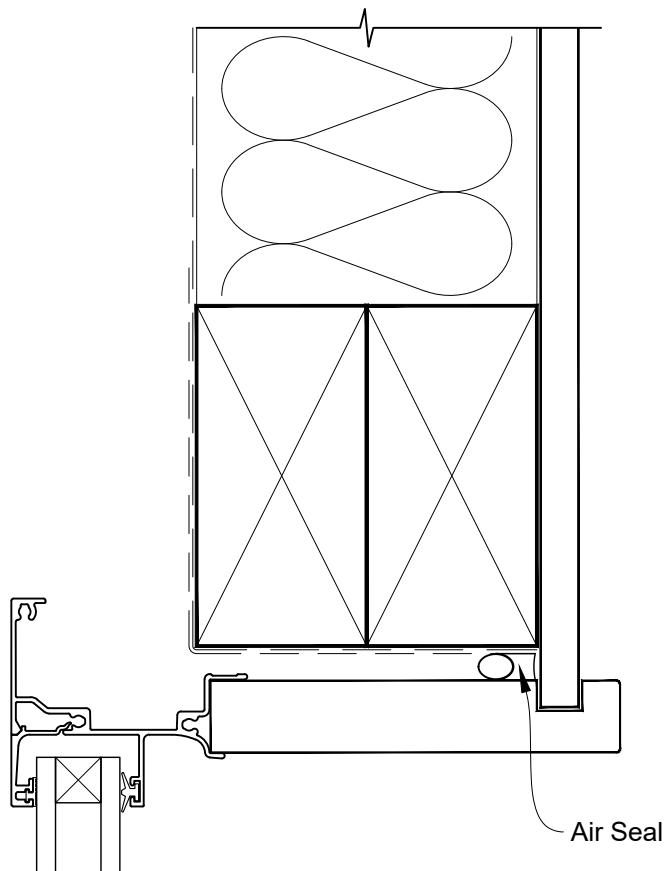


**INSTALLATION DETAIL - VANTAGE RESIDENTIAL  
AWNING WINDOW ON NO CLADDING  
DIRECT FIXED CLADDING**

Date: 01.04.19

Scale: 1:2

CAD Ref.: VRAWNC-DH



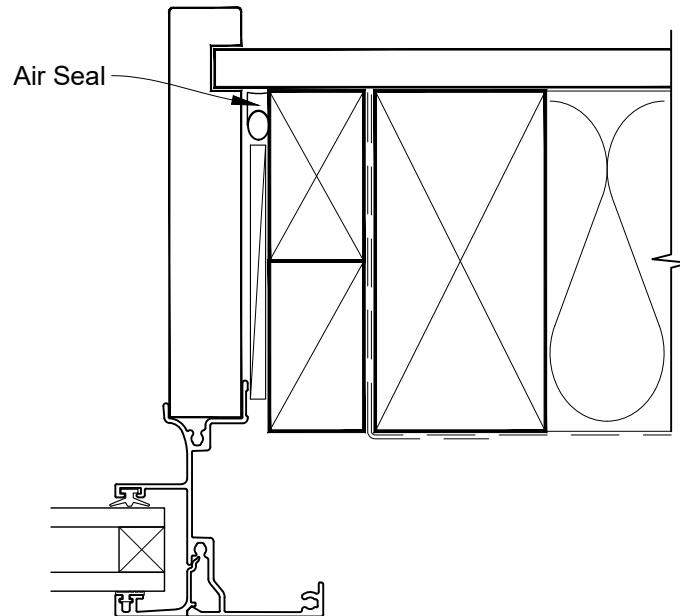


**INSTALLATION DETAIL - VANTAGE RESIDENTIAL  
AWNING WINDOW ON NO CLADDING  
DIRECT FIXED CLADDING**

Date: 01.04.19

Scale: 1:2

CAD Ref.: VRAWNC-DJ



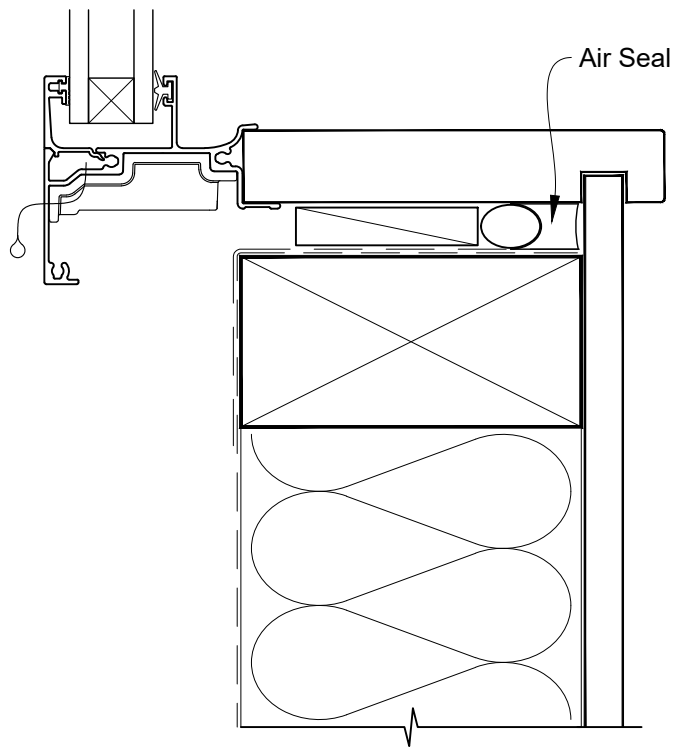


**INSTALLATION DETAIL - VANTAGE RESIDENTIAL  
AWNING WINDOW ON NO CLADDING  
DIRECT FIXED CLADDING**

Date: 01.04.19

Scale: 1:2

CAD Ref.: VRAWNC-DS





**INSTALLATION DETAIL - VANTAGE RESIDENTIAL  
AWNING WINDOW ON NO CLADDING  
DIRECT FIXED CLADDING**

Date: 01.04.19

Scale: 1:2

CAD Ref.: VRAWNC-DS2

