

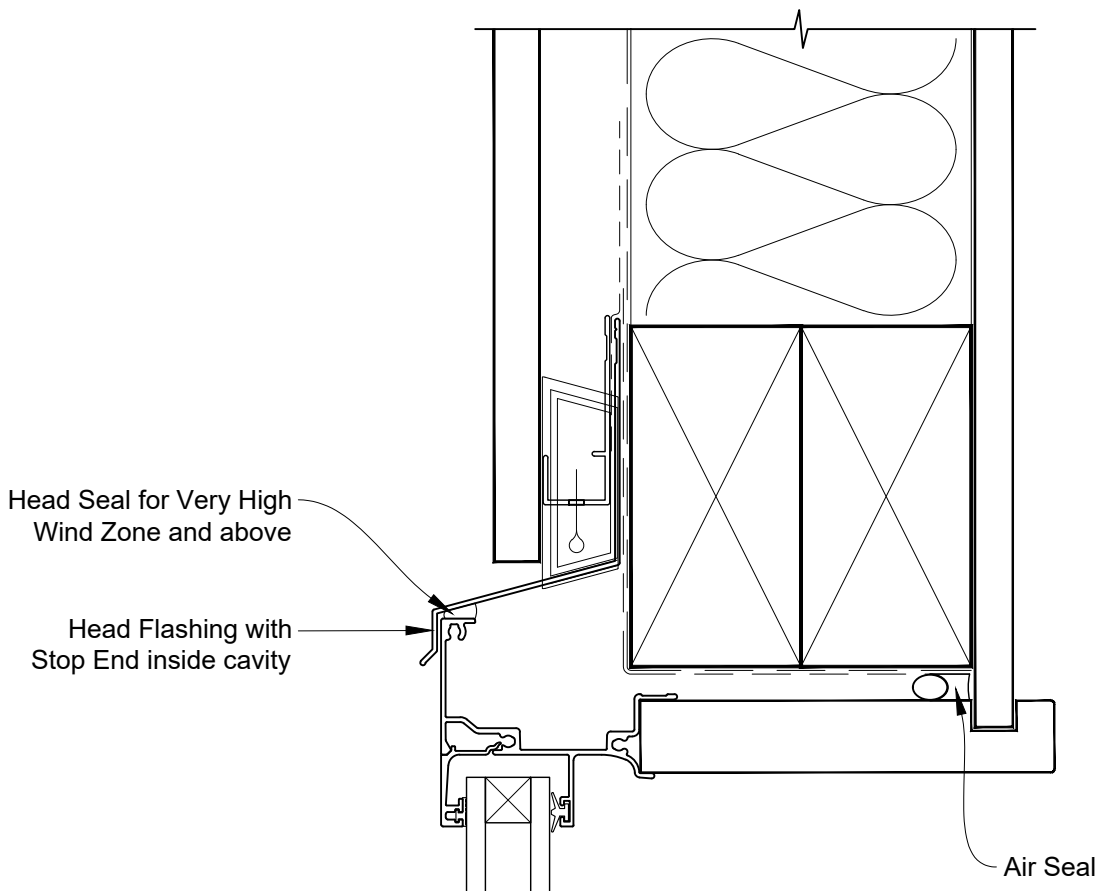


# INSTALLATION DETAIL - VANTAGE RESIDENTIAL AWNING WINDOW ON FLAT SHEET CAVITY CONSTRUCTION

Date: 01.04.19

Scale: 1:2

CAD Ref.: VRAWFS-CH



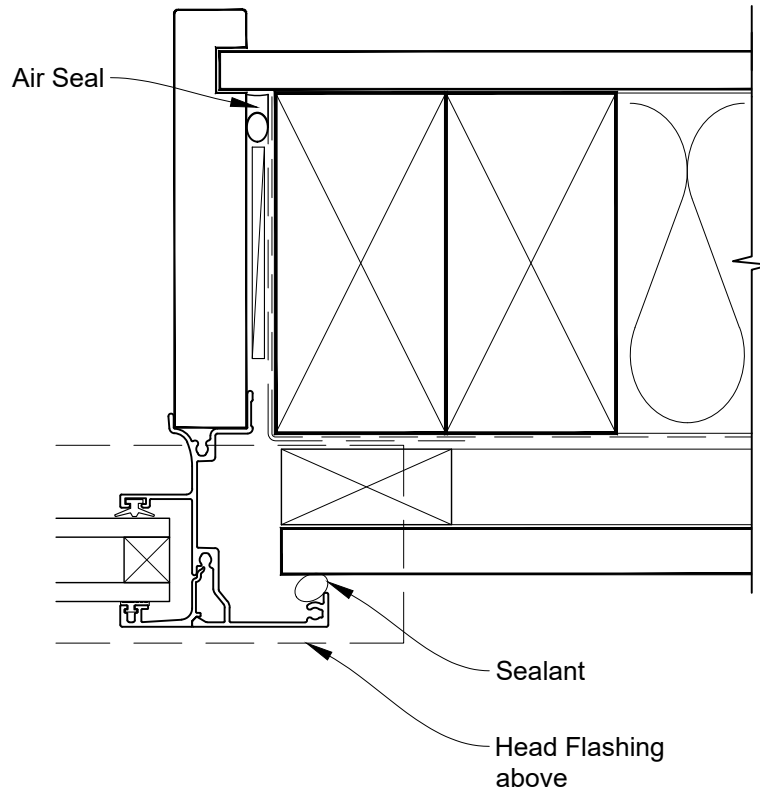


# INSTALLATION DETAIL - VANTAGE RESIDENTIAL AWNING WINDOW ON FLAT SHEET CAVITY CONSTRUCTION

Date: 01.04.19

Scale: 1:2

CAD Ref.: VRAWFS-CJ



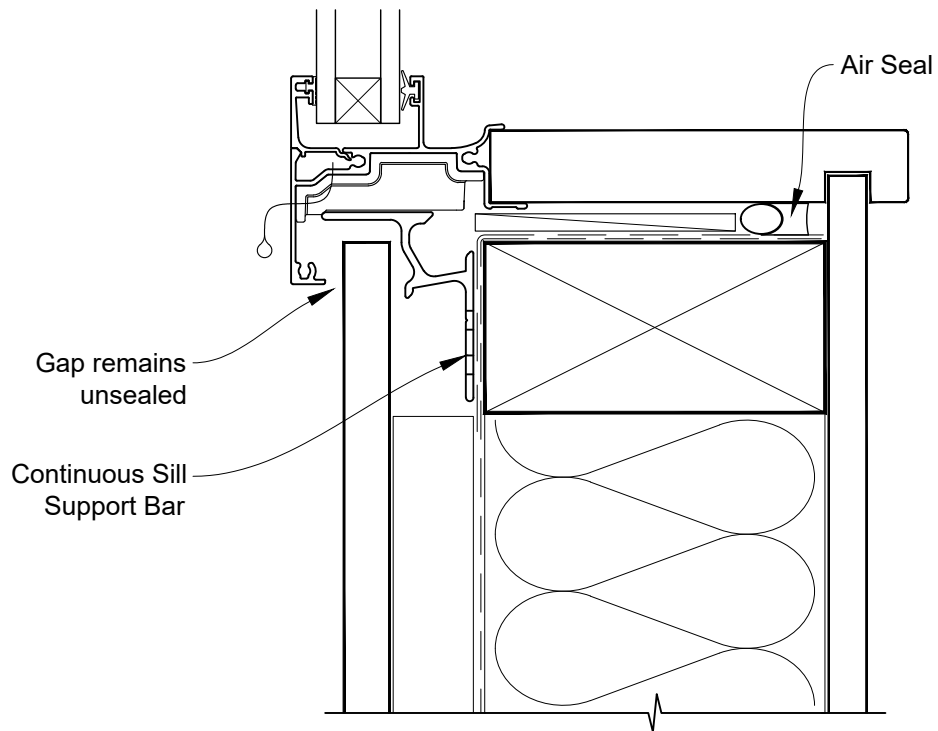


# INSTALLATION DETAIL - VANTAGE RESIDENTIAL AWNING WINDOW ON FLAT SHEET CAVITY CONSTRUCTION

Date: 01.04.19

Scale: 1:2

CAD Ref.: VRAWFS-CS



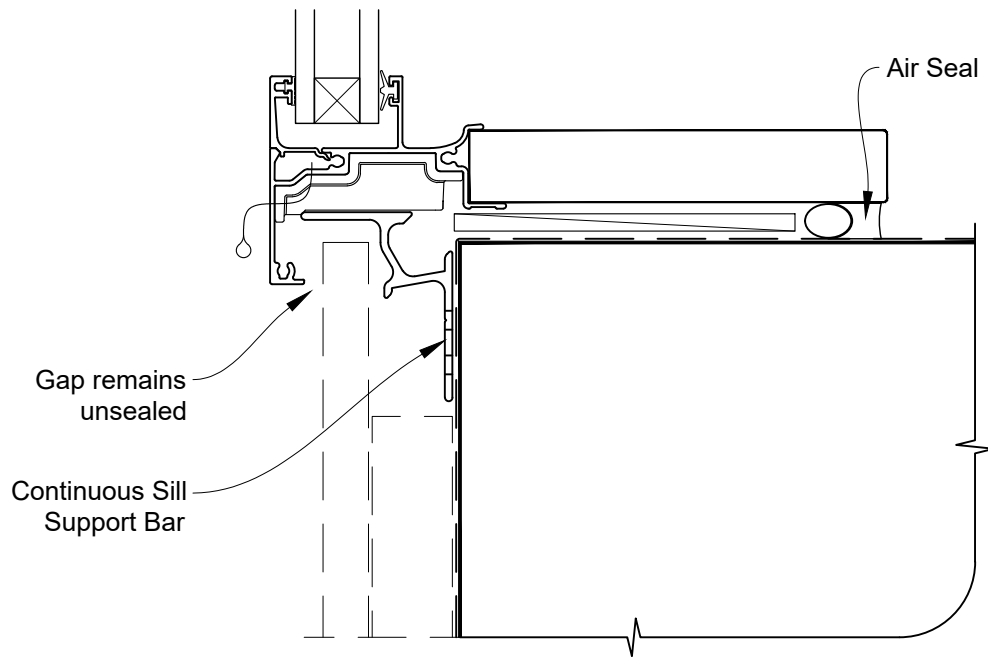


# INSTALLATION DETAIL - VANTAGE RESIDENTIAL AWNING WINDOW ON FLAT SHEET CAVITY CONSTRUCTION

Date: 01.04.19

Scale: 1:2

CAD Ref.: VRAWFS-CS2



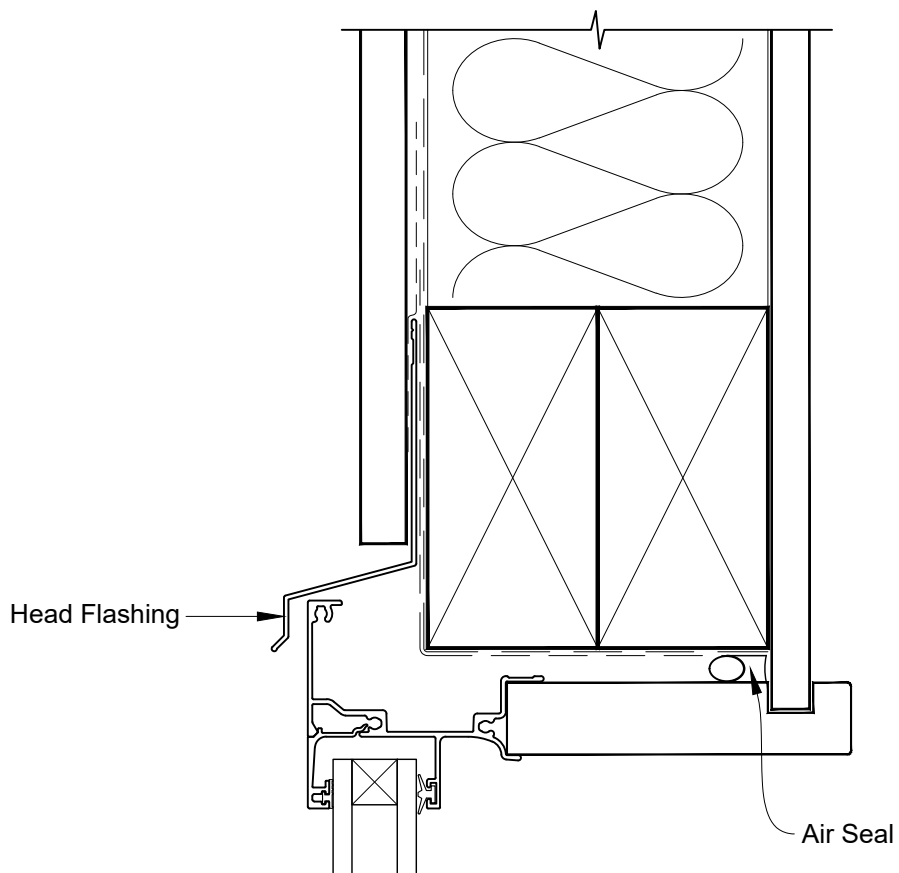


**INSTALLATION DETAIL - VANTAGE RESIDENTIAL  
AWNING WINDOW ON FLAT SHEET  
DIRECT FIXED CLADDING**

Date: 01.04.19

Scale: 1:2

CAD Ref.: VRAWFS-DH



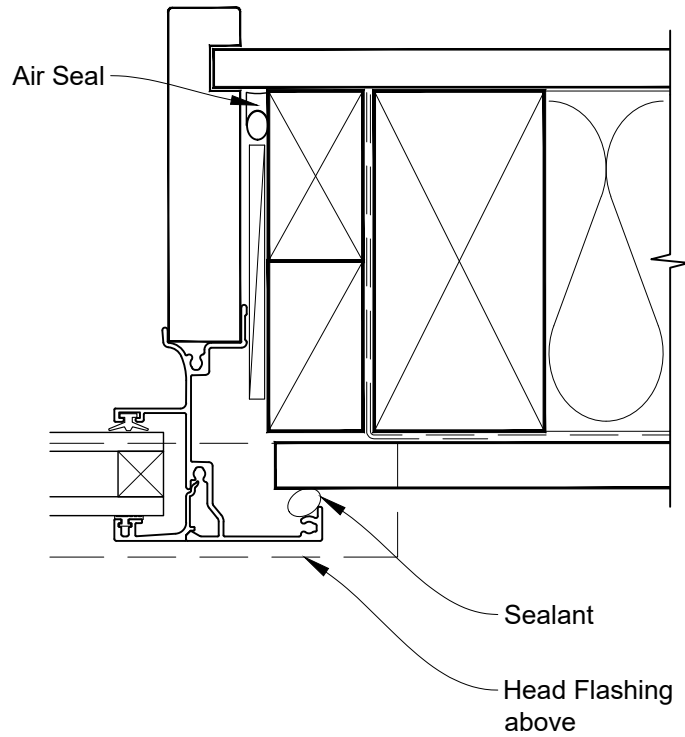


**INSTALLATION DETAIL - VANTAGE RESIDENTIAL  
AWNING WINDOW ON FLAT SHEET  
DIRECT FIXED CLADDING**

Date: 01.04.19

Scale: 1:2

CAD Ref.: VRAWFS-DJ



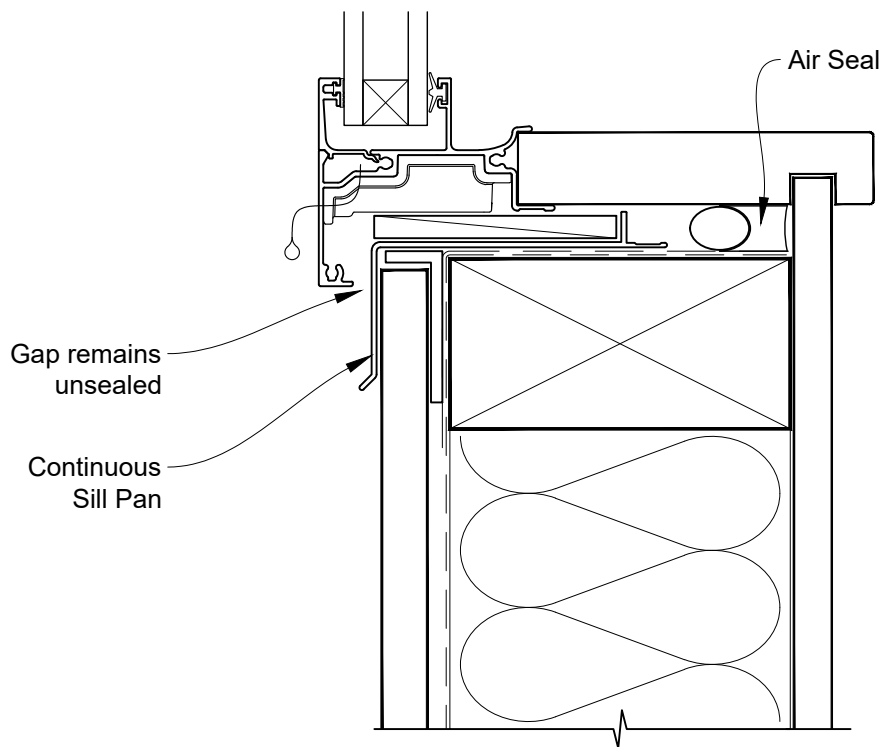


**INSTALLATION DETAIL - VANTAGE RESIDENTIAL  
AWNING WINDOW ON FLAT SHEET  
DIRECT FIXED CLADDING**

Date: 01.04.19

Scale: 1:2

CAD Ref.: VRAWFS-DS





**INSTALLATION DETAIL - VANTAGE RESIDENTIAL  
AWNING WINDOW ON FLAT SHEET  
DIRECT FIXED CLADDING**

Date: 01.04.19

Scale: 1:2

CAD Ref.: VRAWFS-DS2

