

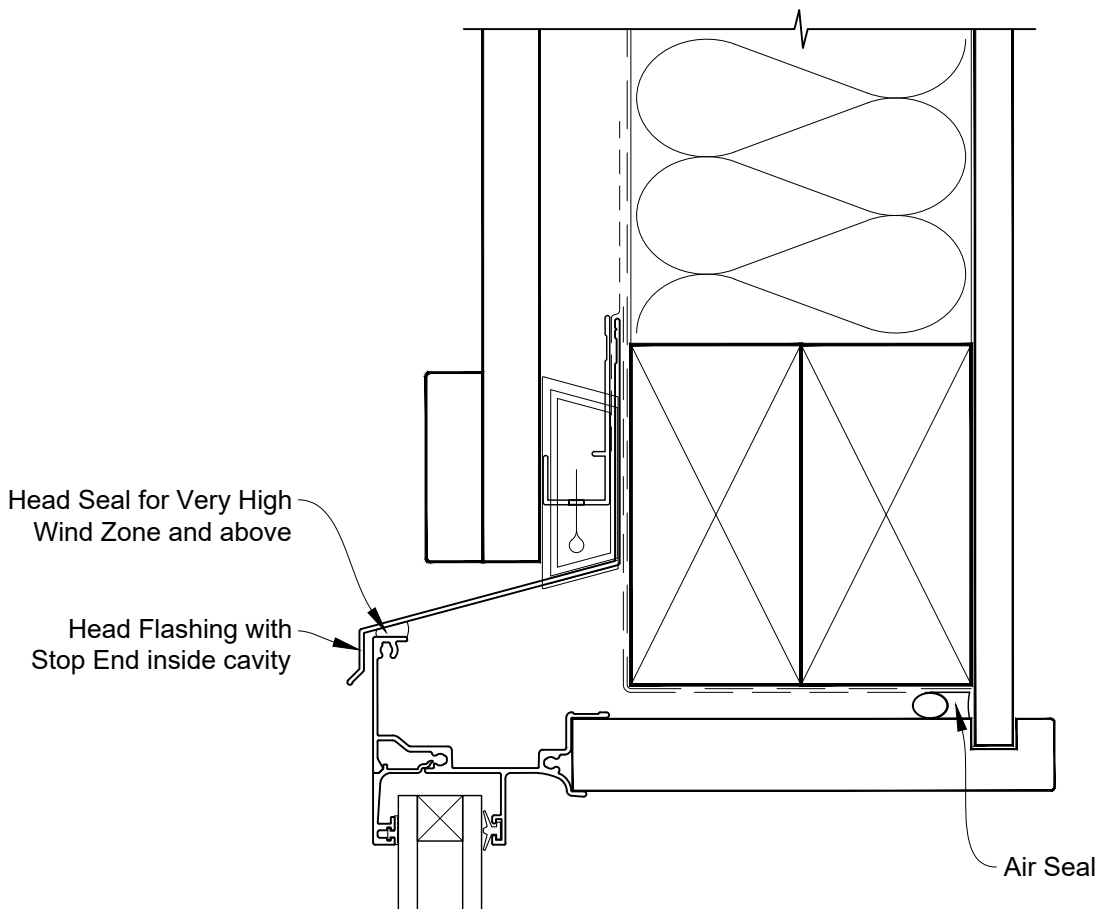


# INSTALLATION DETAIL - VANTAGE RESIDENTIAL AWNING WINDOW ON BOARD & BATTEN CAVITY CONSTRUCTION

Date: 01.04.19

Scale: 1:2

CAD Ref.: VRAWBB-CH



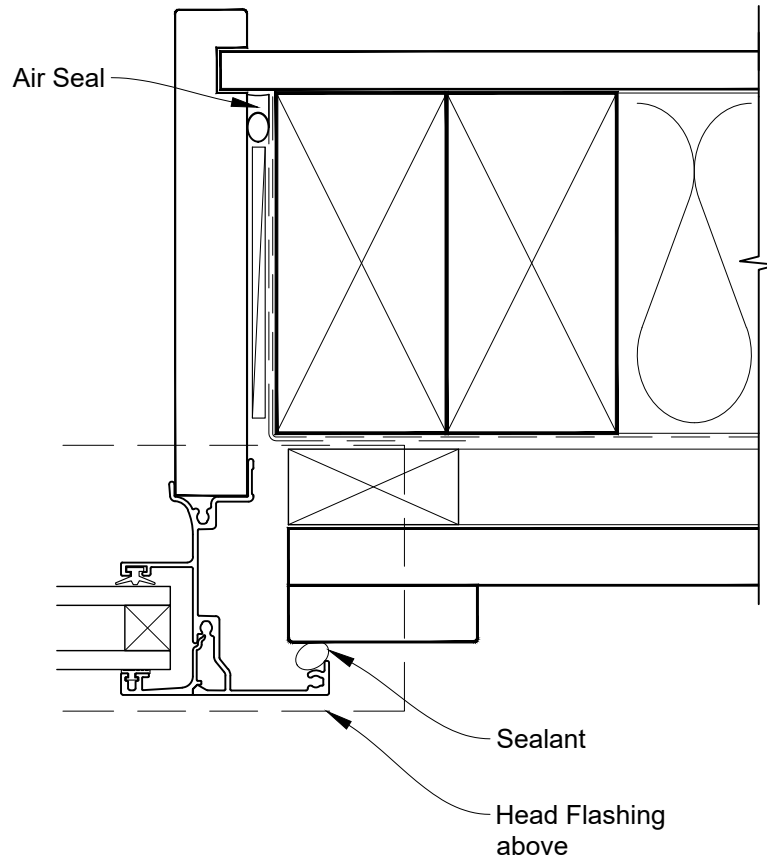


# INSTALLATION DETAIL - VANTAGE RESIDENTIAL AWNING WINDOW ON BOARD & BATTEN CAVITY CONSTRUCTION

Date: 01.04.19

Scale: 1:2

CAD Ref.: VRAWBB-CJ



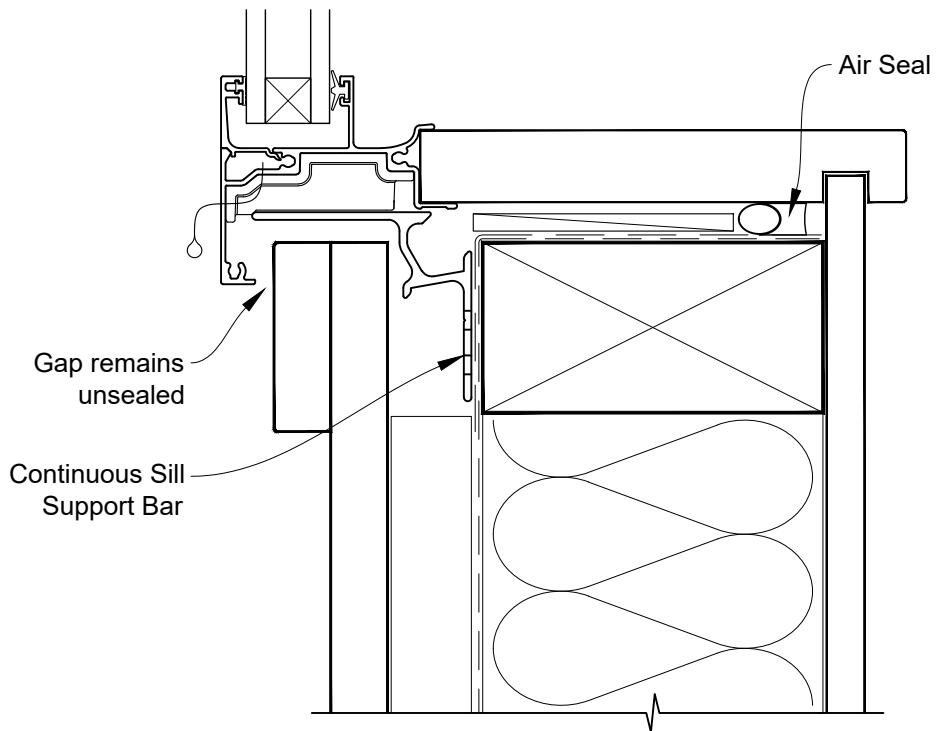


# INSTALLATION DETAIL - VANTAGE RESIDENTIAL AWNING WINDOW ON BOARD & BATTEN CAVITY CONSTRUCTION

Date: 01.04.19

Scale: 1:2

CAD Ref.: VRAWBB-CS



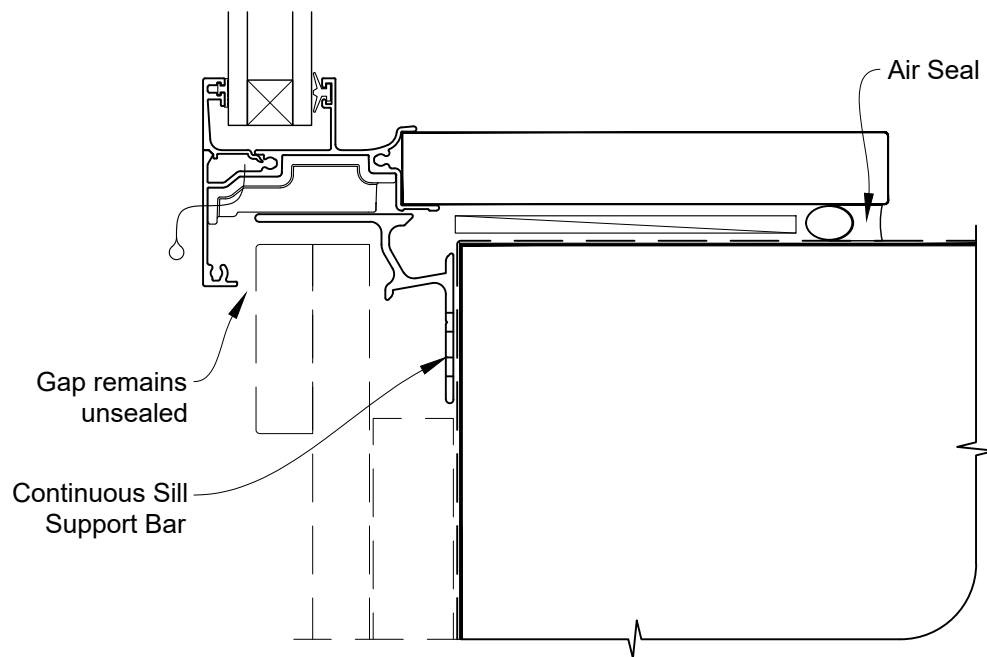


# INSTALLATION DETAIL - VANTAGE RESIDENTIAL AWNING WINDOW ON BOARD & BATTEN CAVITY CONSTRUCTION

Date: 01.04.19

Scale: 1:2

CAD Ref.: VRAWBB-CS2



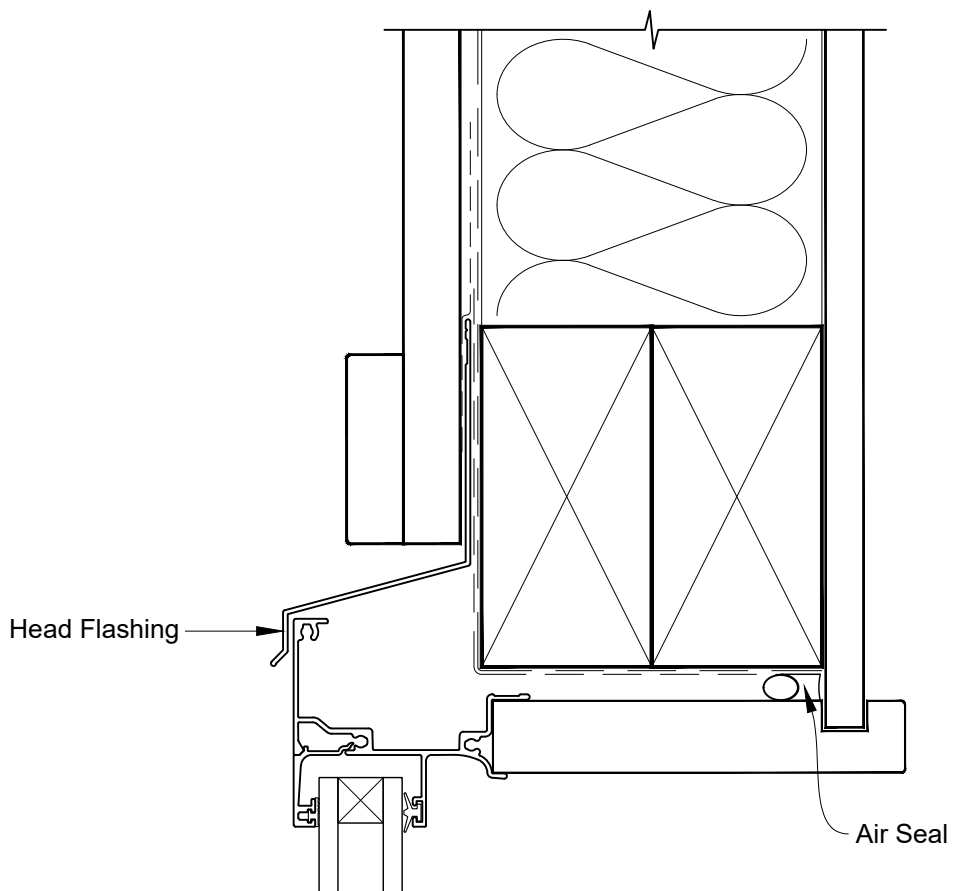


**INSTALLATION DETAIL - VANTAGE RESIDENTIAL  
AWNING WINDOW ON BOARD & BATTEN  
DIRECT FIXED CLADDING**

Date: 01.04.19

Scale: 1:2

CAD Ref.: VRAWBB-DH



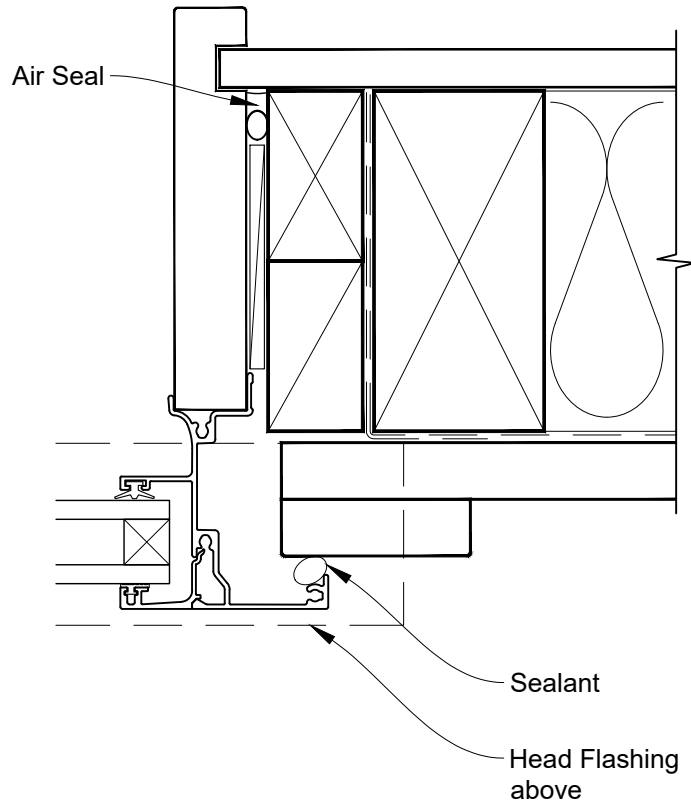


# INSTALLATION DETAIL - VANTAGE RESIDENTIAL AWNING WINDOW ON BOARD & BATTEN DIRECT FIXED CLADDING

Date: 01.04.19

Scale: 1:2

CAD Ref.: VRAWBB-DJ



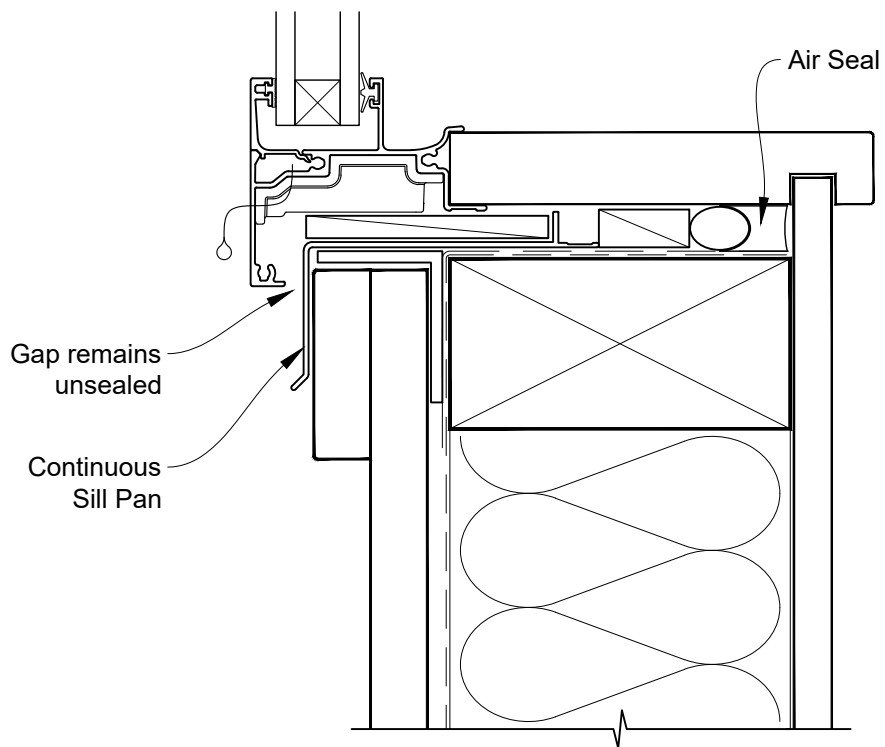


# INSTALLATION DETAIL - VANTAGE RESIDENTIAL AWNING WINDOW ON BOARD & BATTEN DIRECT FIXED CLADDING

Date: 01.04.19

Scale: 1:2

CAD Ref.: VRAWBB-DS





**INSTALLATION DETAIL - VANTAGE RESIDENTIAL  
AWNING WINDOW ON BOARD & BATTEN  
DIRECT FIXED CLADDING**

Date: 01.04.19

Scale: 1:2

CAD Ref.: VRAWBB-DS2

