

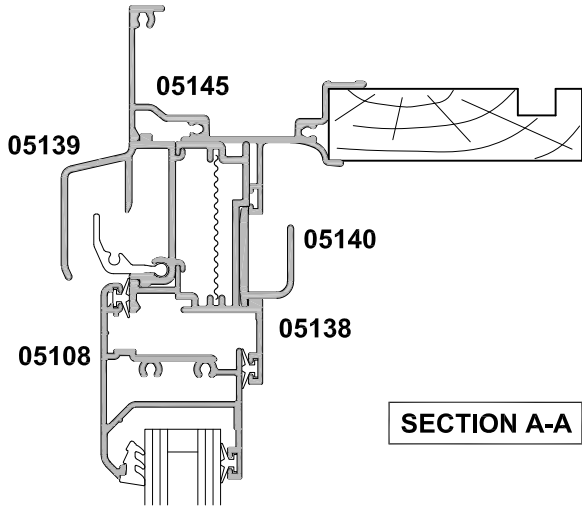


**AWNING WINDOW, DOUBLE GLAZED
VENTED SASH AND AEROVENT
CROSS SECTION**

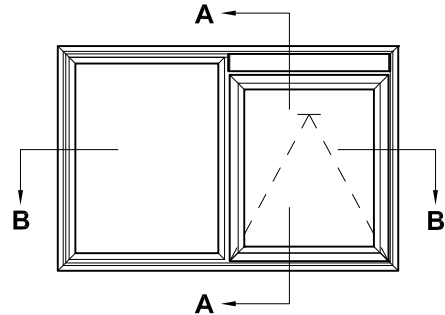
CAD REF. VAW02-0

DATE
01.04.19

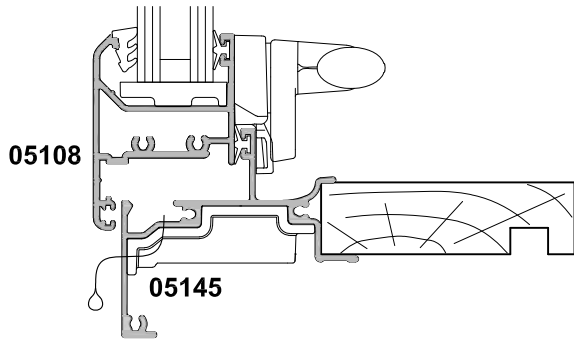
SCALE
1:2



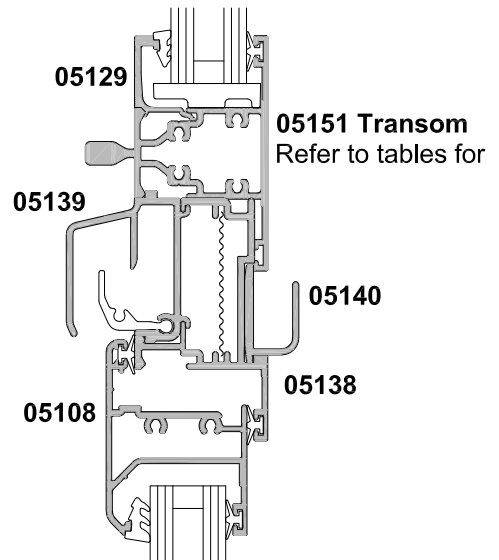
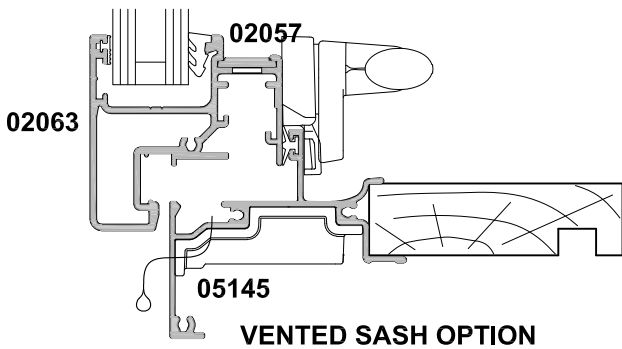
SECTION A-A



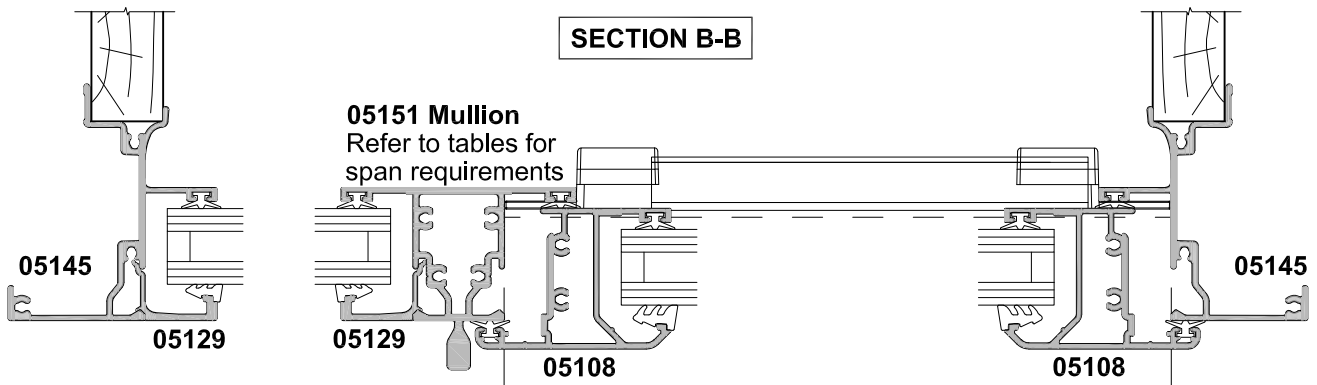
Due to clearance issues it is not recommended to have casement sashes below Aerovent.



VENTED SASH OPTION



AEROVENT AT TRANSOM OPTION



SECTION B-B