

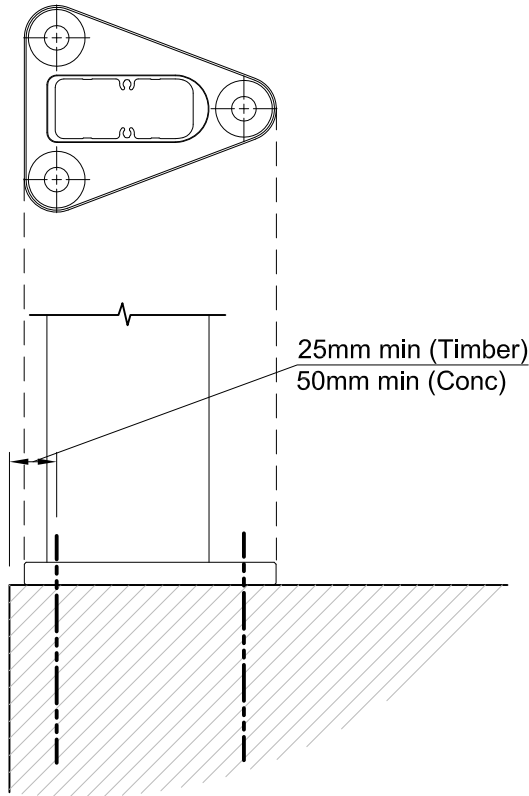


**PROFILE BALUSTRADE**  
**POST FOOTING OPTIONS**

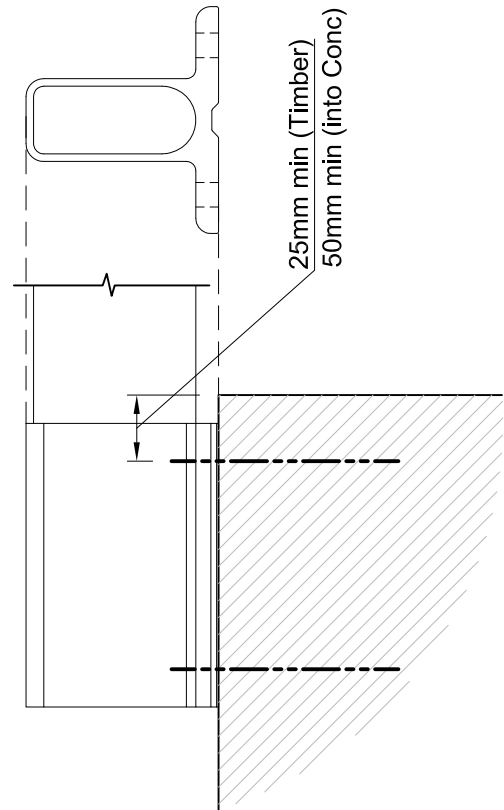
CAD REF. VPBA09-0

DATE  
 01.06.11

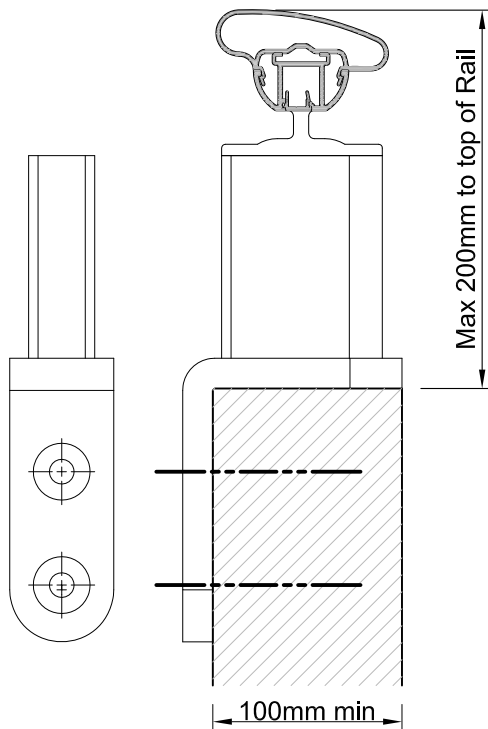
SCALE  
 1:4



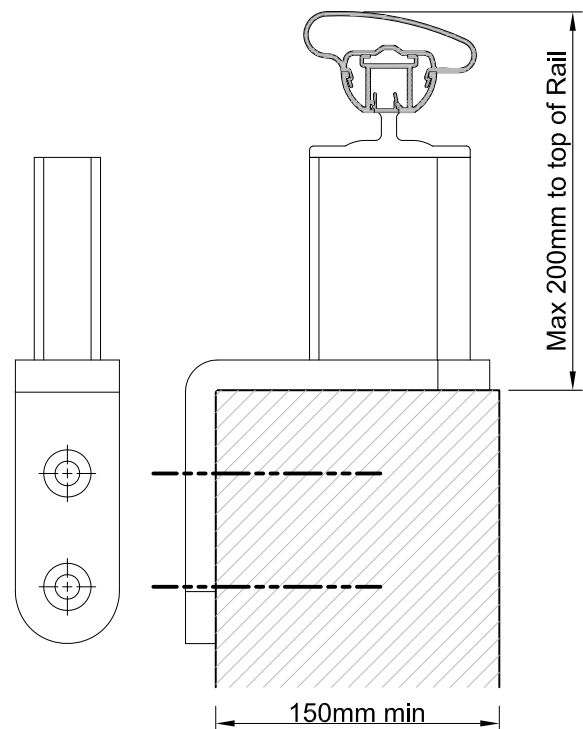
Standard Bracket (Supplied welded to Post)



**9100860** Face Fix Bracket



**9100874** Nib Wall Bracket



**9100870** Nib Wall Bracket