

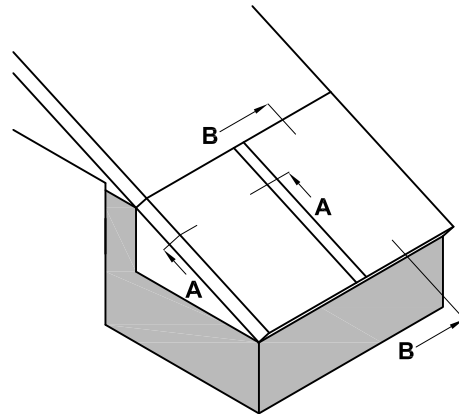


**GLAZING BARS, GABLE  
GLAZING LEAN-TO, SMALL FIN RAFTER  
CROSS SECTION**

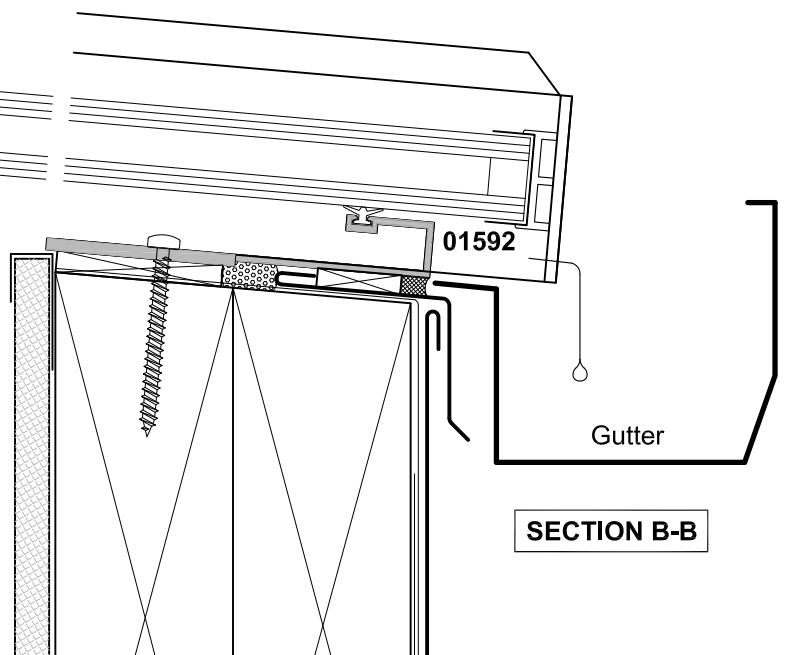
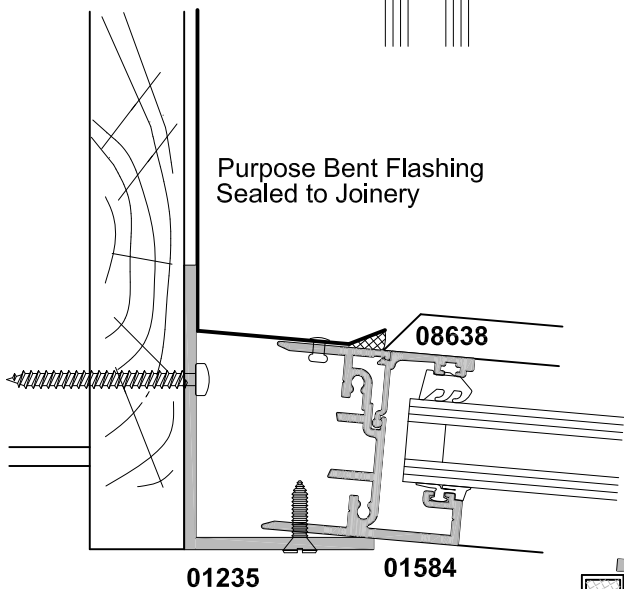
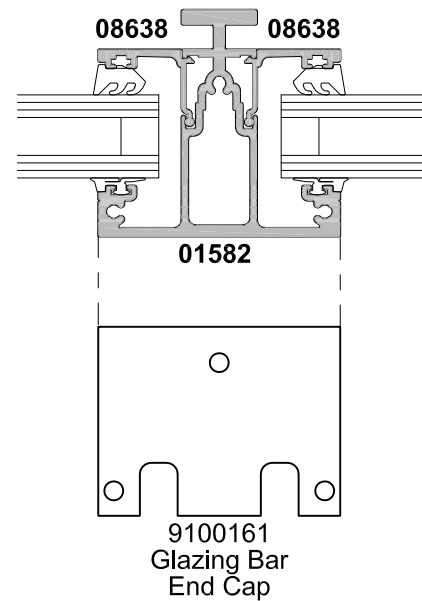
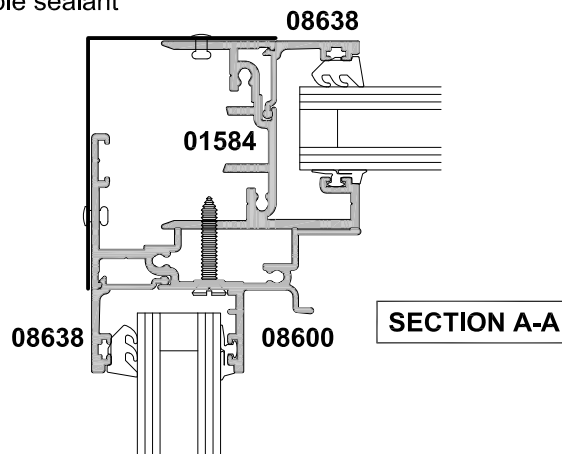
CAD REF. VCOG03-0

DATE  
01.06.11

SCALE  
1:2



Folded flashing on bed of suitable sealant



Note:  
A Minimum Pitch of 5° (Double Glazing) is required to allow water to run off the glass.