

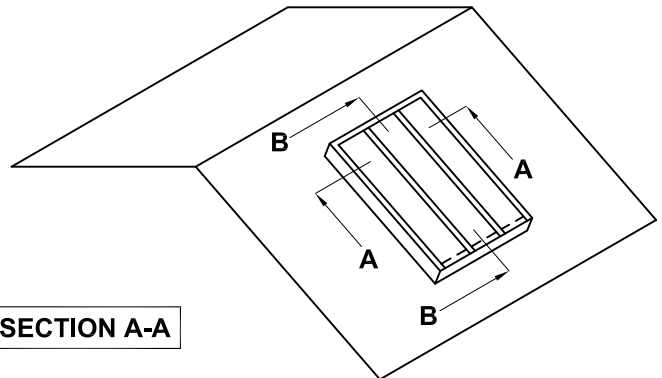


**GLAZING BARS
FIXED SKYLIGHT, SMALL FIN RAFTER
CROSS SECTION**

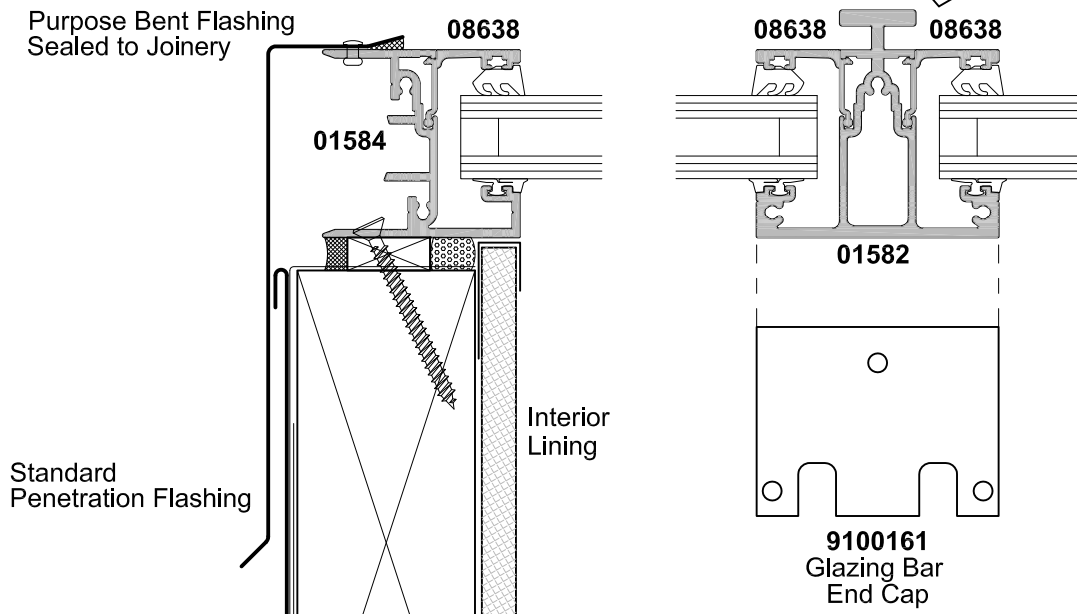
CAD REF. VCOG01-0

DATE
01.06.11

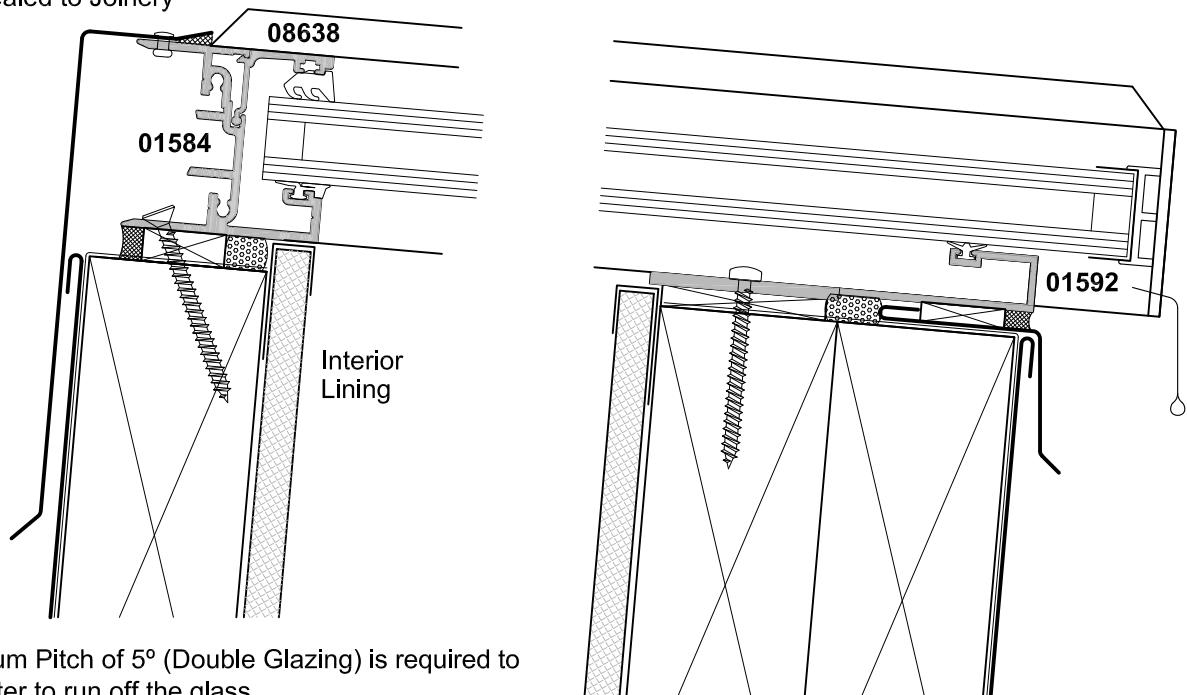
SCALE
1:2



SECTION A-A



SECTION B-B



Note:
A Minimum Pitch of 5° (Double Glazing) is required to allow water to run off the glass.