

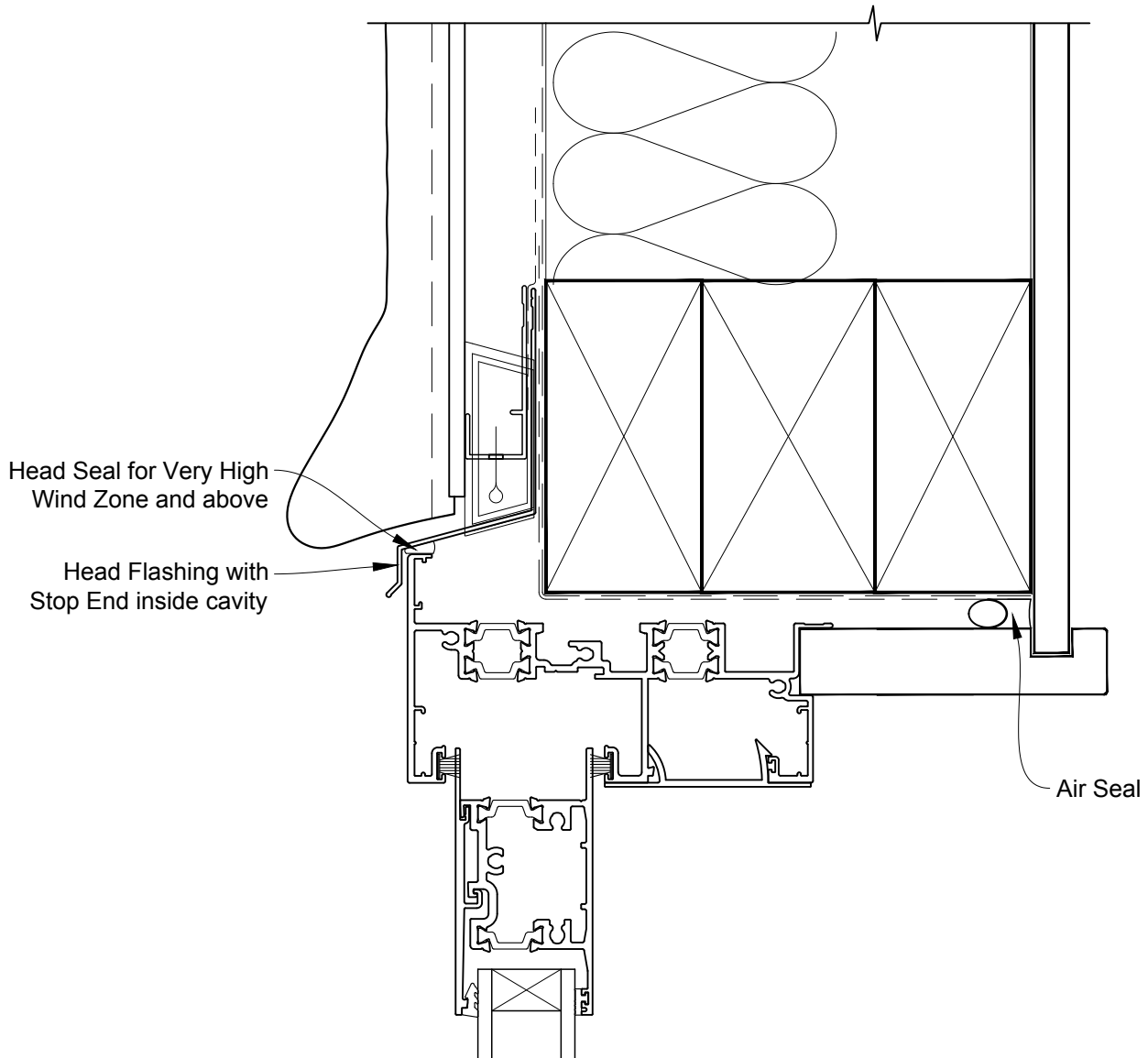


INSTALLATION DETAIL - METRO THERMAL HEART SLIDING WINDOW ON STUCCO CAVITY CONSTRUCTION

Date: 01.09.16

Scale: 1:2

CAD Ref.: MTSWST-CH



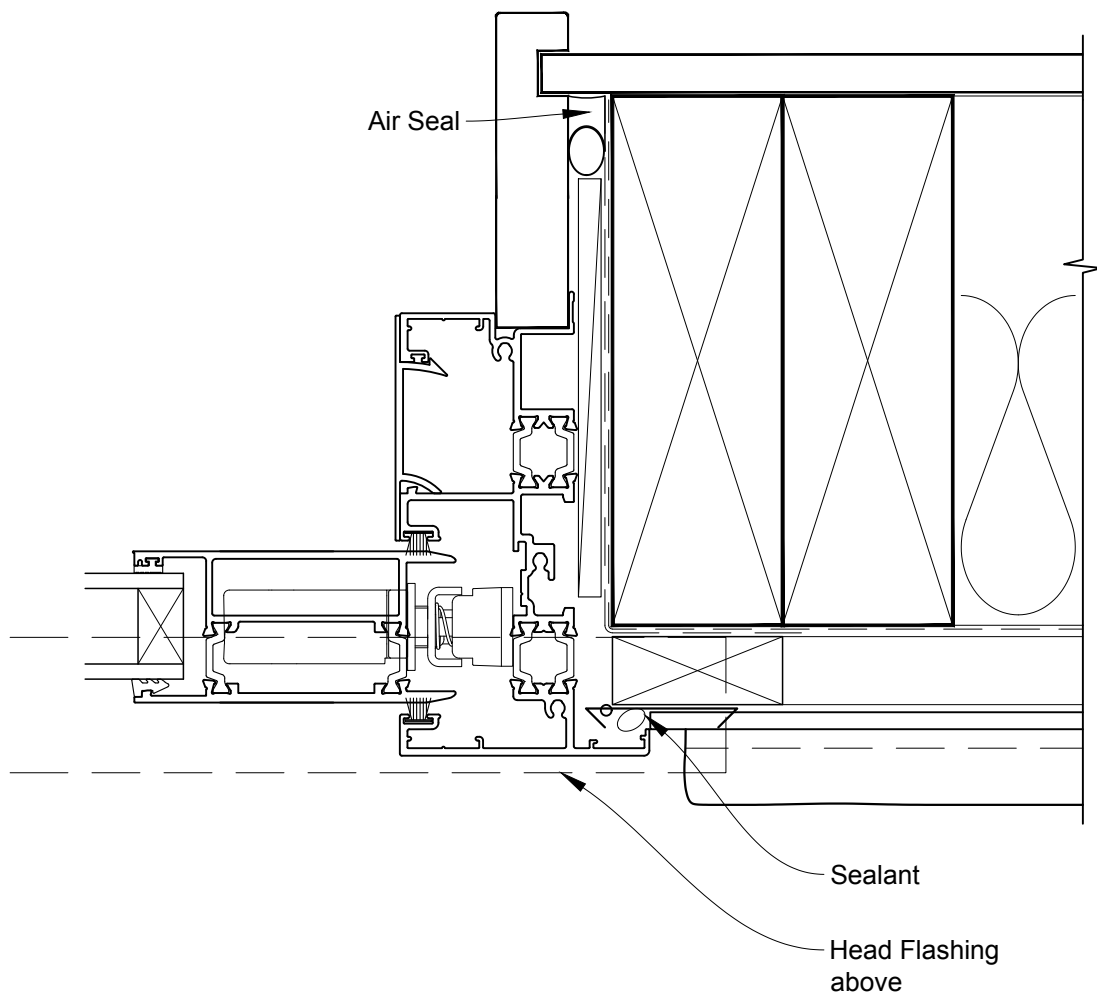


INSTALLATION DETAIL - METRO THERMAL HEART SLIDING WINDOW ON STUCCO CAVITY CONSTRUCTION

Date: 01.09.16

Scale: 1:2

CAD Ref.: MTSWST-CJ



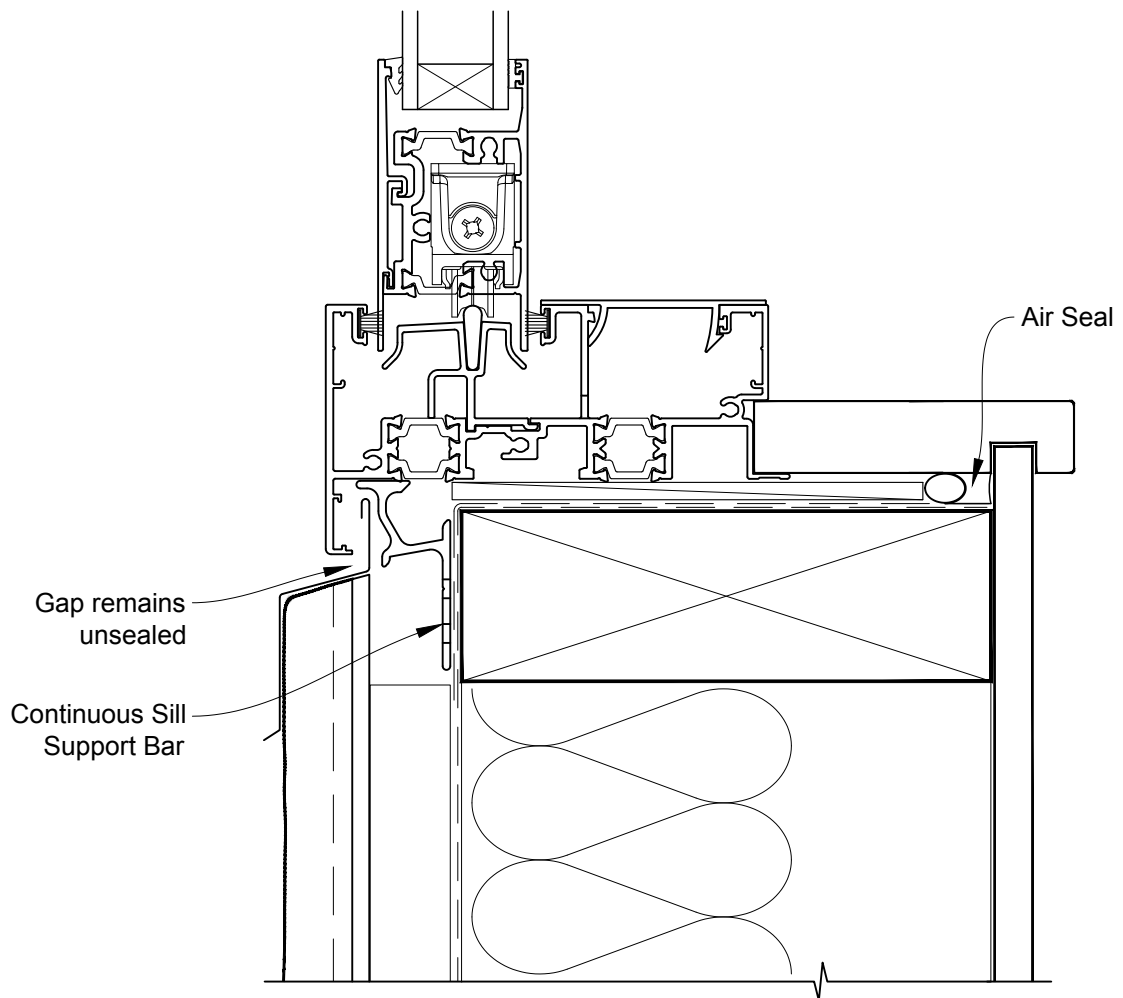


INSTALLATION DETAIL - METRO THERMAL HEART SLIDING WINDOW ON STUCCO CAVITY CONSTRUCTION

Date: 01.09.16

Scale: 1:2

CAD Ref.: MTSWST-CS





INSTALLATION DETAIL - METRO THERMAL HEART SLIDING WINDOW ON STUCCO CAVITY CONSTRUCTION

Date: 01.09.16

Scale: 1:2

CAD Ref.: MTSWST-CS2

