

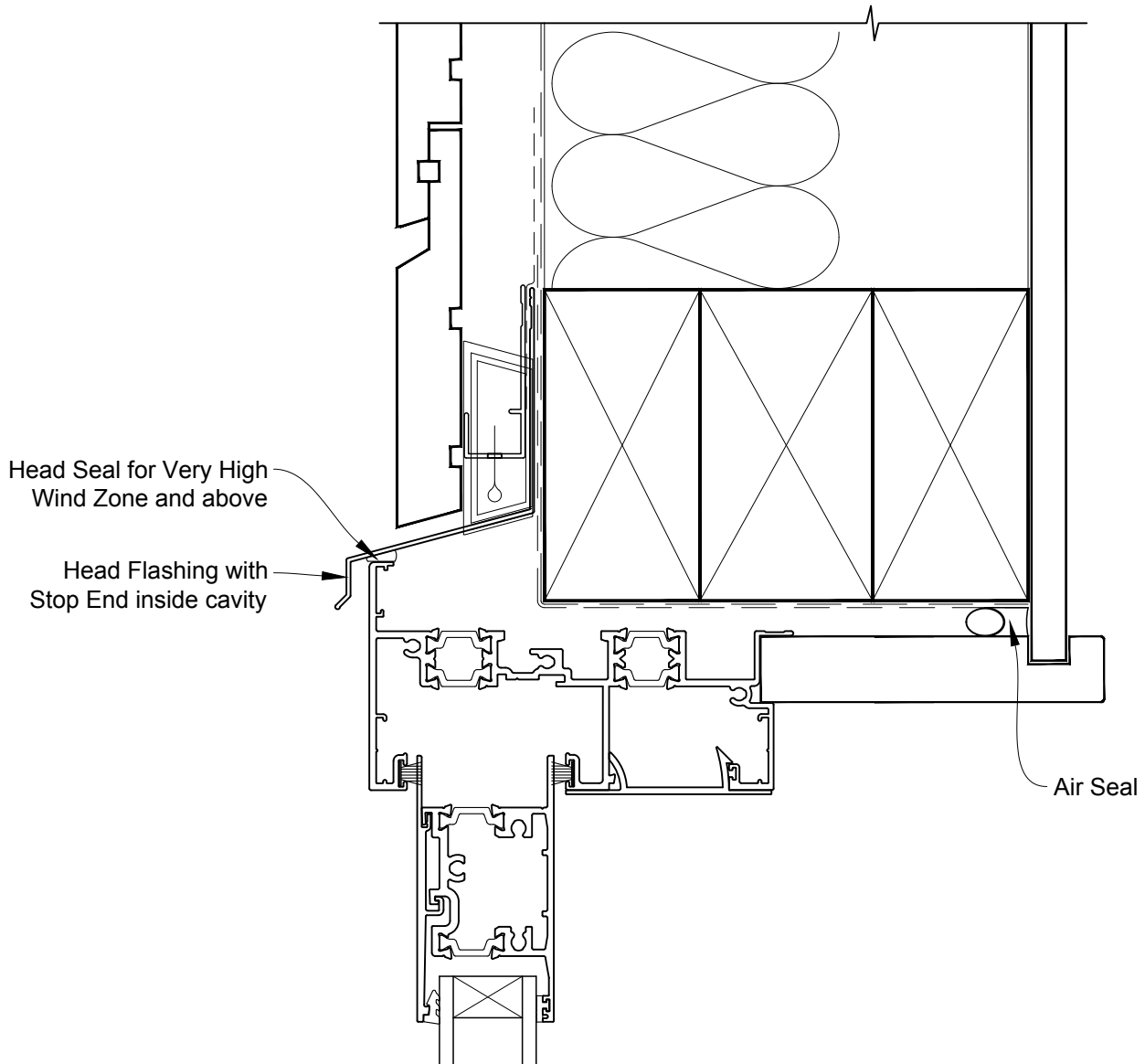


INSTALLATION DETAIL - METRO THERMAL HEART SLIDING WINDOW ON RUSTICATED WEATHERBOARD CAVITY CONSTRUCTION

Date: 01.09.16

Scale: 1:2

CAD Ref.: MTSWRW-CH



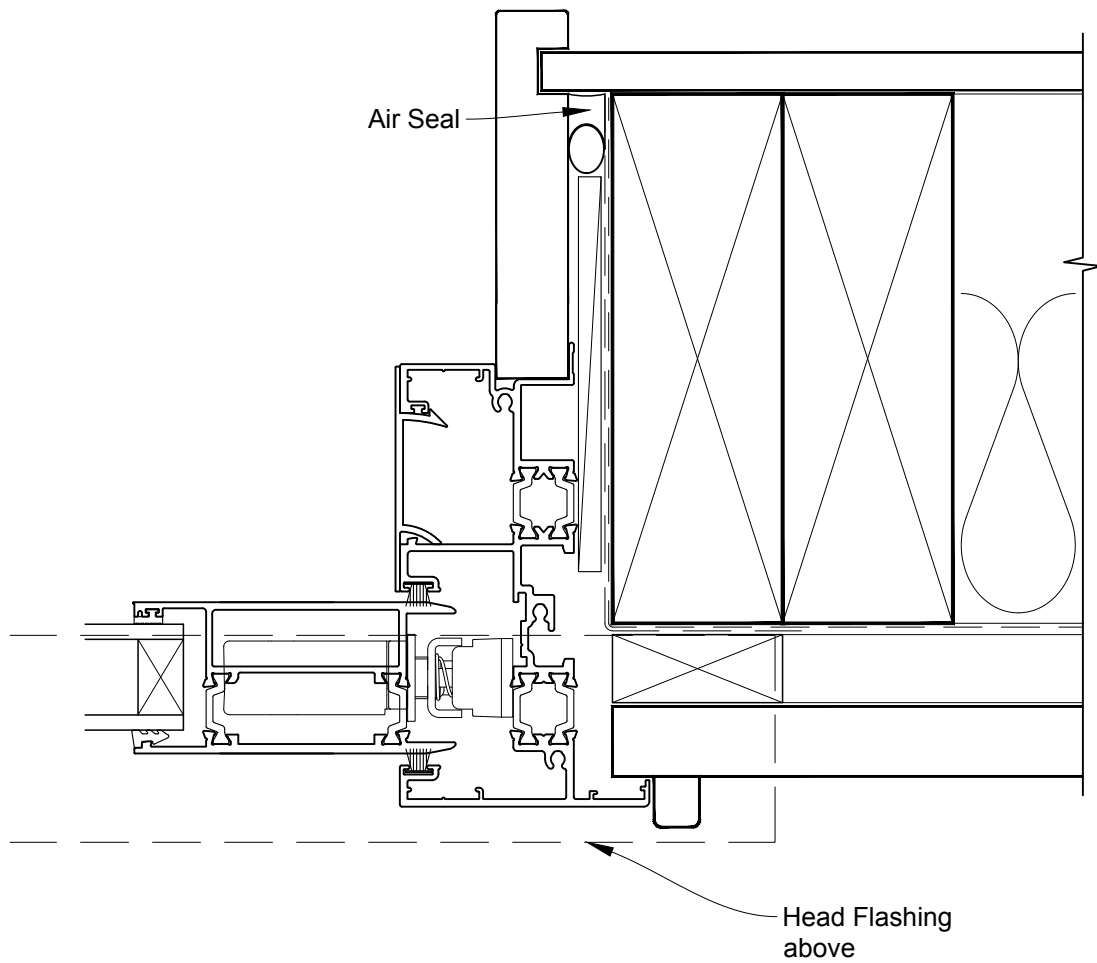


INSTALLATION DETAIL - METRO THERMAL HEART SLIDING WINDOW ON RUSTICATED WEATHERBOARD CAVITY CONSTRUCTION

Date: 01.09.16

Scale: 1:2

CAD Ref.: MTSWRW-CJ



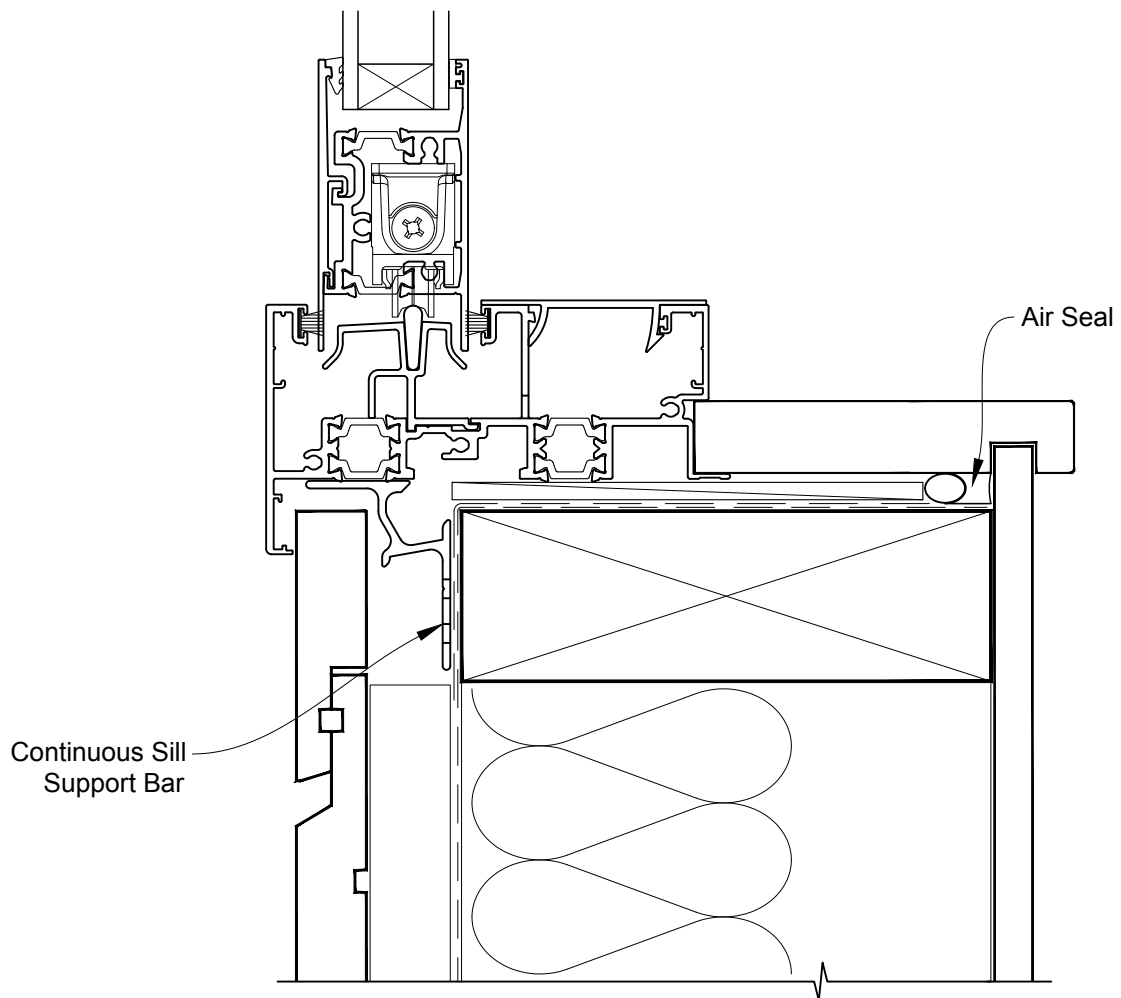


INSTALLATION DETAIL - METRO THERMAL HEART SLIDING WINDOW ON RUSTICATED WEATHERBOARD CAVITY CONSTRUCTION

Date: 01.09.16

Scale: 1:2

CAD Ref.: MTSWRW-CS



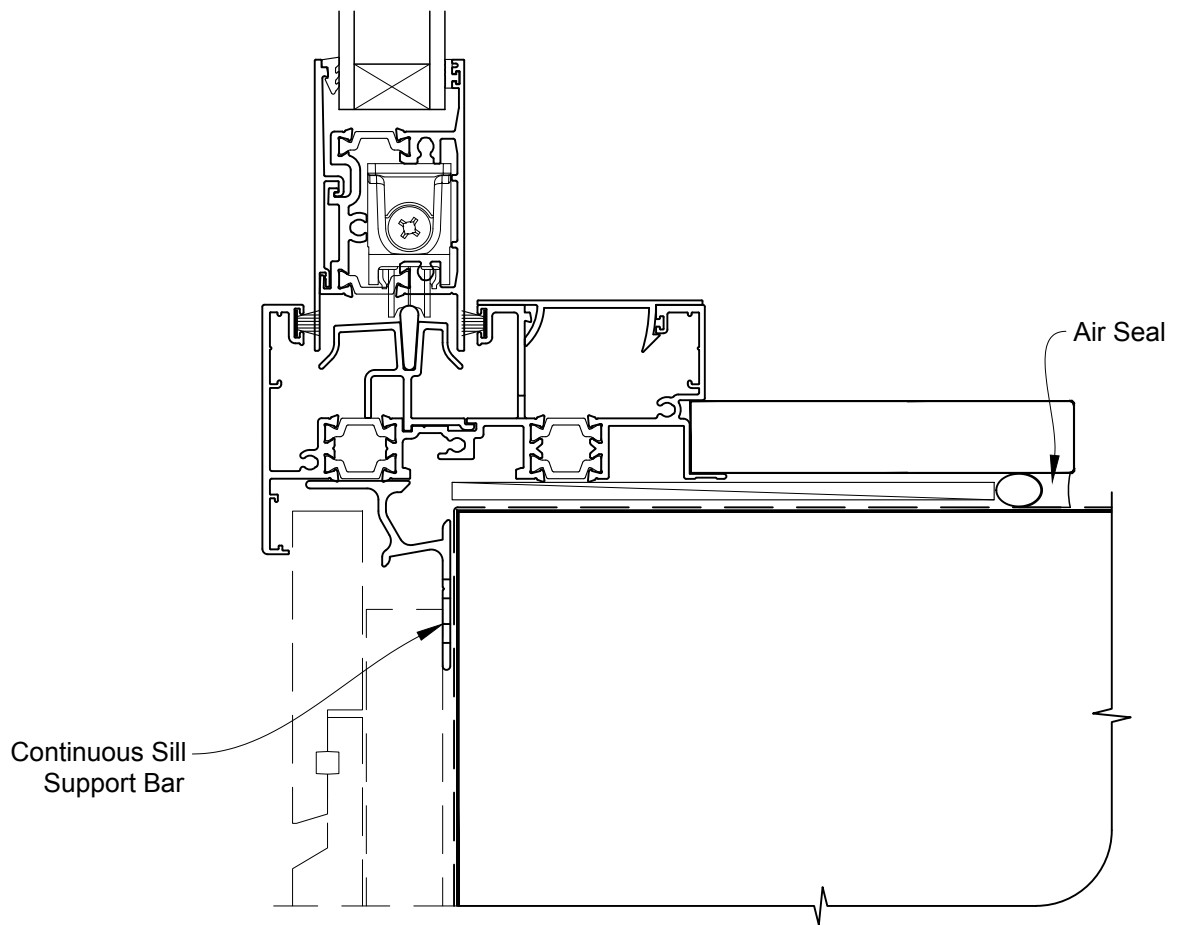


INSTALLATION DETAIL - METRO THERMAL HEART SLIDING WINDOW ON RUSTICATED WEATHERBOARD CAVITY CONSTRUCTION

Date: 01.09.16

Scale: 1:2

CAD Ref.: MTSWRW-CS2



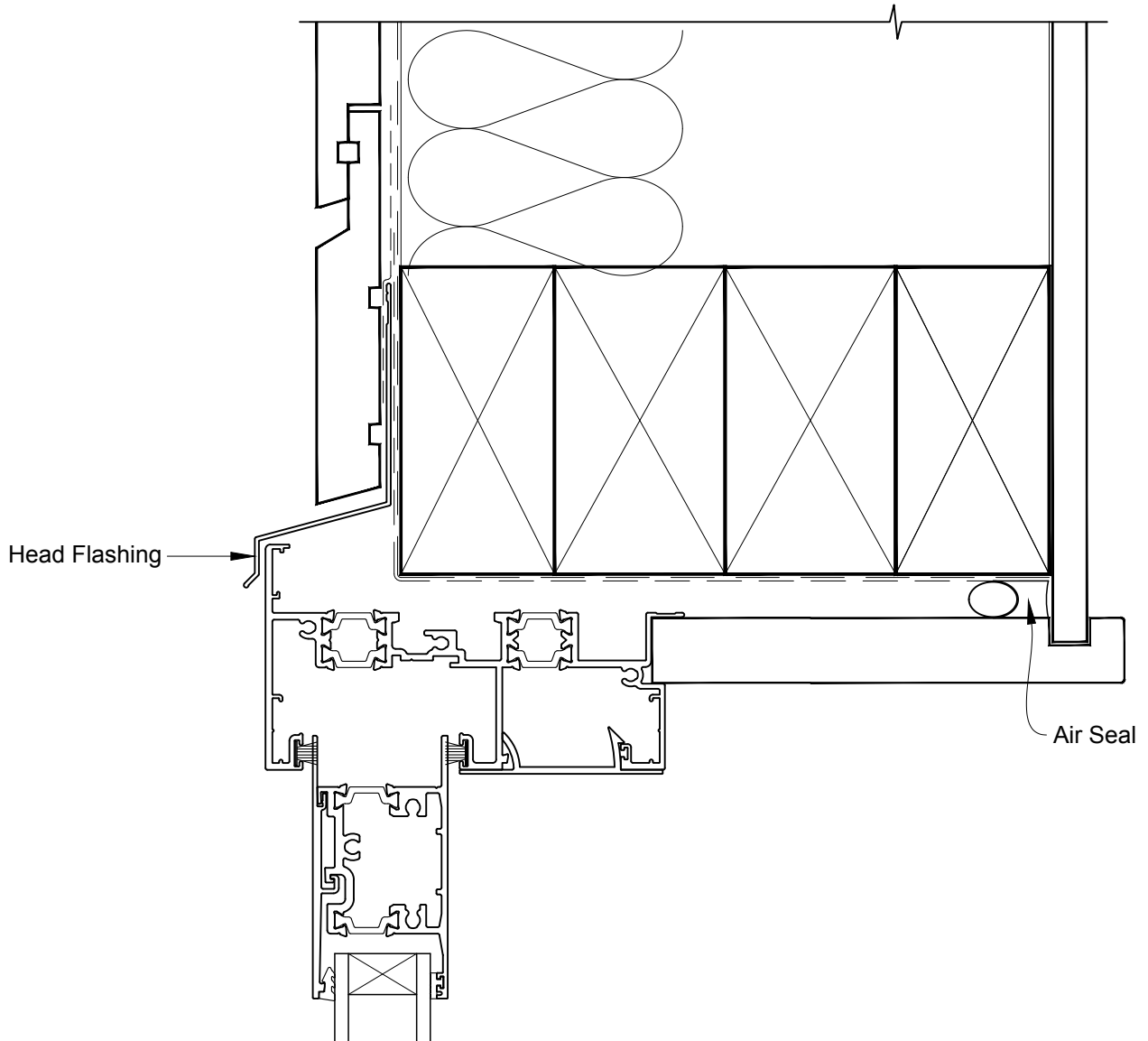


INSTALLATION DETAIL - METRO THERMAL HEART SLIDING WINDOW ON RUSTICATED WEATHERBOARD DIRECT FIXED CLADDING

Date: 01.09.16

Scale: 1:2

CAD Ref.: MTSWRW-DH



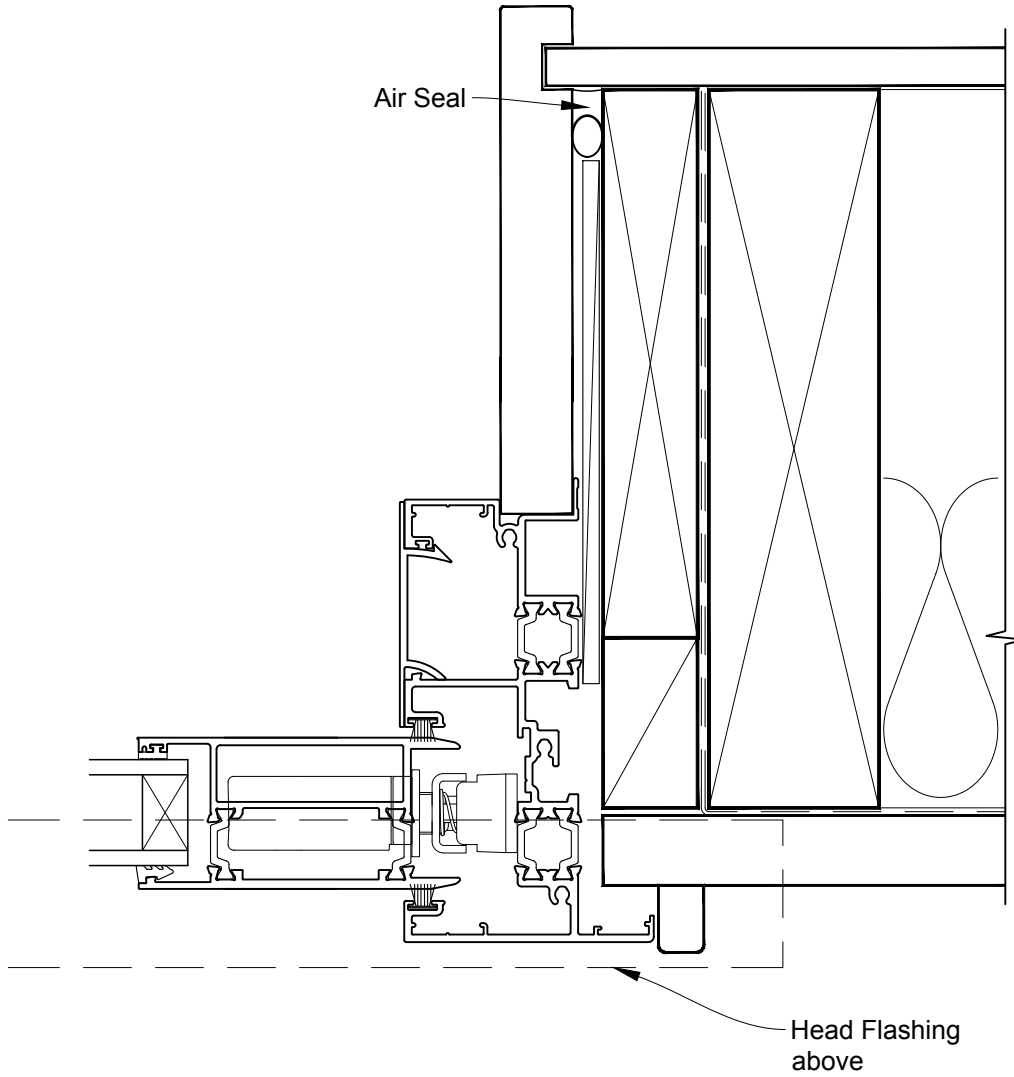


INSTALLATION DETAIL - METRO THERMAL HEART SLIDING WINDOW ON RUSTICATED WEATHERBOARD DIRECT FIXED CLADDING

Date: 01.09.16

Scale: 1:2

CAD Ref.: MTSWRW-DJ



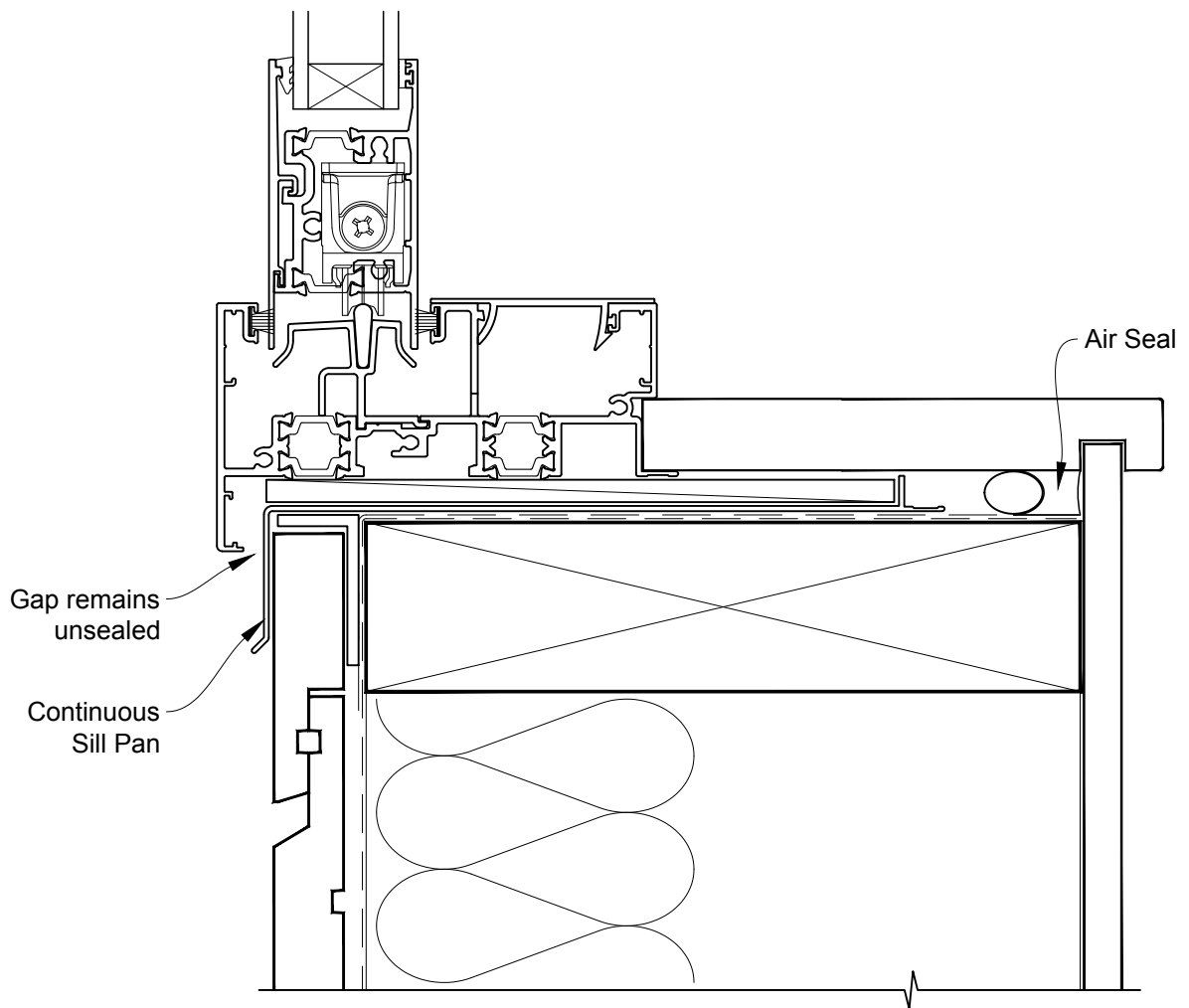


INSTALLATION DETAIL - METRO THERMAL HEART SLIDING WINDOW ON RUSTICATED WEATHERBOARD DIRECT FIXED CLADDING

Date: 01.09.16

Scale: 1:2

CAD Ref.: MTSWRW-DS





INSTALLATION DETAIL - METRO THERMAL HEART SLIDING WINDOW ON RUSTICATED WEATHERBOARD DIRECT FIXED CLADDING

Date: 01.09.16

Scale: 1:2

CAD Ref.: MTSWRW-DS2

