

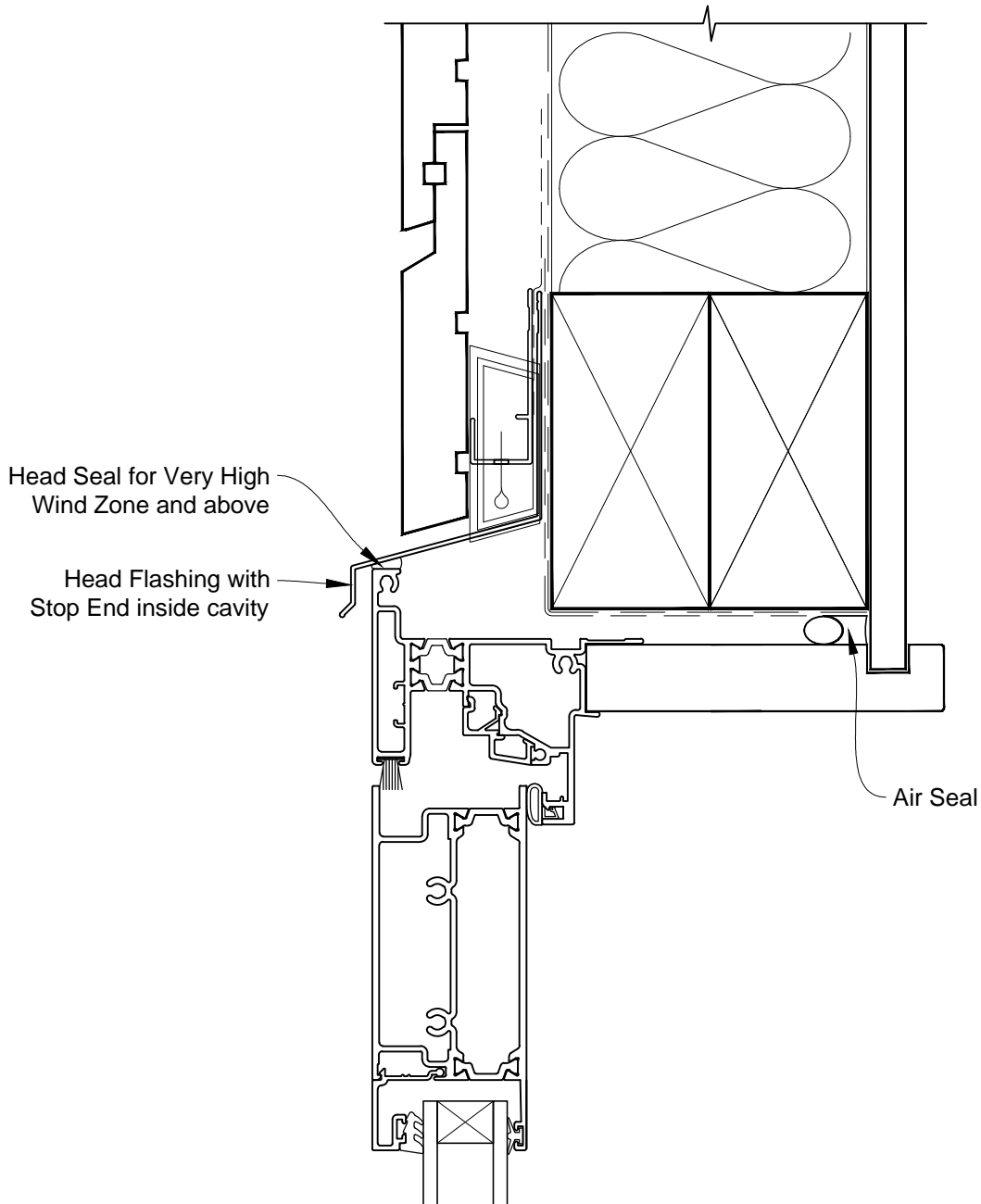


INSTALLATION DETAIL - METRO THERMAL HEART BIFOLD DOOR OPEN OUT ON RUSTICATED WEATHERBOARD CAVITY CONSTRUCTION

Date: 01.03.14

Scale: 1:2

CAD Ref.: MTBORW-CH



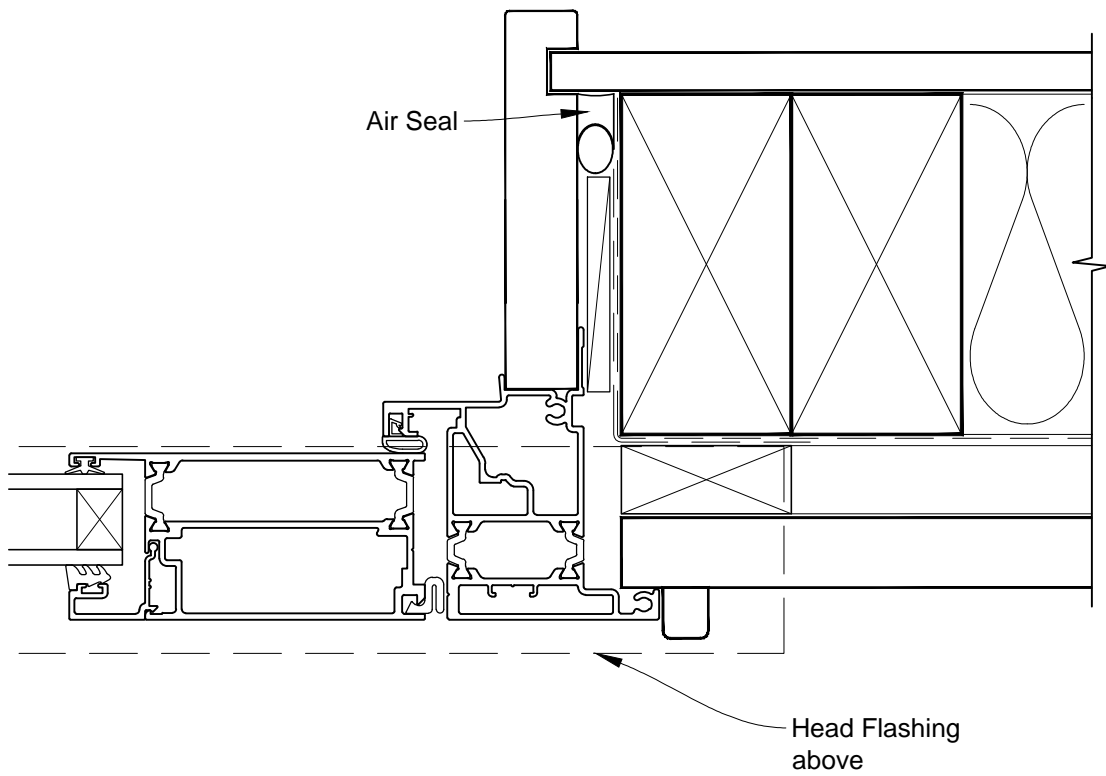


INSTALLATION DETAIL - METRO THERMAL HEART BIFOLD DOOR OPEN OUT ON RUSTICATED WEATHERBOARD CAVITY CONSTRUCTION

Date: 01.03.14

Scale: 1:2

CAD Ref.: MTBORW-CJ



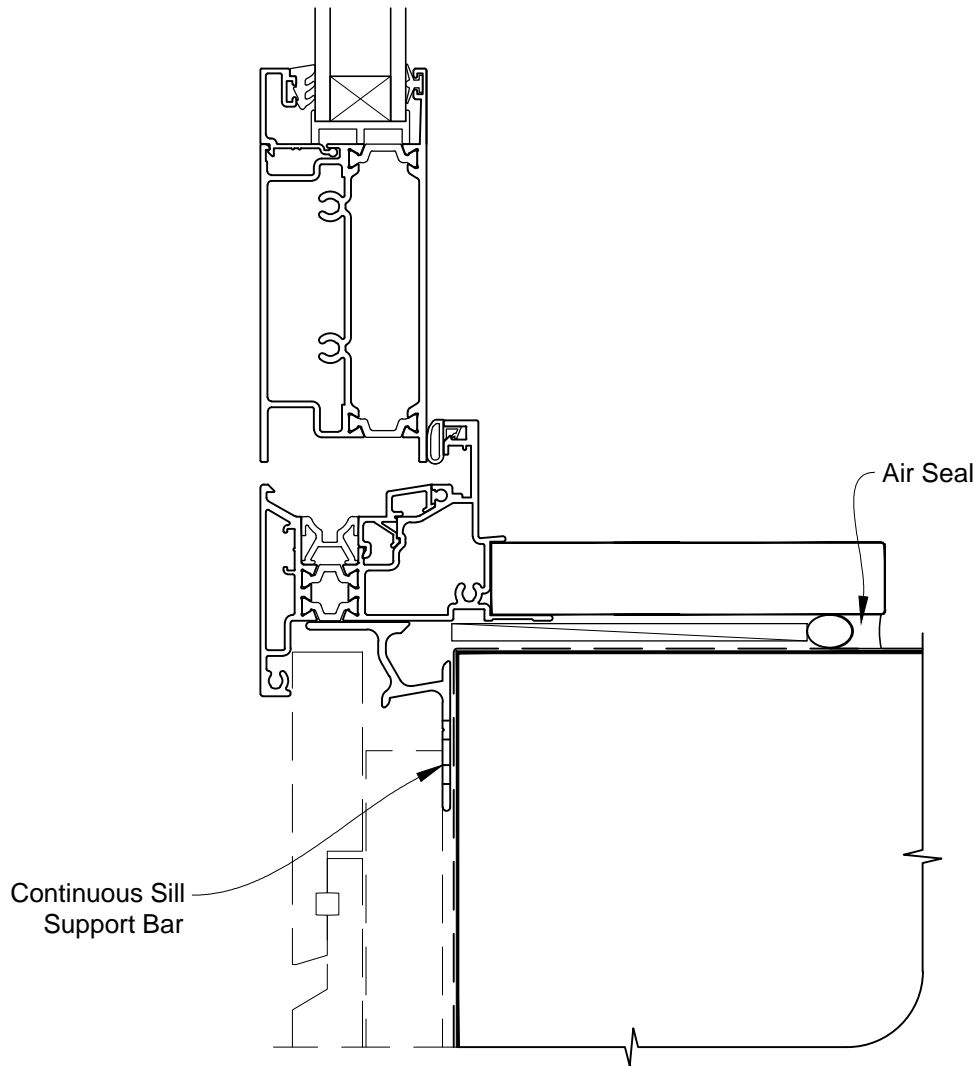


INSTALLATION DETAIL - METRO THERMAL HEART BIFOLD DOOR OPEN OUT ON RUSTICATED WEATHERBOARD CAVITY CONSTRUCTION

Date: 01.03.14

Scale: 1:2

CAD Ref.: MTBORW-CS



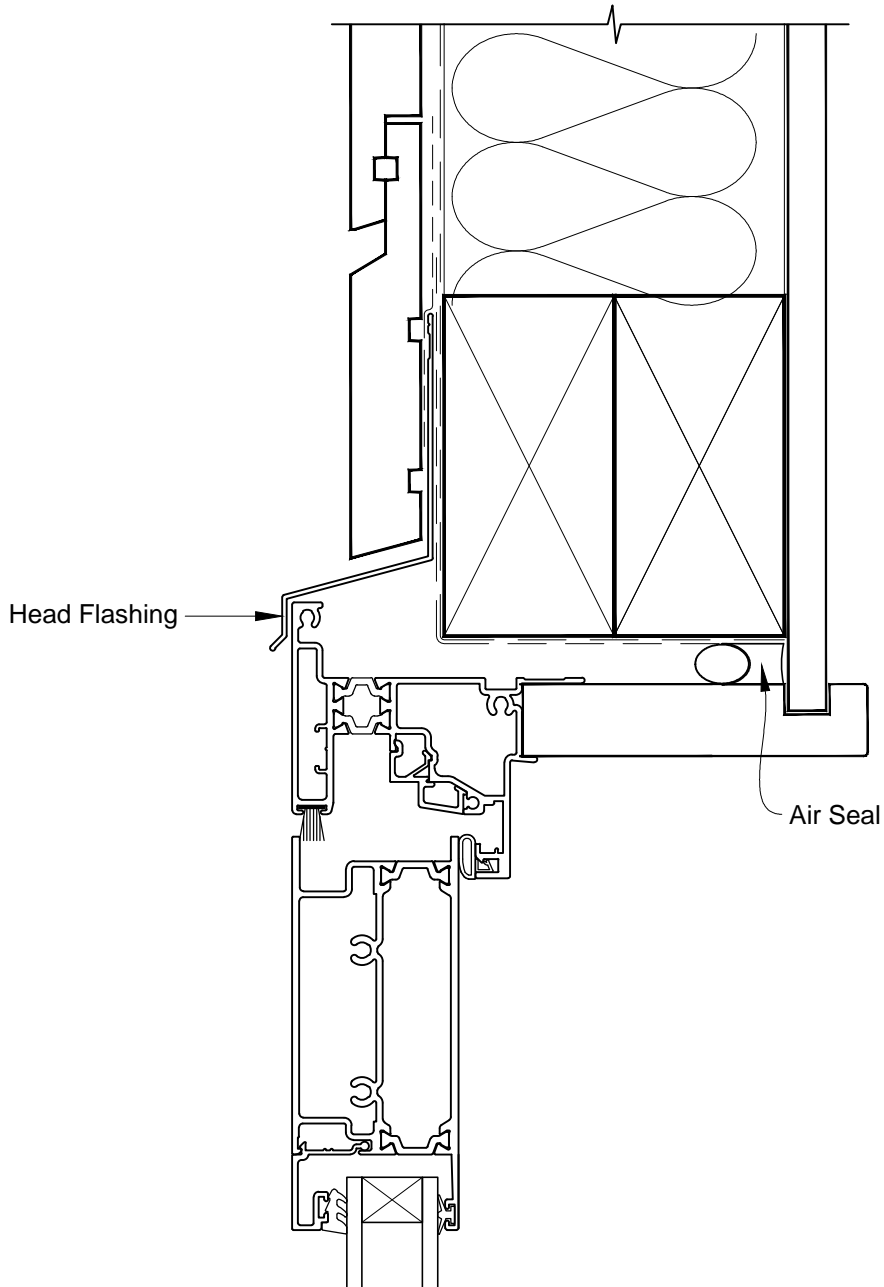


INSTALLATION DETAIL - METRO THERMAL HEART BIFOLD DOOR OPEN OUT ON RUSTICATED WEATHERBOARD DIRECT FIXED CLADDING

Date: 01.03.14

Scale: 1:2

CAD Ref.: MTBORW-DH



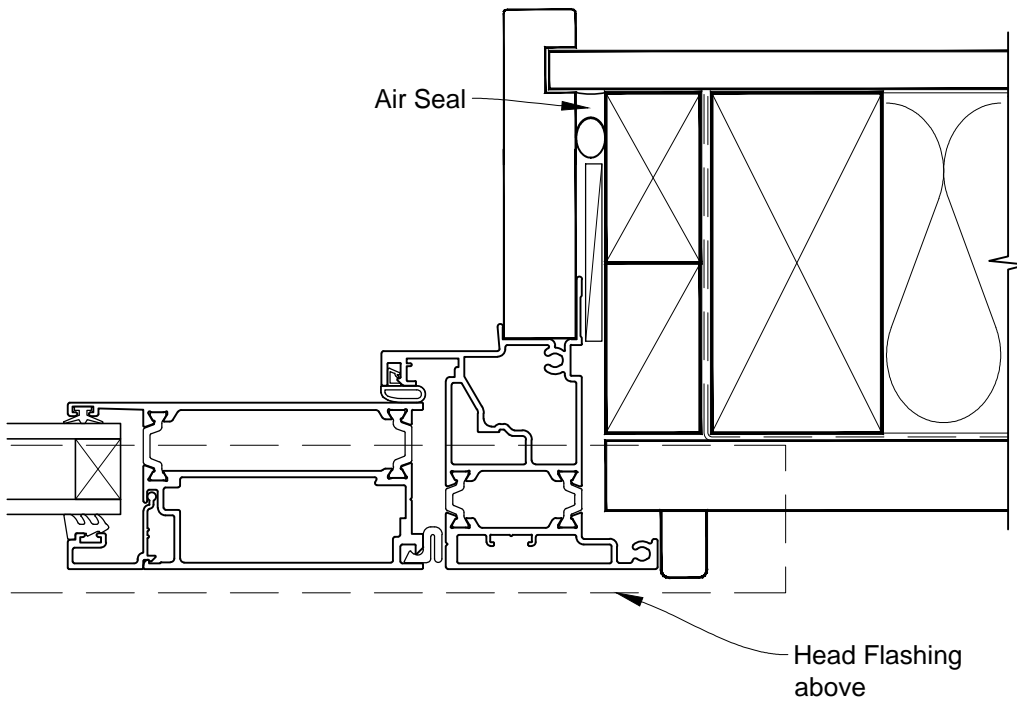


INSTALLATION DETAIL - METRO THERMAL HEART BIFOLD DOOR OPEN OUT ON RUSTICATED WEATHERBOARD DIRECT FIXED CLADDING

Date: 01.03.14

Scale: 1:2

CAD Ref.: MTBORW-DJ





INSTALLATION DETAIL - METRO THERMAL HEART BIFOLD DOOR OPEN OUT ON RUSTICATED WEATHERBOARD DIRECT FIXED CLADDING

Date: 01.03.14

Scale: 1:2

CAD Ref.: MTBORW-DS

