

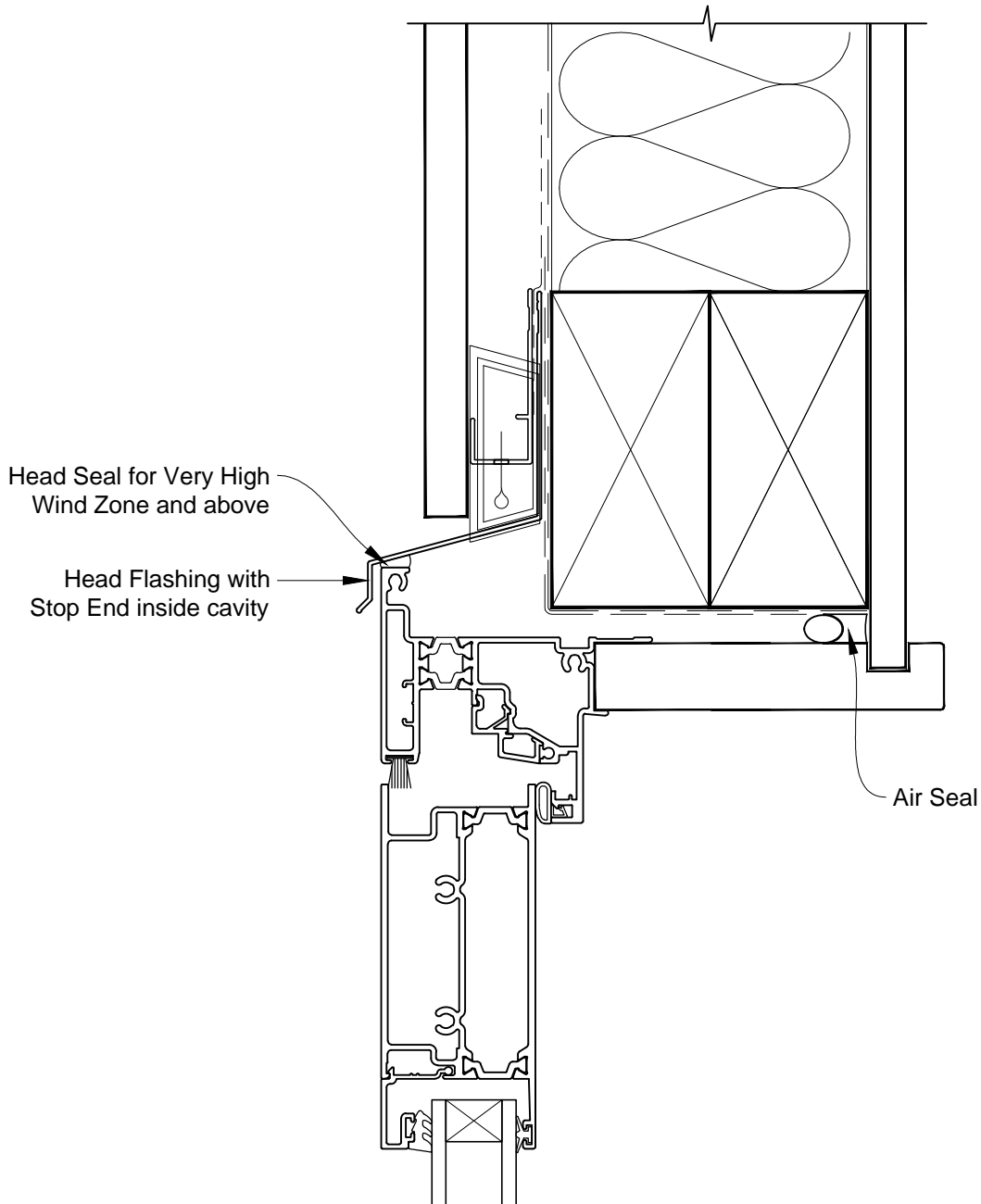


# INSTALLATION DETAIL - METRO THERMAL HEART BIFOLD DOOR OPEN OUT ON FLAT SHEET CAVITY CONSTRUCTION

Date: 01.03.14

Scale: 1:2

CAD Ref.: MTBOFS-CH



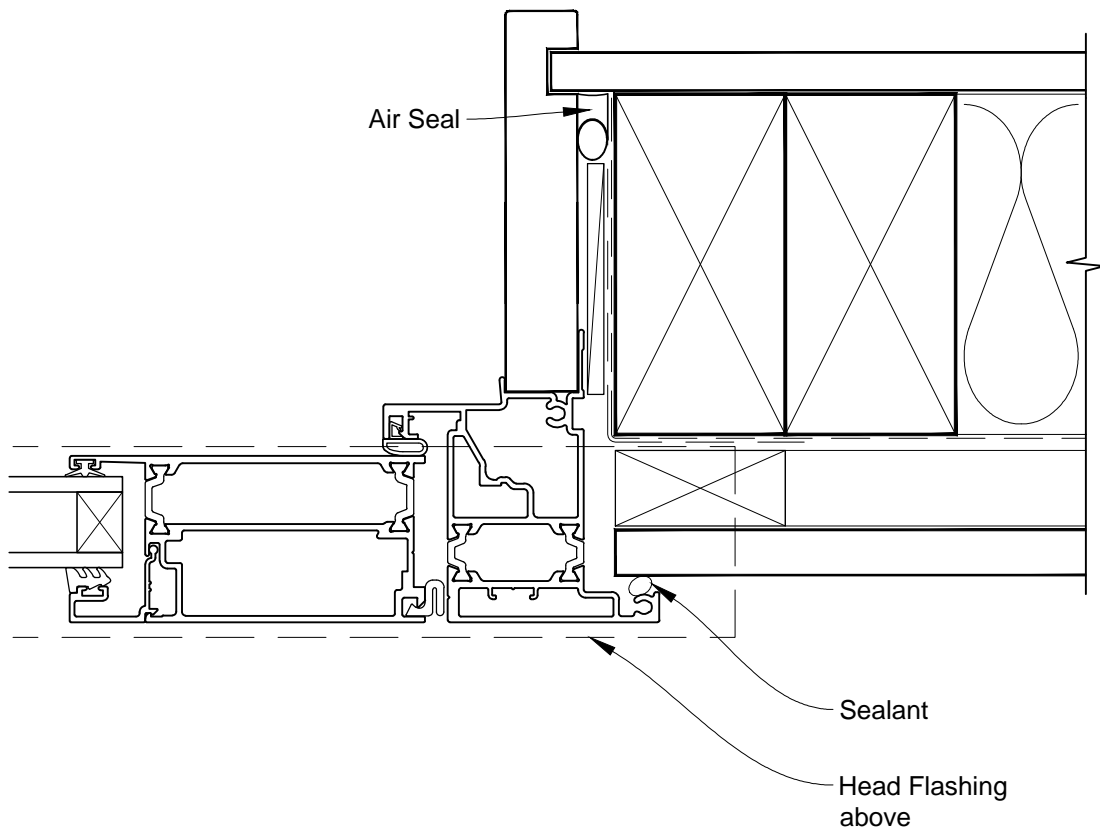


# INSTALLATION DETAIL - METRO THERMAL HEART BIFOLD DOOR OPEN OUT ON FLAT SHEET CAVITY CONSTRUCTION

Date: 01.03.14

Scale: 1:2

CAD Ref.: MTBOFS-CJ



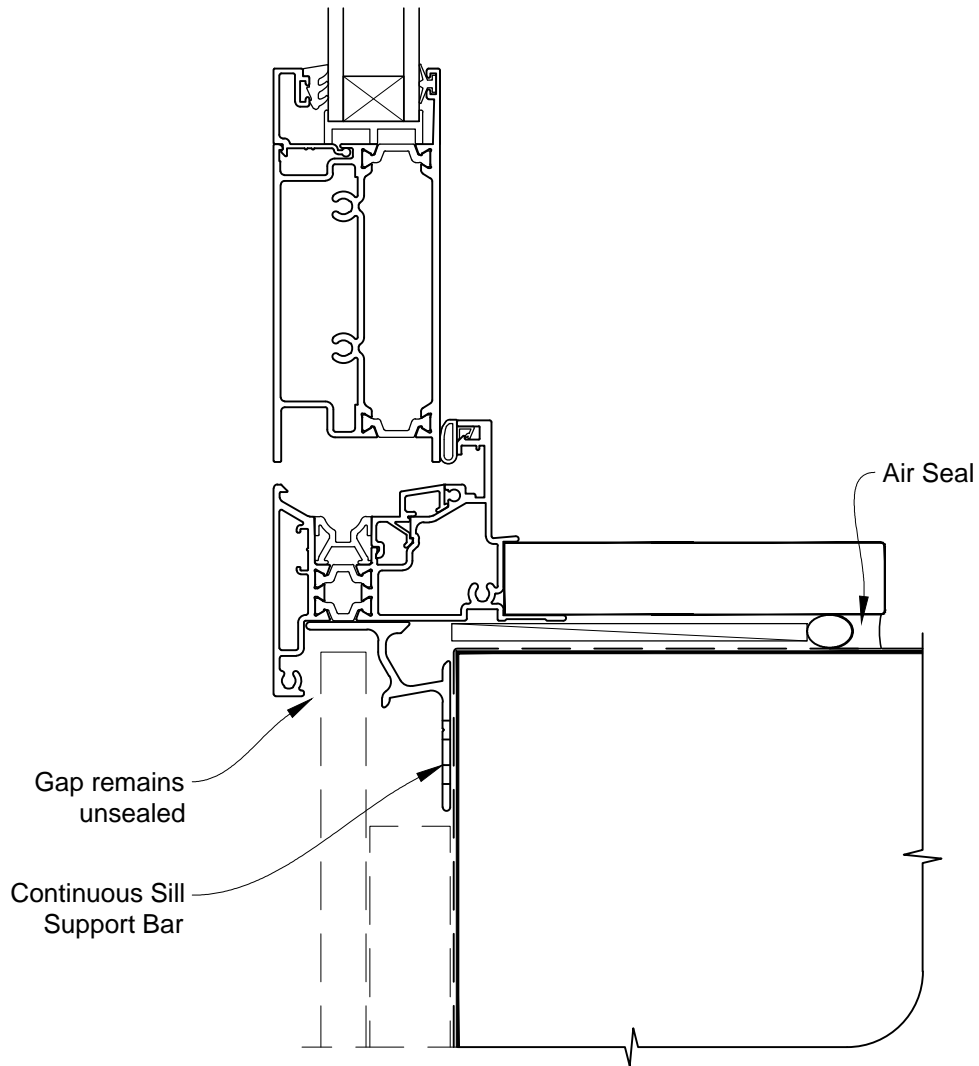


# INSTALLATION DETAIL - METRO THERMAL HEART BIFOLD DOOR OPEN OUT ON FLAT SHEET CAVITY CONSTRUCTION

Date: 01.03.14

Scale: 1:2

CAD Ref.: MTBOFS-CS



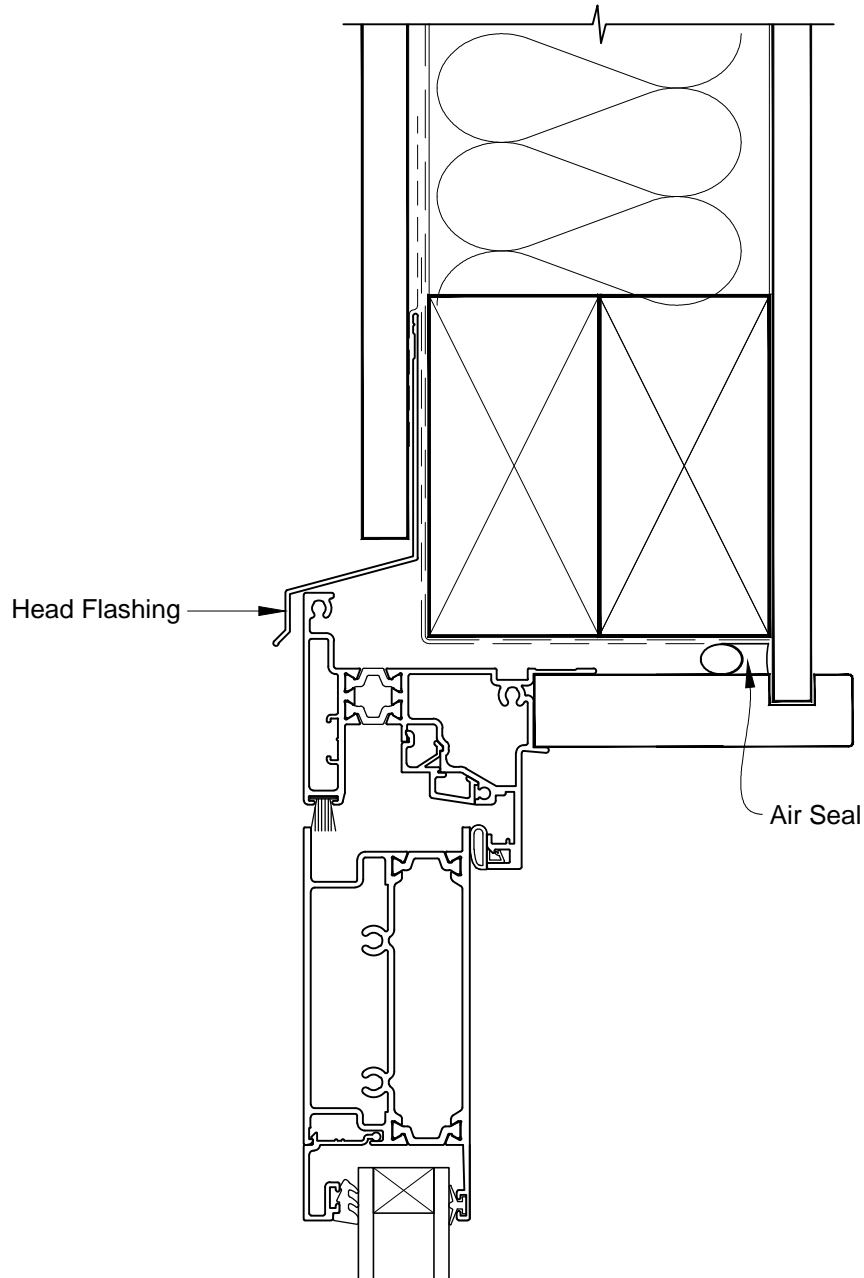


# INSTALLATION DETAIL - METRO THERMAL HEART BIFOLD DOOR OPEN OUT ON FLAT SHEET DIRECT FIXED CLADDING

Date: 01.03.14

Scale: 1:2

CAD Ref.: MTBOFS-DH



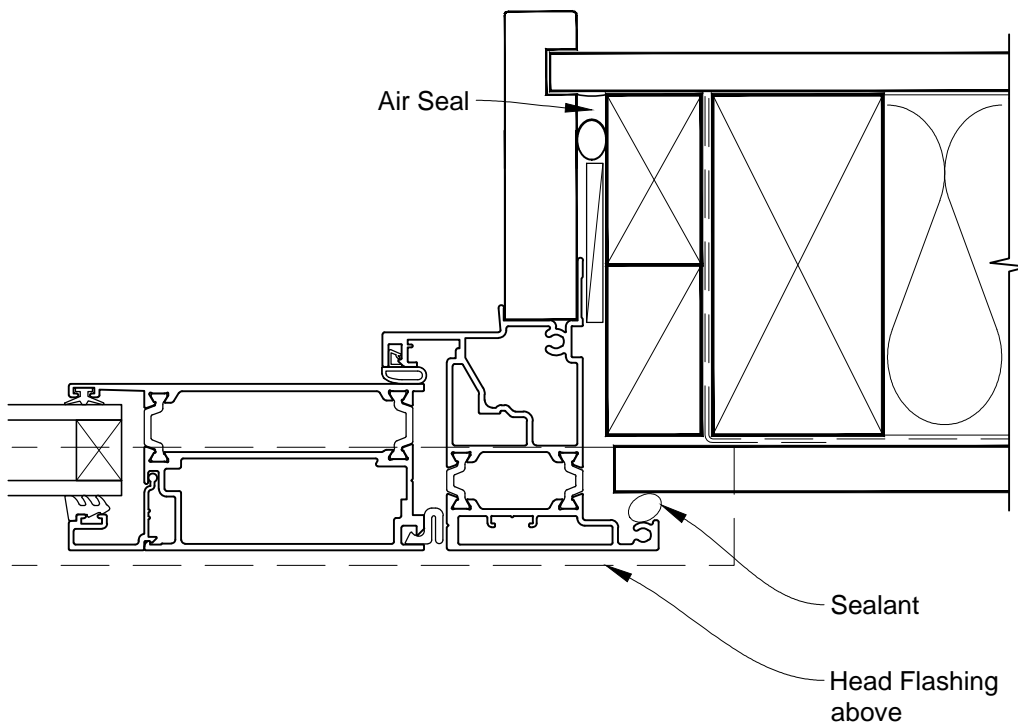


**INSTALLATION DETAIL - METRO THERMAL HEART  
BIFOLD DOOR OPEN OUT ON FLAT SHEET  
DIRECT FIXED CLADDING**

Date: 01.03.14

Scale: 1:2

CAD Ref.: MTBOFS-DJ





# INSTALLATION DETAIL - METRO THERMAL HEART BIFOLD DOOR OPEN OUT ON FLAT SHEET DIRECT FIXED CLADDING

Date: 01.03.14

Scale: 1:2

CAD Ref.: MTBOFS-DS

