

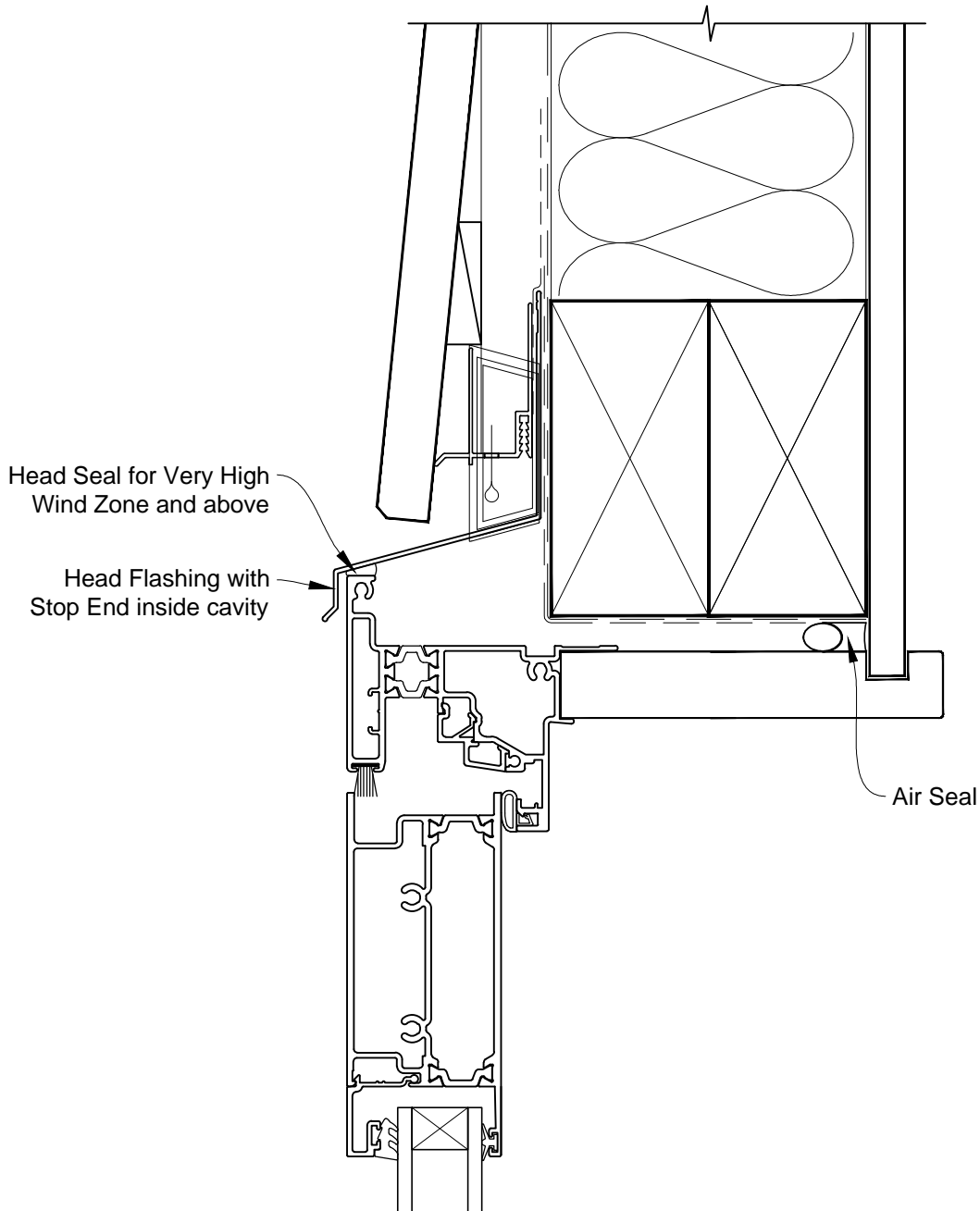


# INSTALLATION DETAIL - METRO THERMAL HEART BIFOLD DOOR OPEN OUT ON BEVELBACK WEATHERBOARD CAVITY CONSTRUCTION

Date: 01.03.14

Scale: 1:2

CAD Ref.: MTBOBW-CH



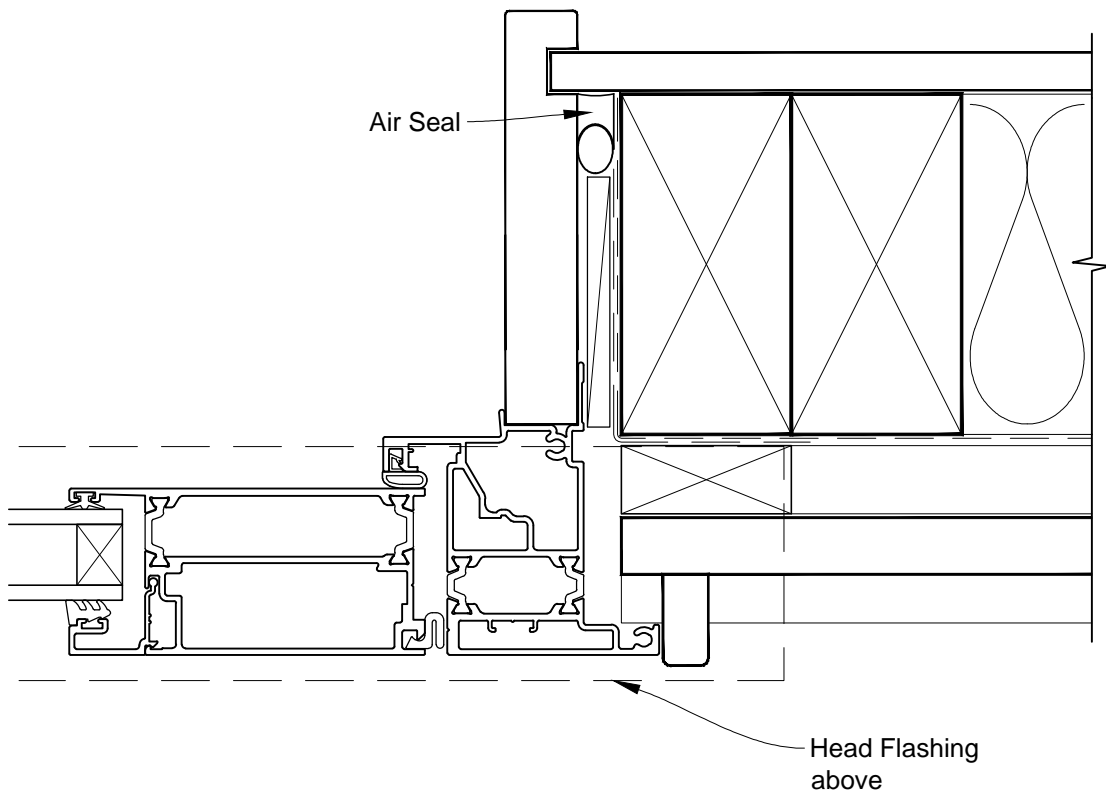


# INSTALLATION DETAIL - METRO THERMAL HEART BIFOLD DOOR OPEN OUT ON BEVELBACK WEATHERBOARD CAVITY CONSTRUCTION

Date: 01.03.14

Scale: 1:2

CAD Ref.: MTBOBW-CJ



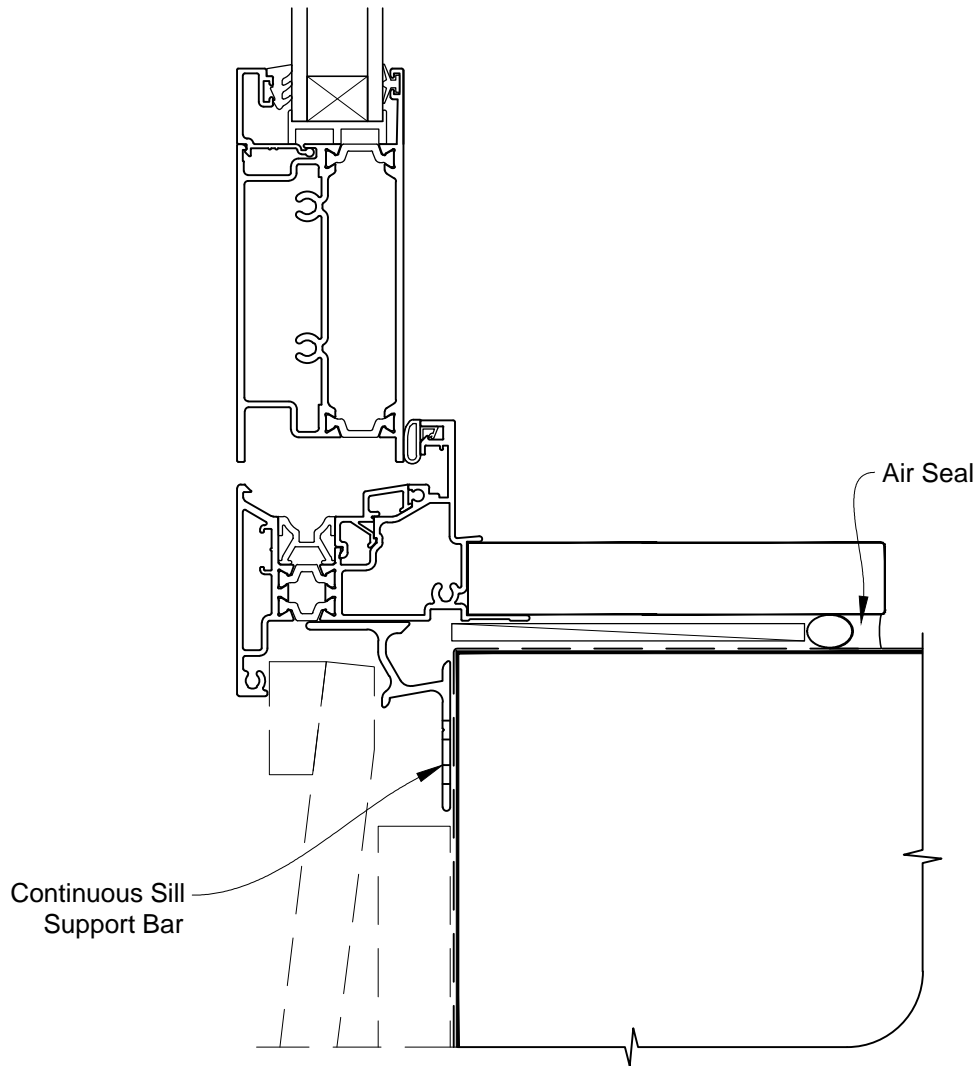


# INSTALLATION DETAIL - METRO THERMAL HEART BIFOLD DOOR OPEN OUT ON BEVELBACK WEATHERBOARD CAVITY CONSTRUCTION

Date: 01.03.14

Scale: 1:2

CAD Ref.: MTBOBW-CS



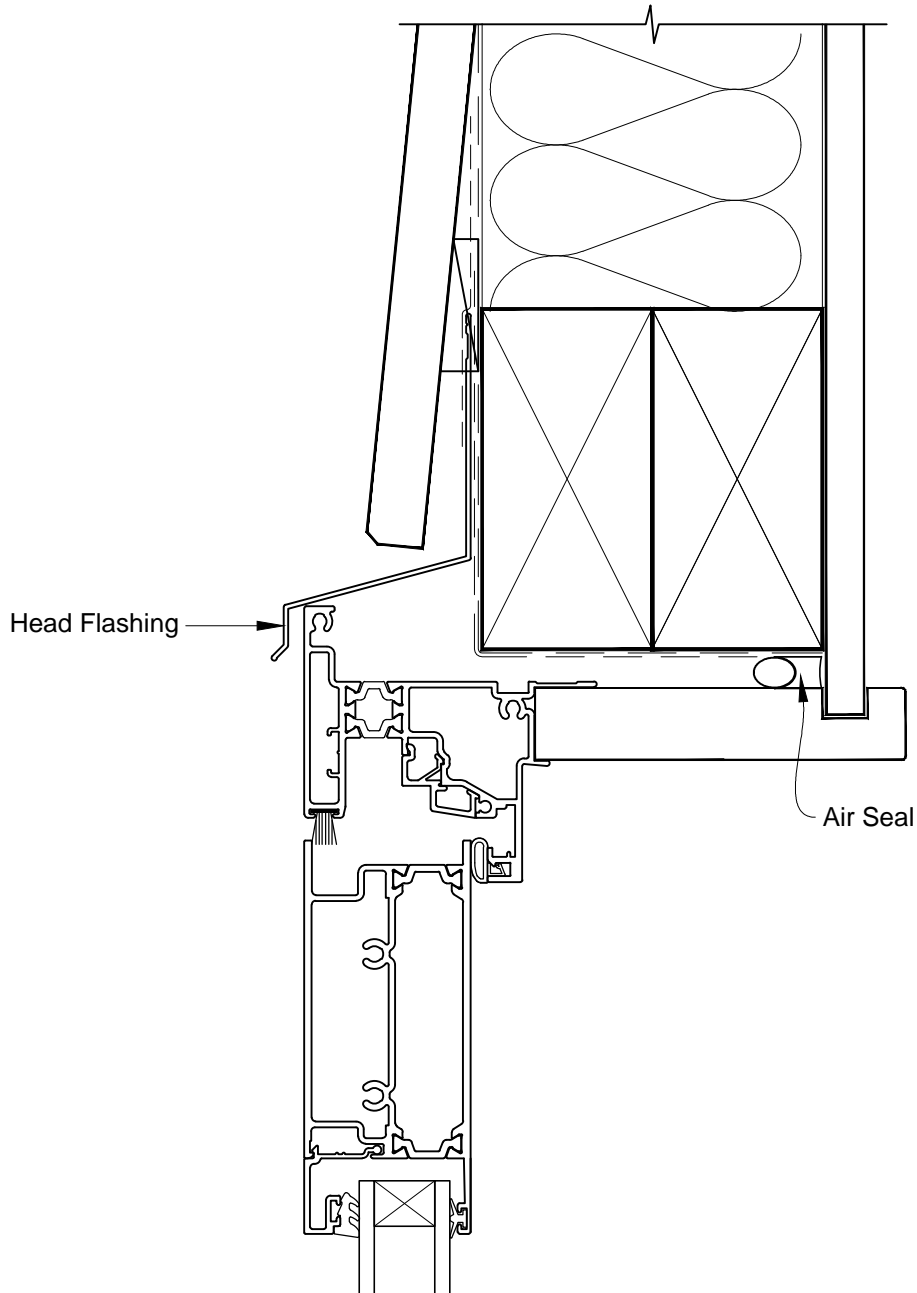


# INSTALLATION DETAIL - METRO THERMAL HEART BIFOLD DOOR OPEN OUT ON BEVELBACK WEATHERBOARD DIRECT FIXED CLADDING

Date: 01.03.14

Scale: 1:2

CAD Ref.: MTBOBW-DH



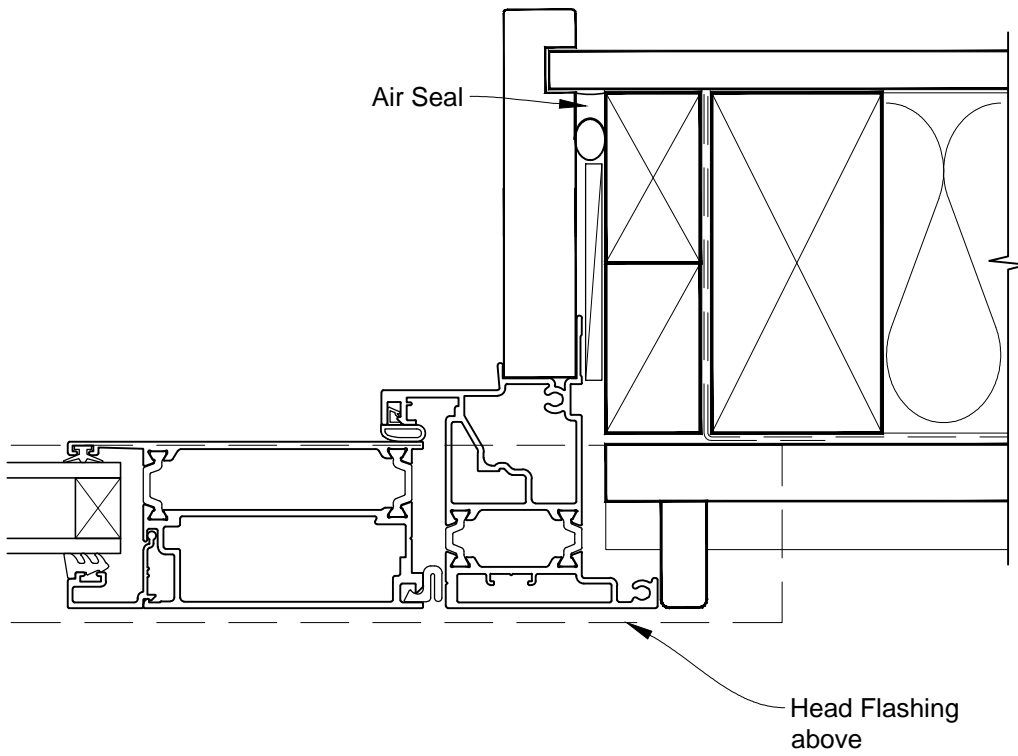


**INSTALLATION DETAIL - METRO THERMAL HEART  
BIFOLD DOOR OPEN OUT ON BEVELBACK WEATHERBOARD  
DIRECT FIXED CLADDING**

Date: 01.03.14

Scale: 1:2

CAD Ref.: MTBOBW-DJ





# INSTALLATION DETAIL - METRO THERMAL HEART BIFOLD DOOR OPEN OUT ON BEVELBACK WEATHERBOARD DIRECT FIXED CLADDING

Date: 01.03.14

Scale: 1:2

CAD Ref.: MTBOBW-DS

