

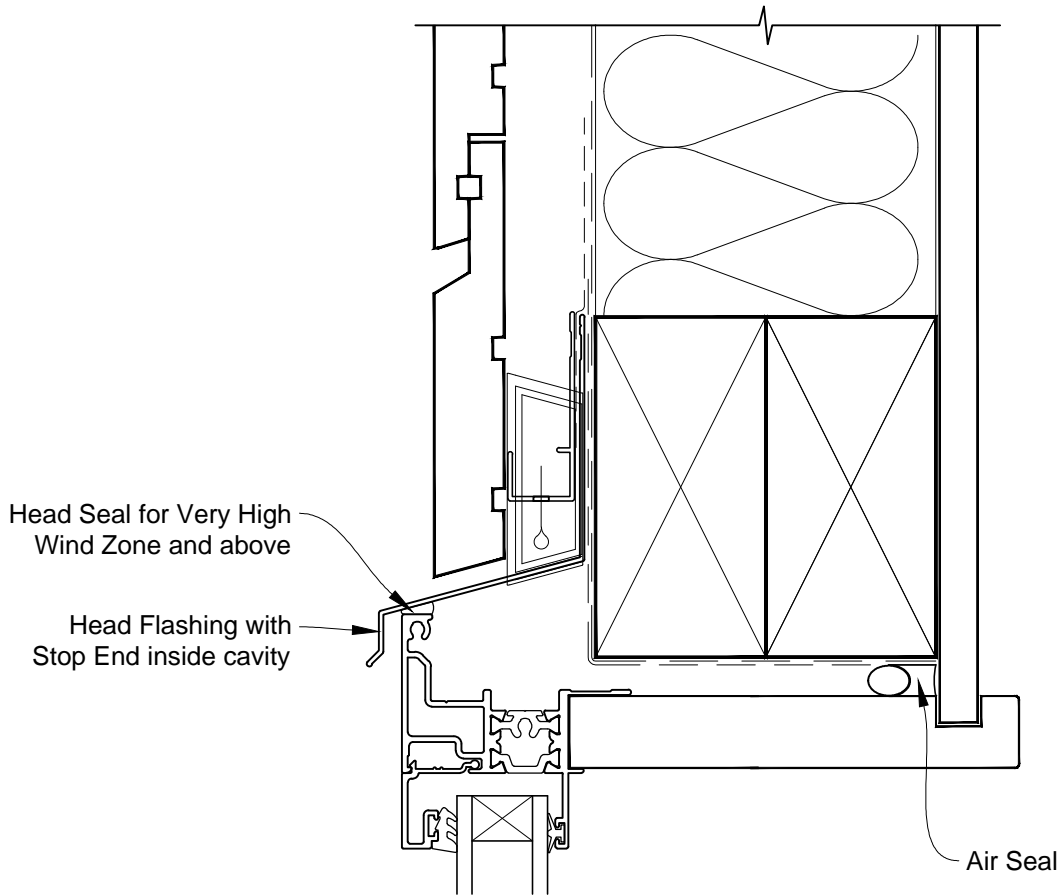


# INSTALLATION DETAIL - METRO THERMAL HEART AWNING WINDOW ON RUSTICATED WEATHERBOARD CAVITY CONSTRUCTION

Date: 01.03.14

Scale: 1:2

CAD Ref.: MTAWRW-CH



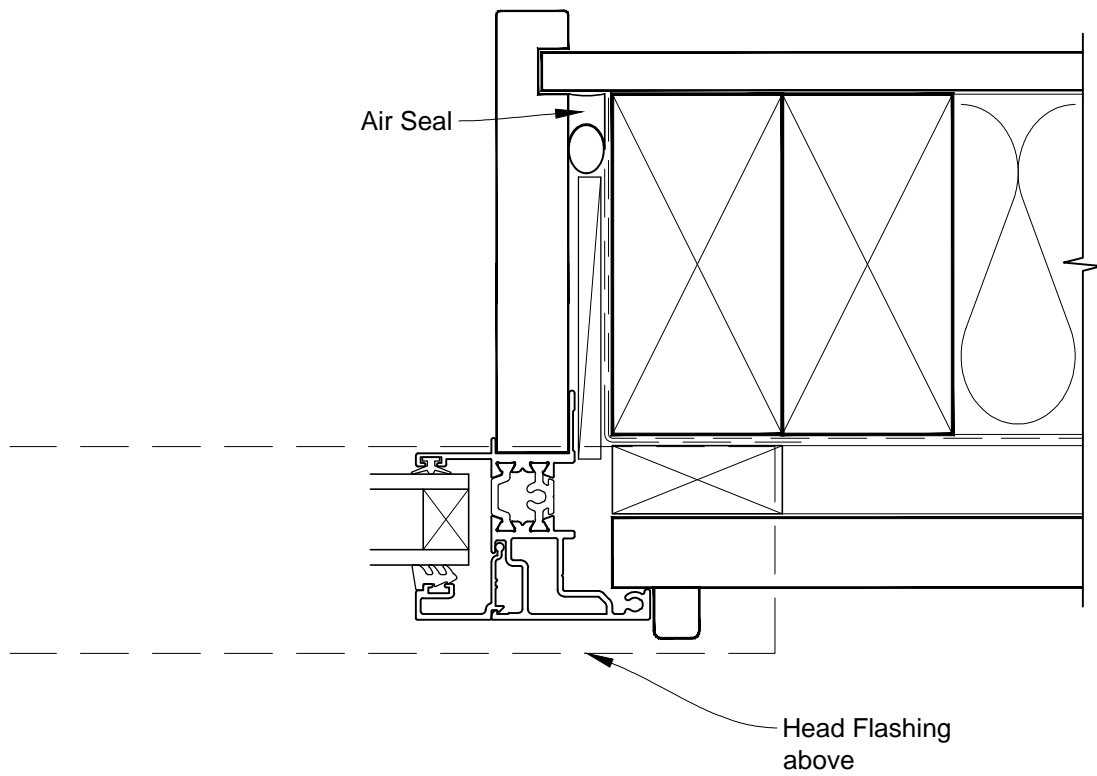


# INSTALLATION DETAIL - METRO THERMAL HEART AWNING WINDOW ON RUSTICATED WEATHERBOARD CAVITY CONSTRUCTION

Date: 01.03.14

Scale: 1:2

CAD Ref.: MTAWRW-CJ



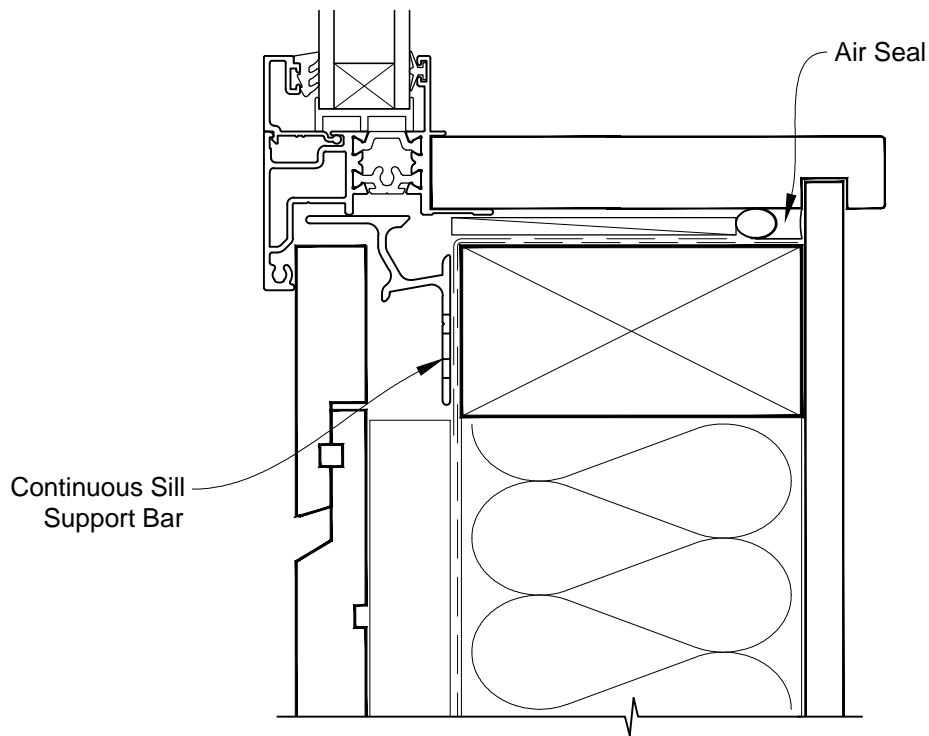


# INSTALLATION DETAIL - METRO THERMAL HEART AWNING WINDOW ON RUSTICATED WEATHERBOARD CAVITY CONSTRUCTION

Date: 01.03.14

Scale: 1:2

CAD Ref.: MTAWRW-CS



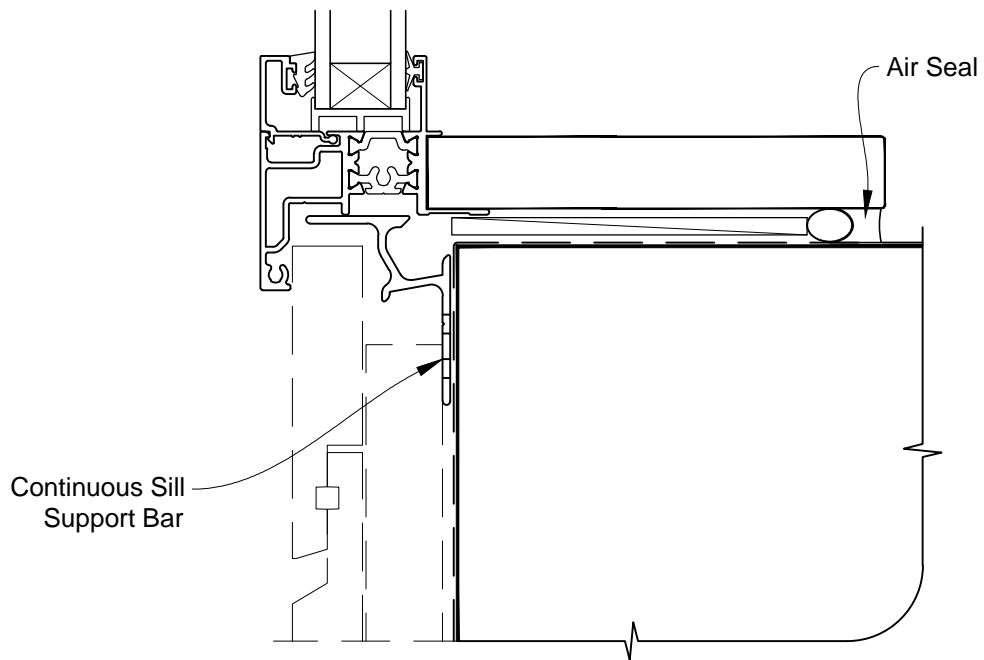


# INSTALLATION DETAIL - METRO THERMAL HEART AWNING WINDOW ON RUSTICATED WEATHERBOARD CAVITY CONSTRUCTION

Date: 01.03.14

Scale: 1:2

CAD Ref.: MTAWRW-CS2



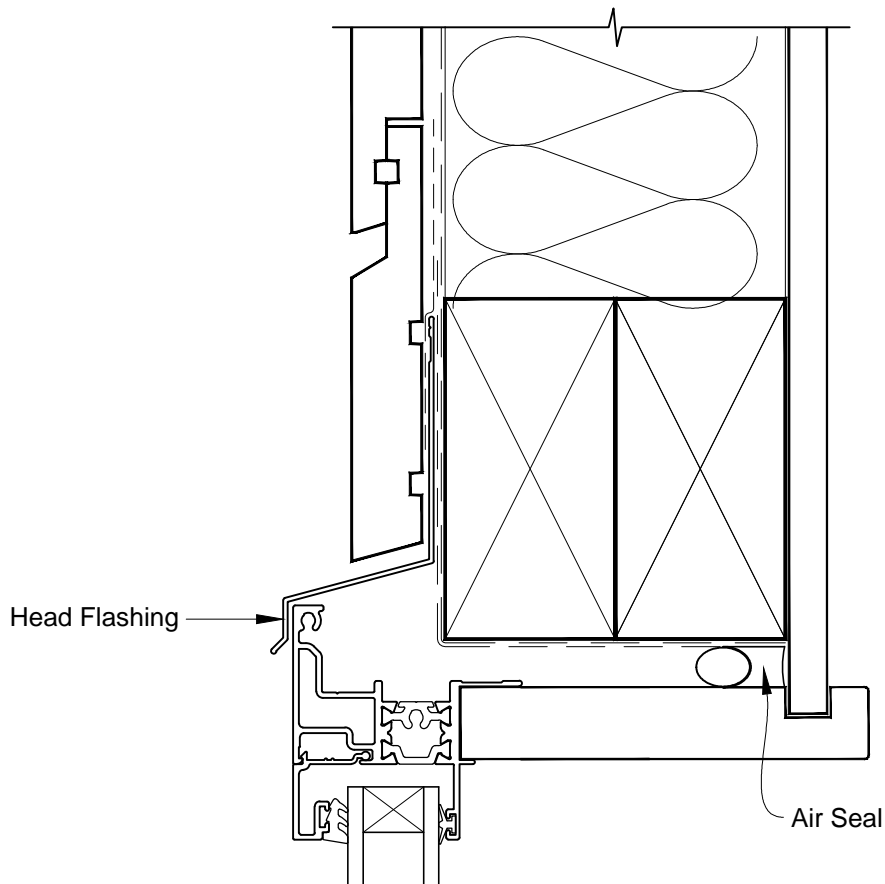


# INSTALLATION DETAIL - METRO THERMAL HEART AWNING WINDOW ON RUSTICATED WEATHERBOARD DIRECT FIXED CLADDING

Date: 01.03.14

Scale: 1:2

CAD Ref.: MTAWRW-DH



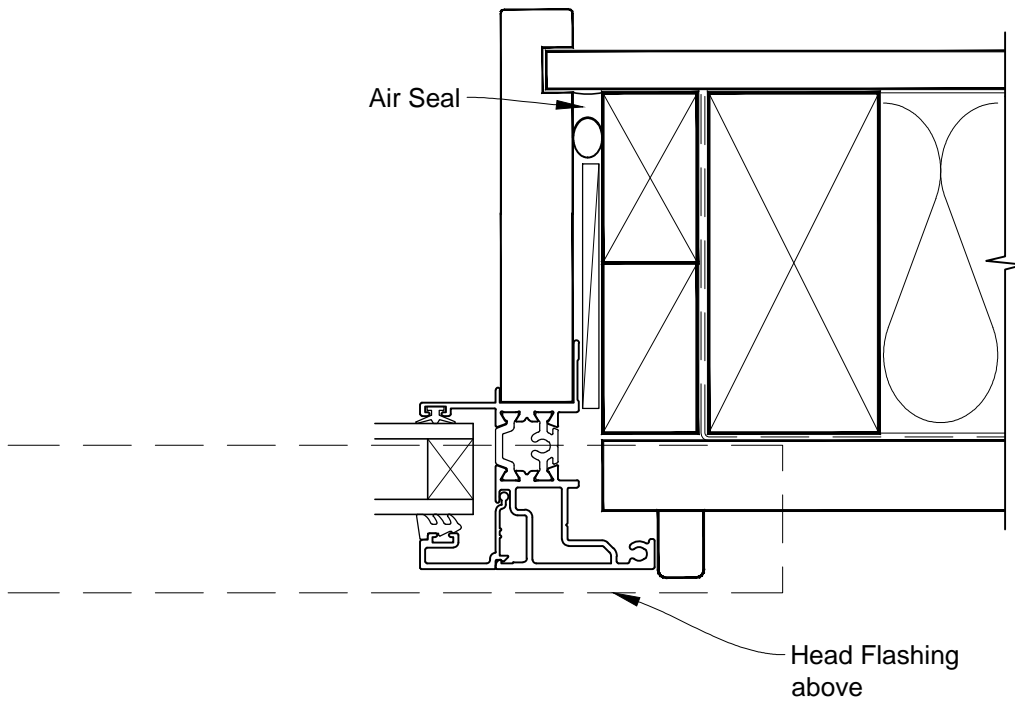


# INSTALLATION DETAIL - METRO THERMAL HEART AWNING WINDOW ON RUSTICATED WEATHERBOARD DIRECT FIXED CLADDING

Date: 01.03.14

Scale: 1:2

CAD Ref.: MTAWRW-DJ



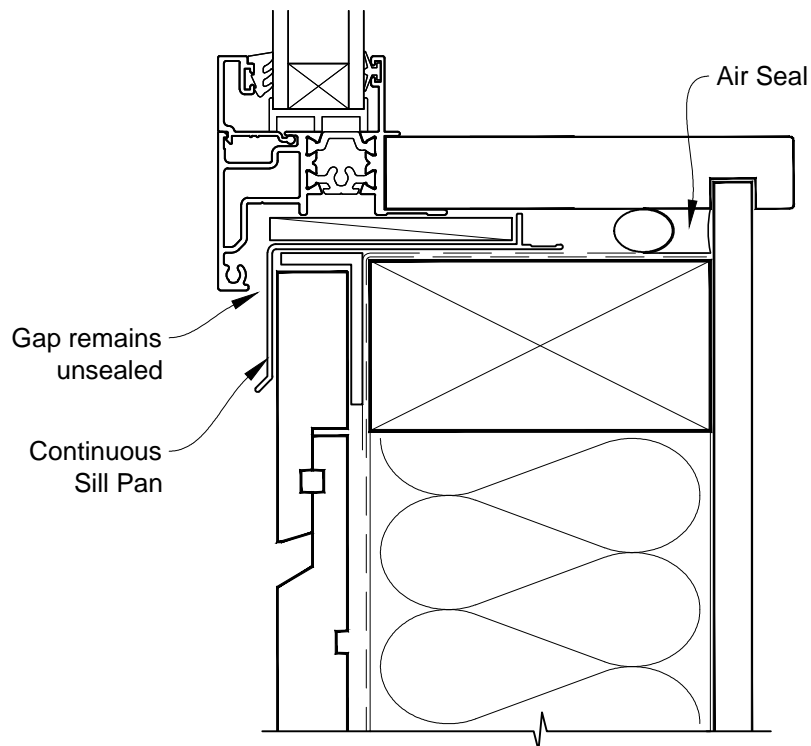


# INSTALLATION DETAIL - METRO THERMAL HEART AWNING WINDOW ON RUSTICATED WEATHERBOARD DIRECT FIXED CLADDING

Date: 01.03.14

Scale: 1:2

CAD Ref.: MTAWRW-DS





# INSTALLATION DETAIL - METRO THERMAL HEART AWNING WINDOW ON RUSTICATED WEATHERBOARD DIRECT FIXED CLADDING

Date: 01.03.14

Scale: 1:2

CAD Ref.: MTAWRW-DS2

