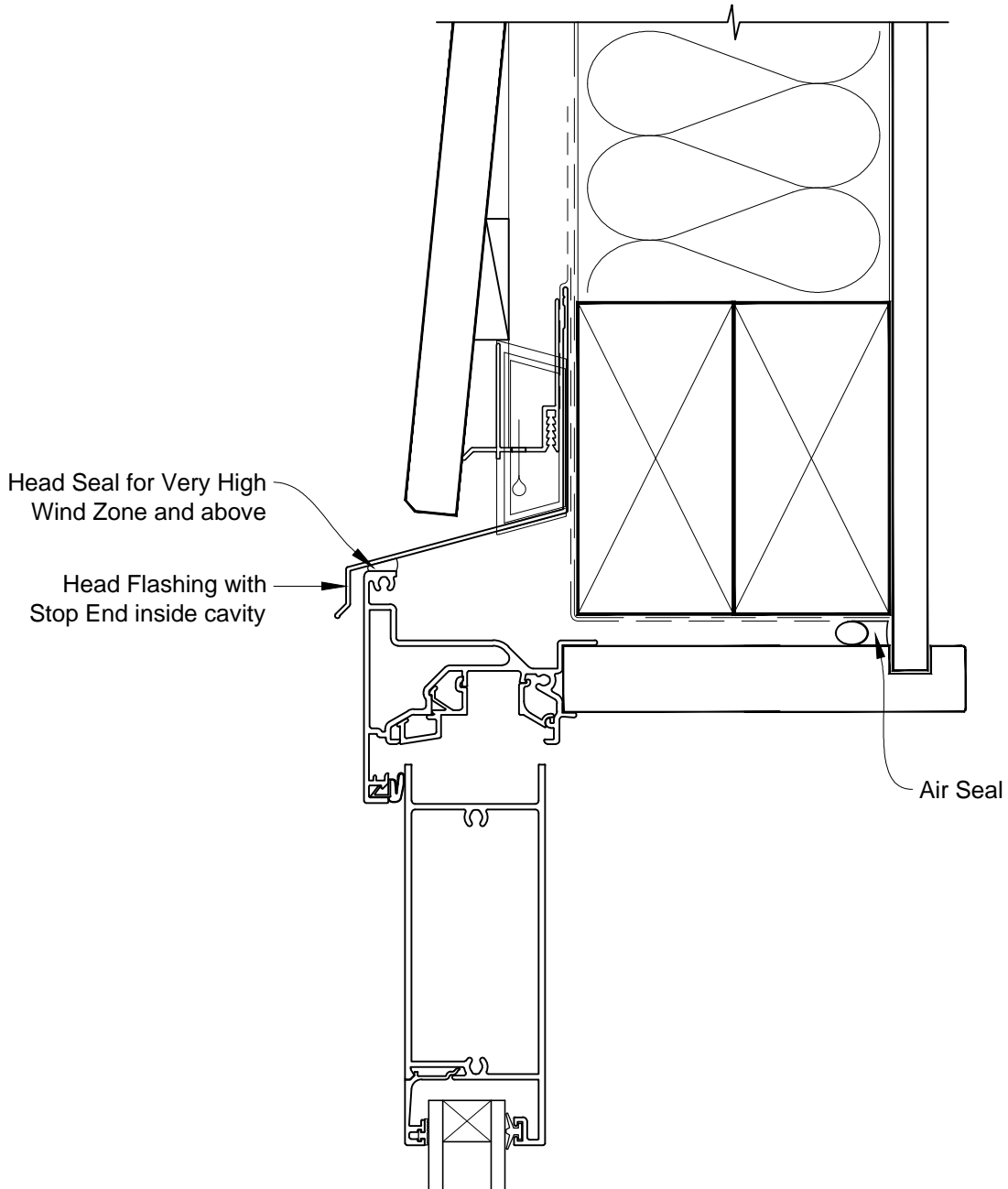


**INSTALLATION DETAIL - METRO SERIES
BIFOLD DOOR OPEN IN ON BEVELBACK WEATHERBOARD
CAVITY CONSTRUCTION**

Date: 01.03.14 Scale: 1:2 CAD Ref.: MSBIBW-CH

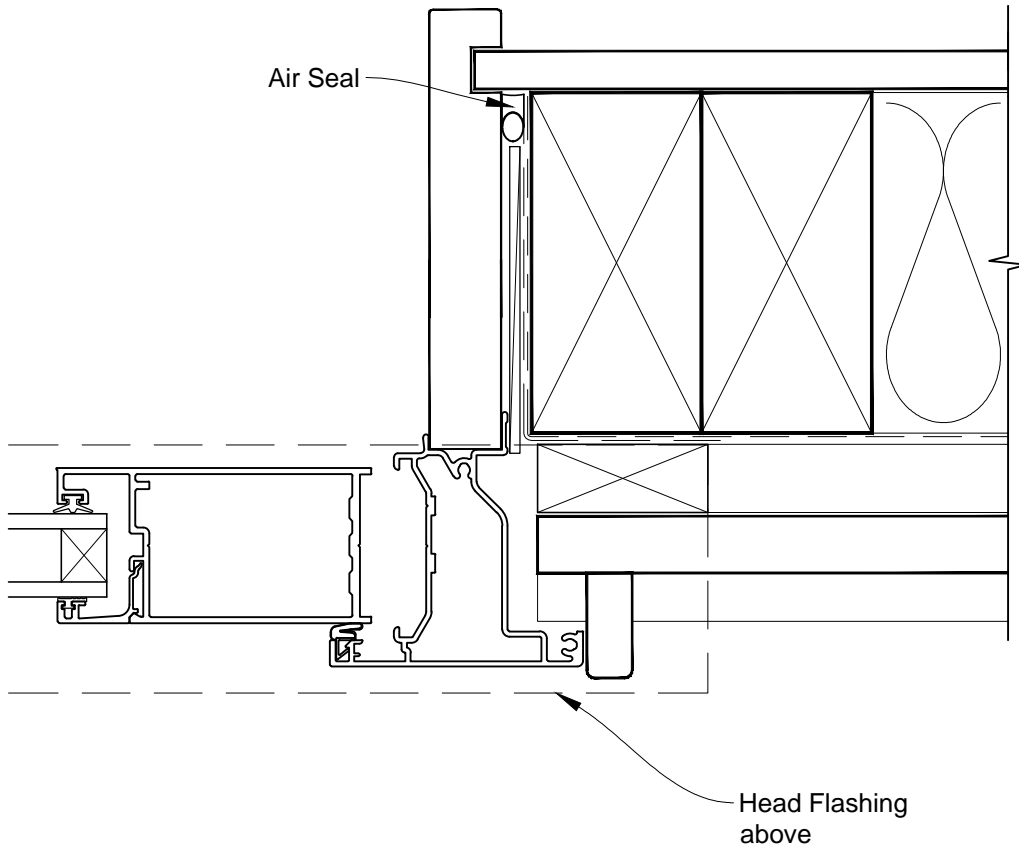


**INSTALLATION DETAIL - METRO SERIES
BIFOLD DOOR OPEN IN ON BEVELBACK WEATHERBOARD
CAVITY CONSTRUCTION**

Date: 01.03.14

Scale: 1:2

CAD Ref.: MSBIBW-CJ

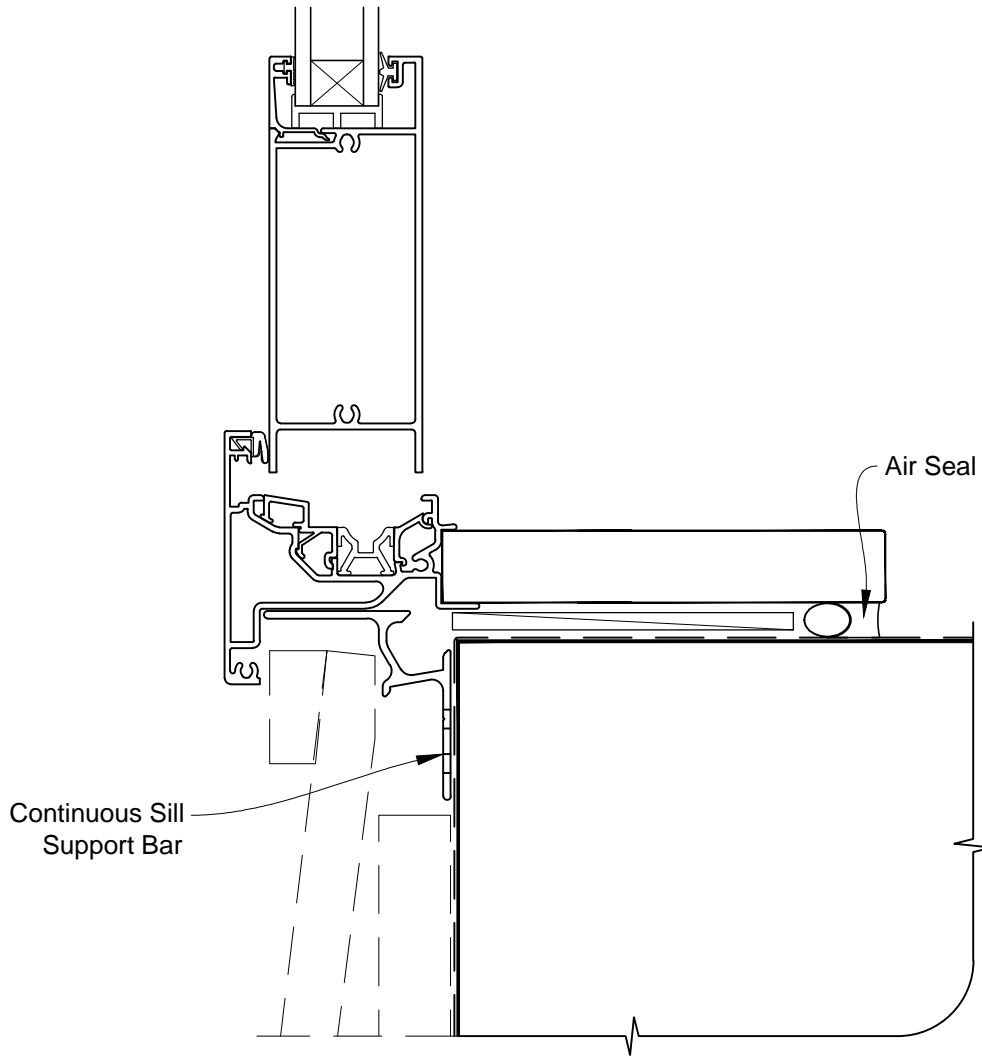


**INSTALLATION DETAIL - METRO SERIES
BIFOLD DOOR OPEN IN ON BEVELBACK WEATHERBOARD
CAVITY CONSTRUCTION**

Date: 01.03.14

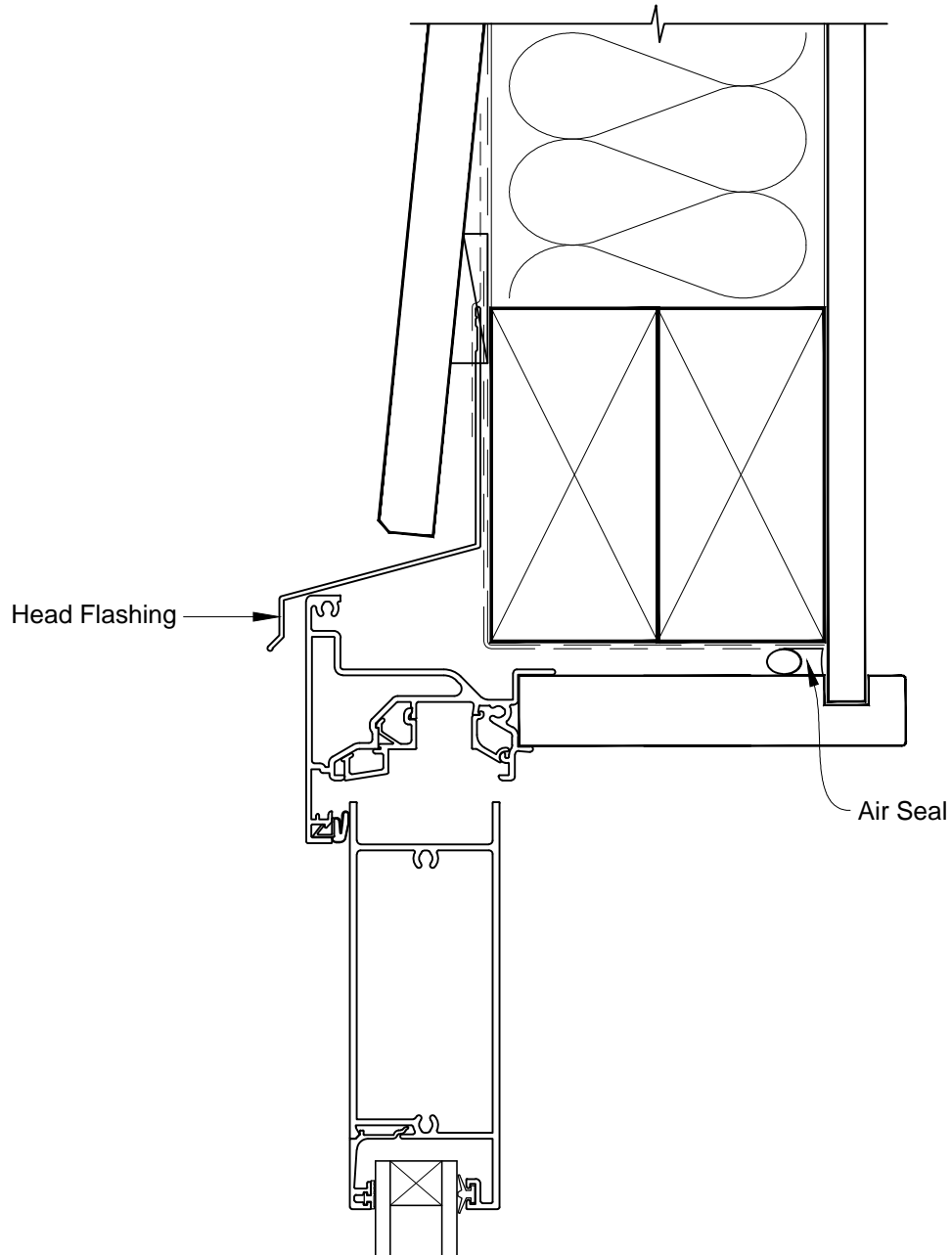
Scale: 1:2

CAD Ref.: MSBIBW-CS



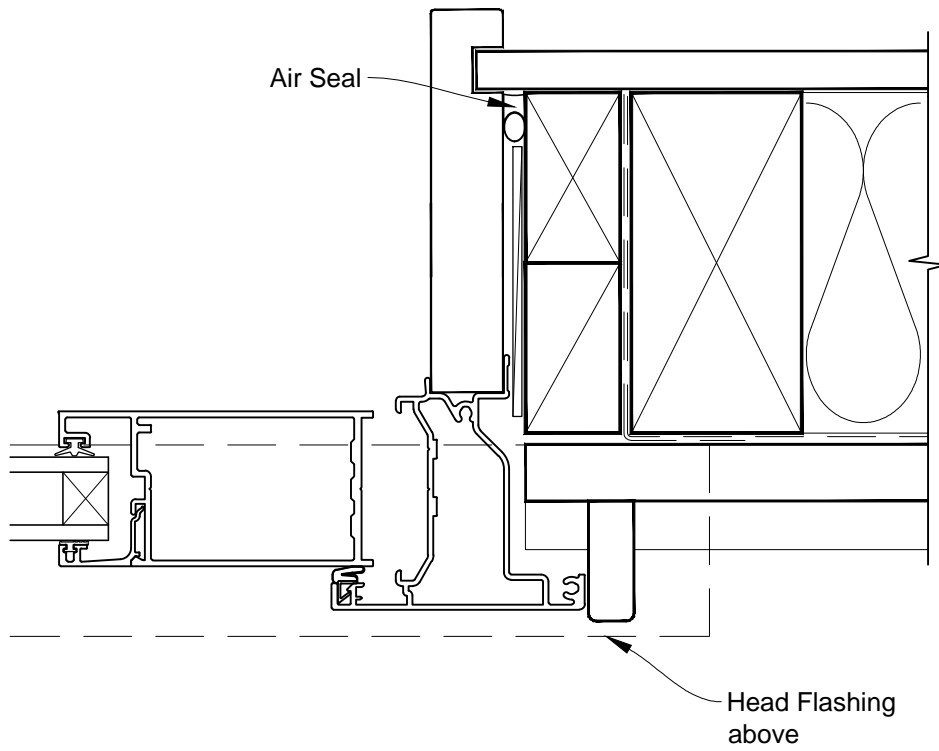
**INSTALLATION DETAIL - METRO SERIES
BIFOLD DOOR OPEN IN ON BEVELBACK WEATHERBOARD
DIRECT FIXED CLADDING**

Date: 01.03.14 Scale: 1:2 CAD Ref.: MSBIBW-DH



**INSTALLATION DETAIL - METRO SERIES
BIFOLD DOOR OPEN IN ON BEVELBACK WEATHERBOARD
DIRECT FIXED CLADDING**

Date: 01.03.14 Scale: 1:2 CAD Ref.: MSBIBW-DJ



**INSTALLATION DETAIL - METRO SERIES
BIFOLD DOOR OPEN IN ON BEVELBACK WEATHERBOARD
DIRECT FIXED CLADDING**

Date: 01.03.14

Scale: 1:2

CAD Ref.: MSBIBW-DS

