

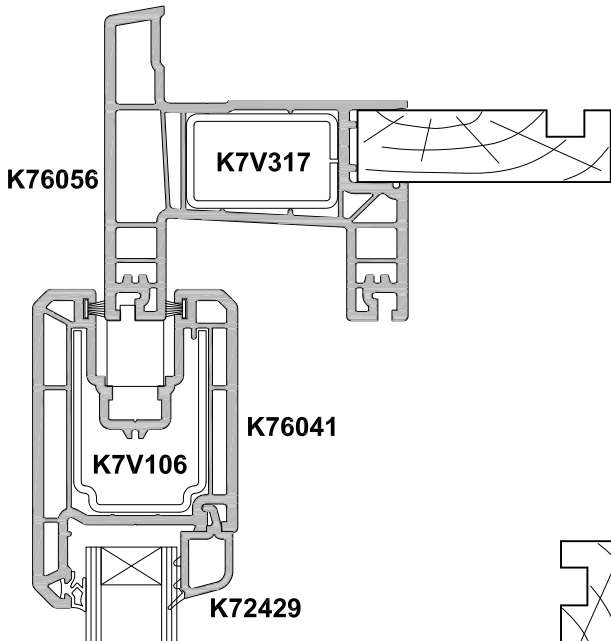


KLIMA SERIES, SLIDING DOOR
TWO PANELS SF
CROSS SECTION

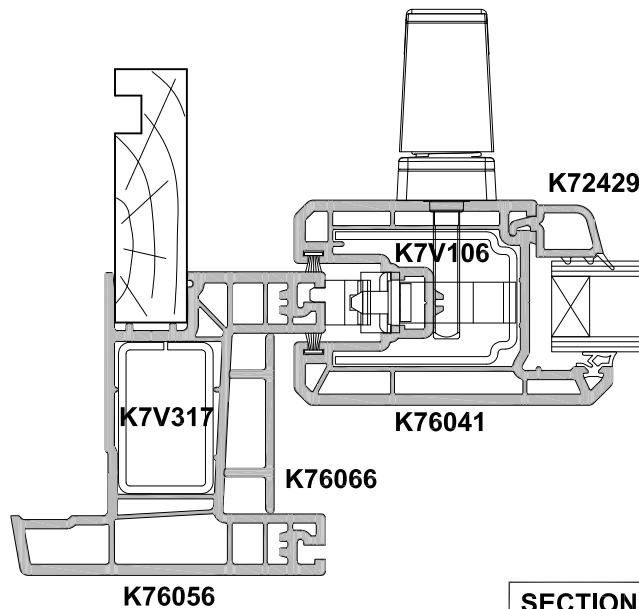
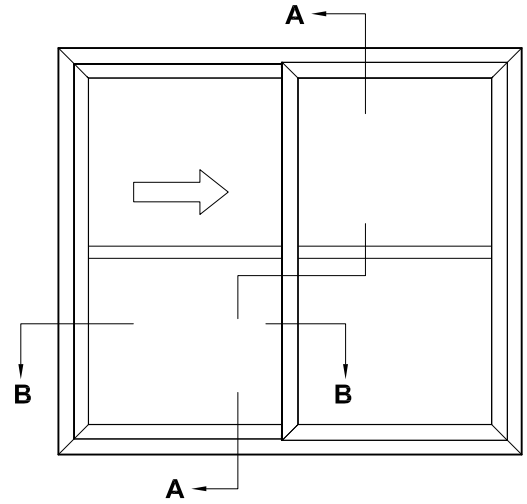
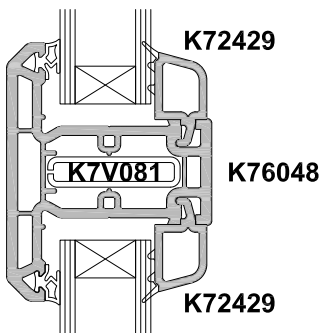
CAD REF. VKSD02-0

DATE
01.01.17

SCALE
1:2



SECTION A-A



SECTION B-B

