

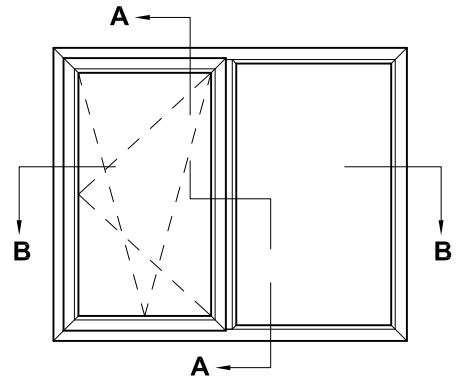
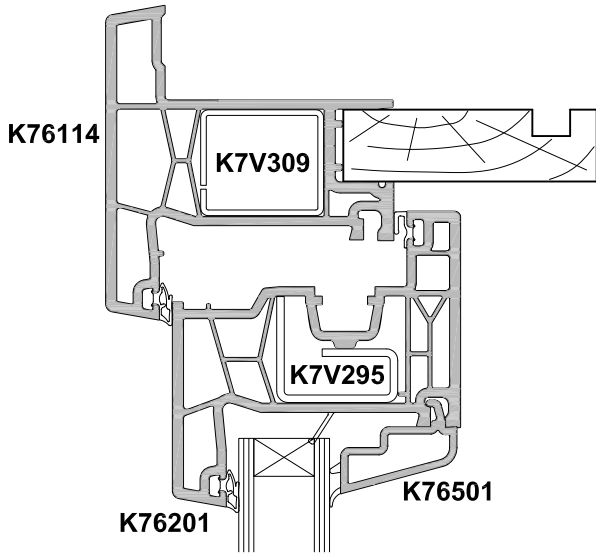


**KLIMA SERIES**  
**AWNING WINDOW, TILT AND TURN**  
**CROSS SECTION**

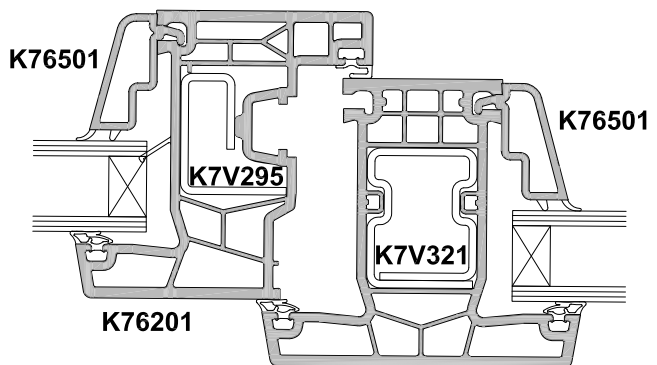
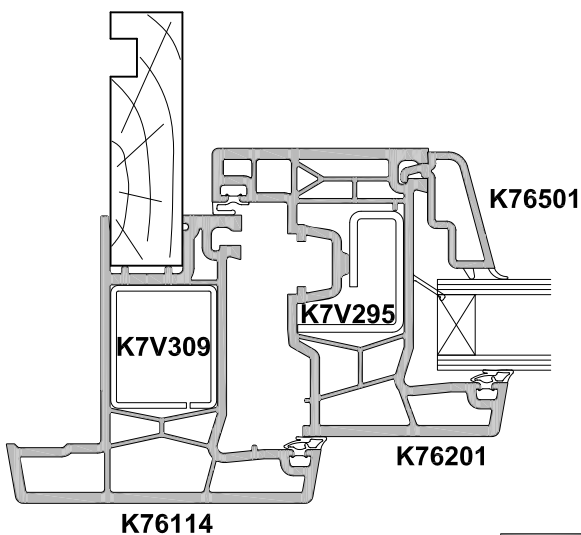
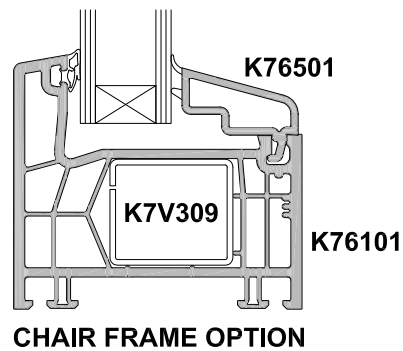
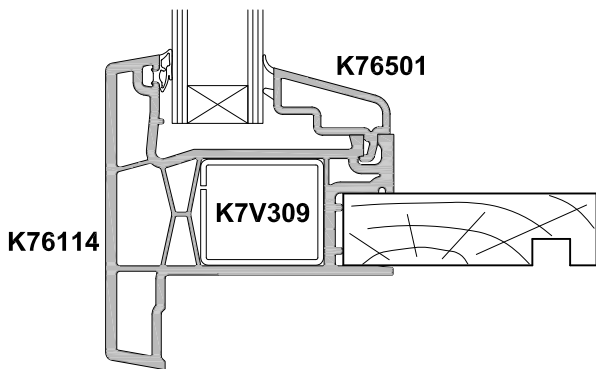
CAD REF. VKAW03-0

DATE  
01.01.17

SCALE  
1:2



**SECTION A-A**



**SECTION B-B**