

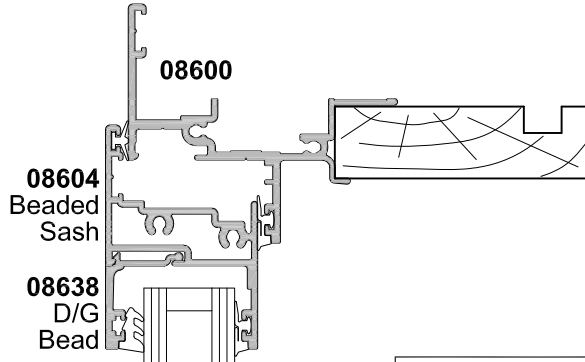


40MM WINDOW SERIES
FACING FRAME
AWNING WINDOW, DOUBLE GLAZED
CROSS SECTION

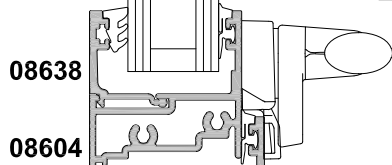
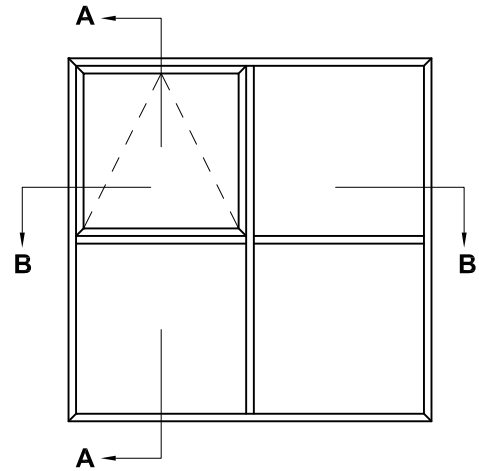
CAD REF. VC4002-0

DATE
01.06.11

SCALE
1:2

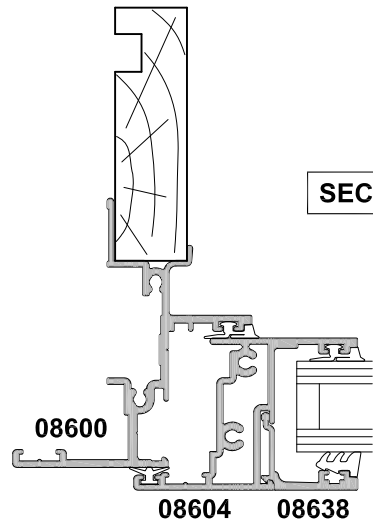
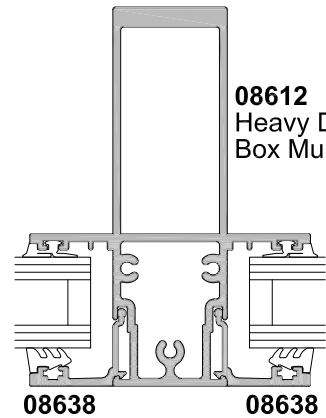
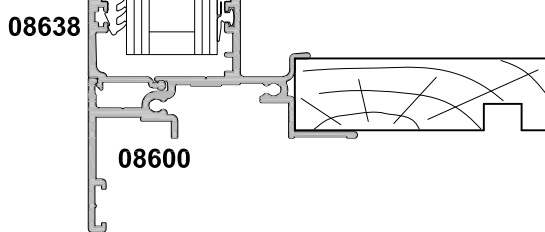


SECTION A-A



08638
08627 Internal Box Transom
Refer to tables for span requirements

08612
Heavy Duty Internal
Box Mullion



08611 Internal Box Mullion
Refer to tables for span requirements

SECTION B-B

